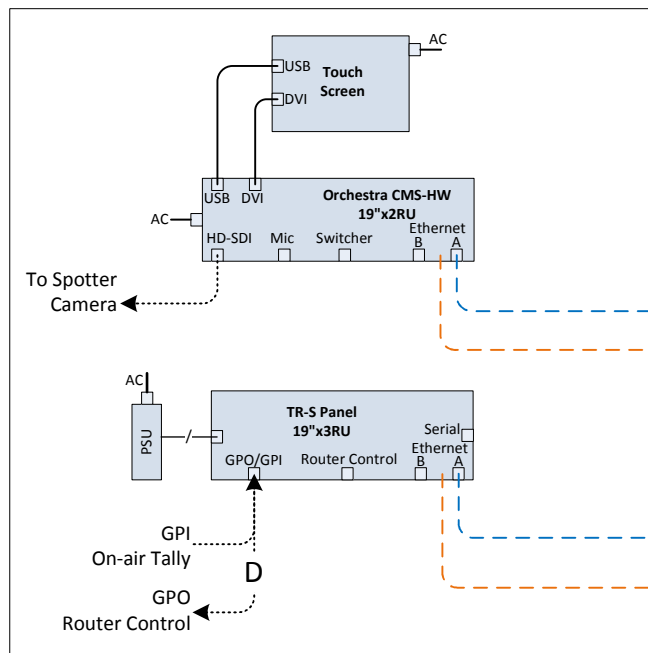
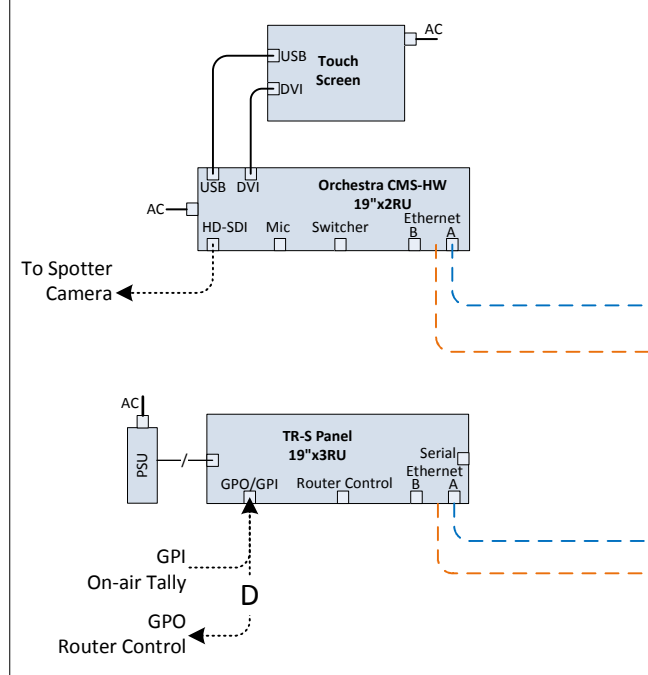


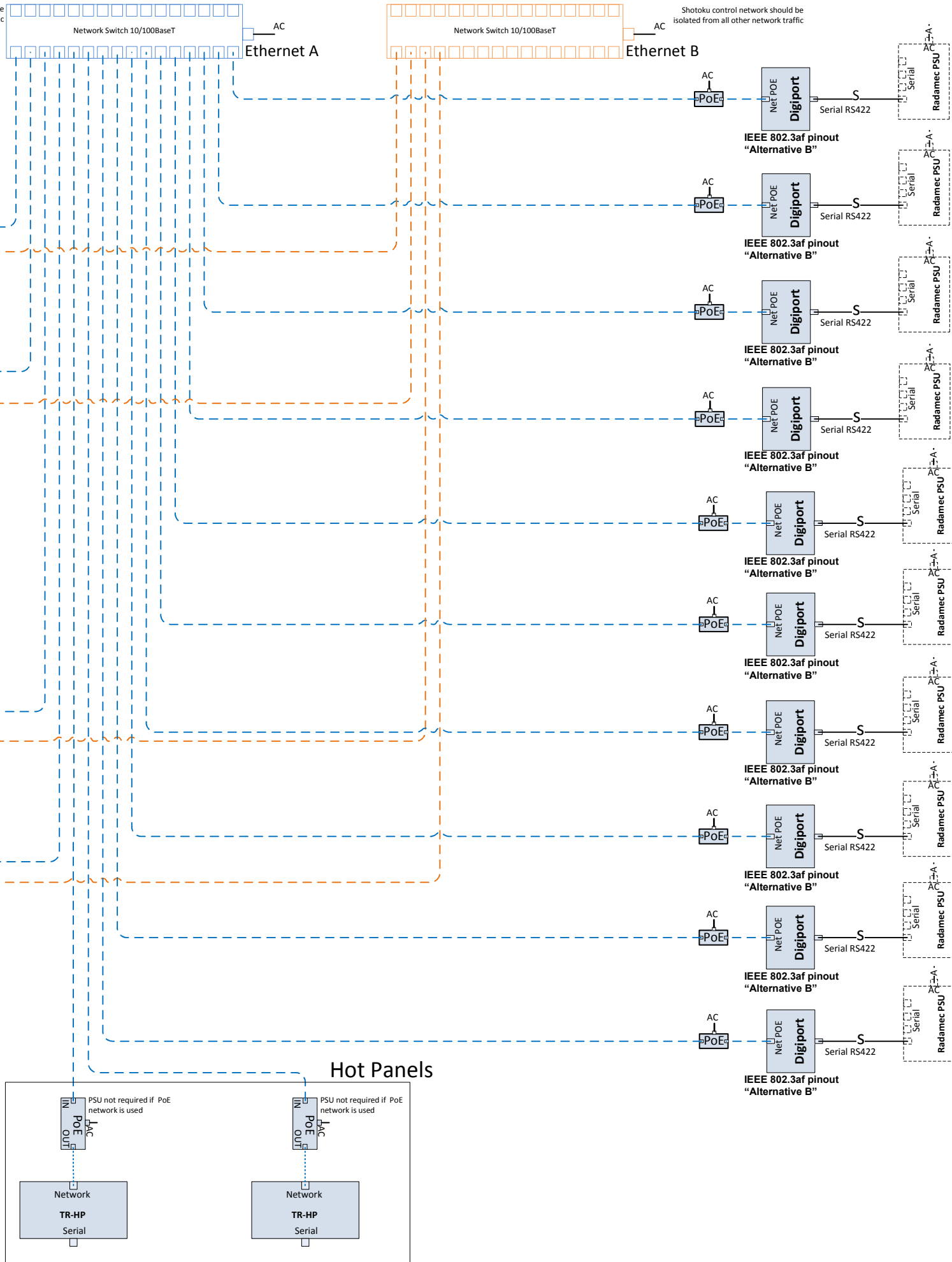
Controller 1



Controller 2



Key To Symbols	
	Cable – NOT Supplied by Shotoku
	Cable – Flying Lead
	Equipment Not Supplied by Shotoku
	Denotes Plug on Equipment
	Denotes Socket on Equipment
	Equipment & Cables Already Held By Customer



REF	QTY	Cable Number	Length	Comments
AC	18	W07-IEC-01	SET	Mains - Canada
D	2	CA-123-9015	2	V-S interface
S	10	CA-172-00010	10m	Radamec Serial I/F
S	10	CA-172-00002	2m	Radamec Serial I/F
-	-	-	-	-
-	-	-	-	-
-	-	-	-	-
-	-	-	-	-
-	-	-	-	-
-	-	-	-	-

Created	DB	1	29-Sept-2016
Change	Initials	Issue	Date