

TROY-BILT

Master Service Book

TABLE OF CONTENTS

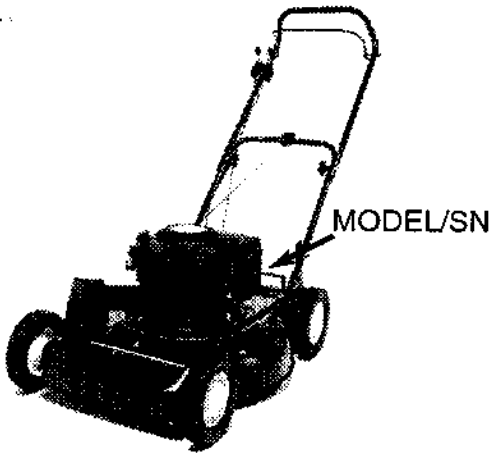
	Chapter	Section	Page
<u>WALK BEHIND MOWERS</u> Identification	1	1	1-2
Models & Specifications	1	2	1-19
Attachments	1	3	1-3
Mulching Mower Gearcase (Steel Deck)	1	4	1
Mulching Mower Drive Adjustment (Aluminum Deck)	1	4	1
Safety Specifications for Power Lawnmowers	1	4	2
Wheels & Tires	1	4	3-5
<u>BRUSHCUTTER</u> Identification / Models, Specifications & Accessories	2	1	1
Specifications & Accessories	2	2	1
<u>ROTARY TILLERS</u> Identification	3	1	1-4
Models & Specifications	3	2	1-16
Attachments	3	3	1-3
<u>WALK BEHIND SNOWTHROWERS</u> Identification	6	1	1-2
Models & Specifications	6	2	1-7
Engine RPM	6	2	7
Attachments	6	3	1
<u>SPRAYERS</u> Identification	7	1	1
Models, Specifications & Accessories	7	1	1-2
Attachments	7	1	2
<u>WASHERS & GENERATORS</u> Identification	7	2	1
Models and Specifications	7	2	1
<u>MISCELLANEOUS PRODUCTS</u> Identification / Greenhouses, Composter & Carts	8	1	1
<u>RIDING MOWERS AND FRAME STEER</u> Identification	9	1	1
Models & Specifications	9	2	1-5
Attachments	9	3	1-2
Riding Mower Spindle Assemblies & Belt Replacement	9	4	1-3
Rear/Frame Steer Steering Adjustment	9	4	4
<u>TRACTORS</u> Identifications	10	1	1-3
Models & Specifications	10	2	1-19
Transmission Fluids	10	2	19
<u>TRACTOR ATTACHMENTS</u> Interchangeability	11	1	1-29
Belt Diagrams, Numbers & Blades	11	2	1-3
Mower Spindles	11	3	1-3
<u>MISCELLANEOUS INFORMATION</u>			
Belts	12	1	1-7
Tire, Chain & Tube Part Numbers	12	2	1-2
Peerless Transmissions	12	3	1-2
Electric Clutch Troubleshooting	12	4	1
Hydro Transmission	12	5	1-16
PTO Universal Joint / Tiller Driveshafts	12	6	1
Miscellaneous Part Numbers	12	7	1-2

WALK BEHIND MOWERS

TYPE	CHAPTER	SECTION	PAGE
<u>WALK BEHIND MOWERS</u> Identification	1	1	1-2
Models & Specifications	1	2	1-19
Attachments.....	1	3	1-3
Mulching Mower Gearcase (Steel Deck)	1	4	1
Mulching Mower Drive Adjustment (Aluminum Deck)	1	4	1
Safety Specifications for Power Lawnmowers	1	4	2
Wheels & Tires	1	4	3-5

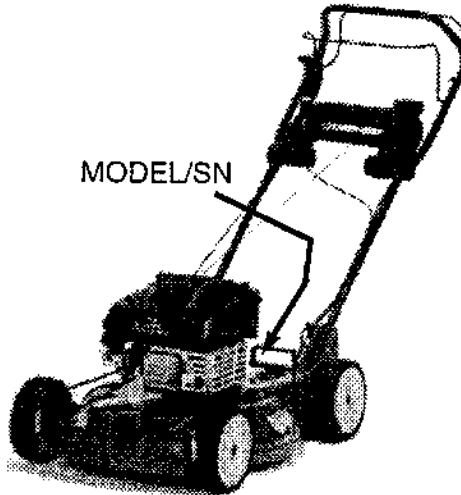
WALKING MOWER IDENTIFICATION

MULCHER (A)



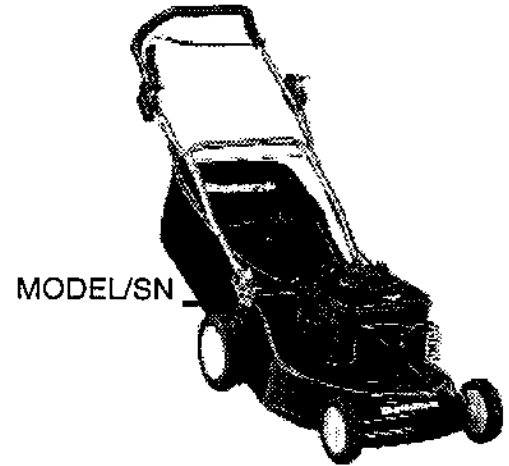
(Attachments - Section 3 pg 1 & 2)

MULCHER(B)



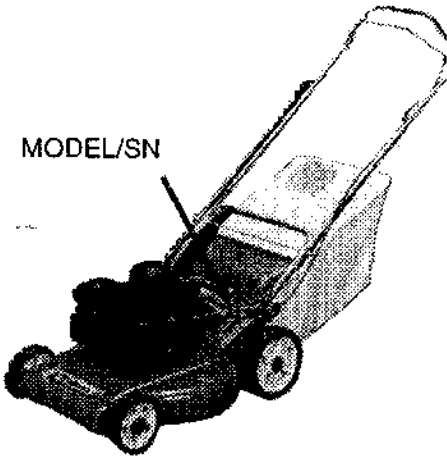
(Attachments - Section 3 pg 2)

COMBO (C)



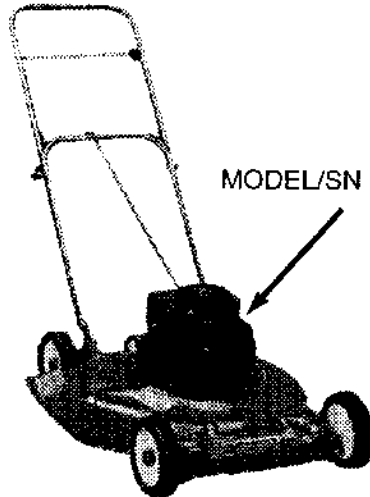
(Attachments - section 3 pg 2)

REAR BAGGING (D)



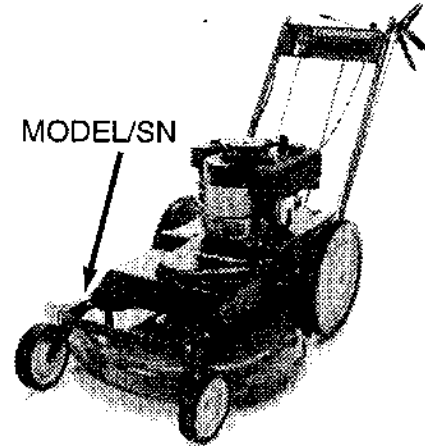
(Attachments - None)

DISCHARGE (E)



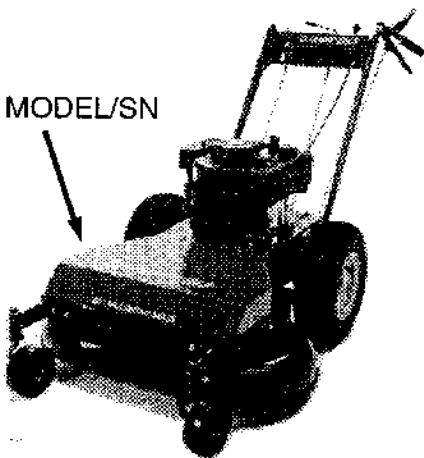
(Attachments - Section 3 pg 2)

HIGH WHEEL (F)



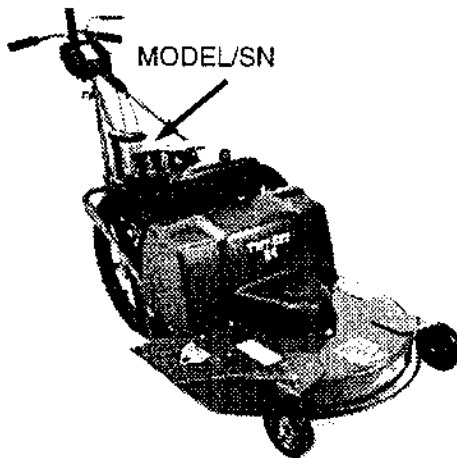
(Attachments - Section 3 pg 3)

WIDE CUT (G)



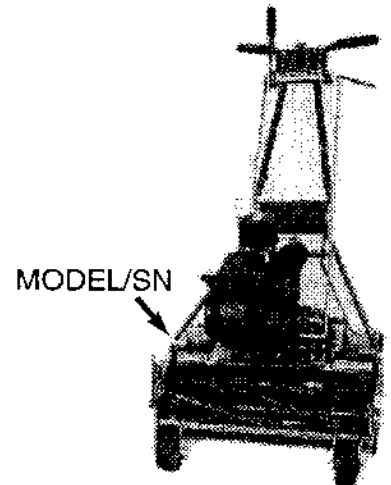
(Attachments - Section 3 pg 3)

TUFF CUT® (H)



(Attachments - Section 3 pg 3)

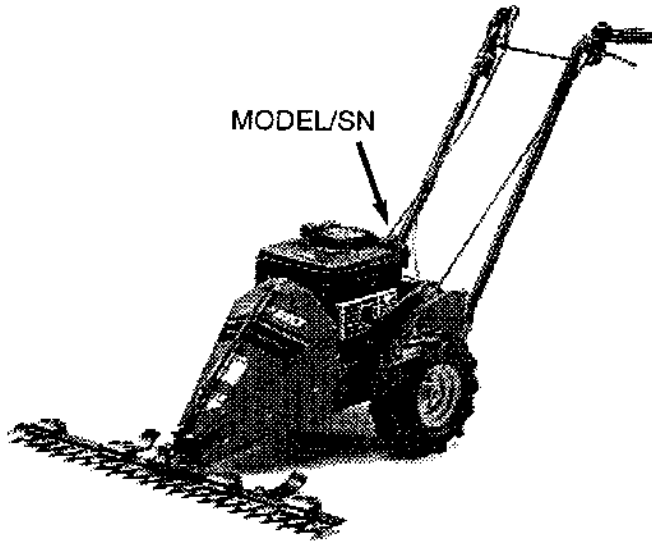
SCISSORCUT® (I)



(Attachments - None)

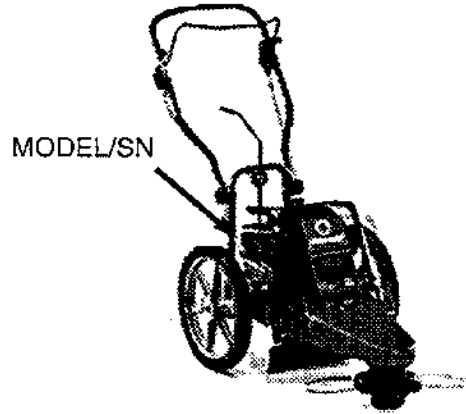
WALKING MOWER IDENTIFICATION

TRAIL BLAZER®/SICKLEBAR® (J)



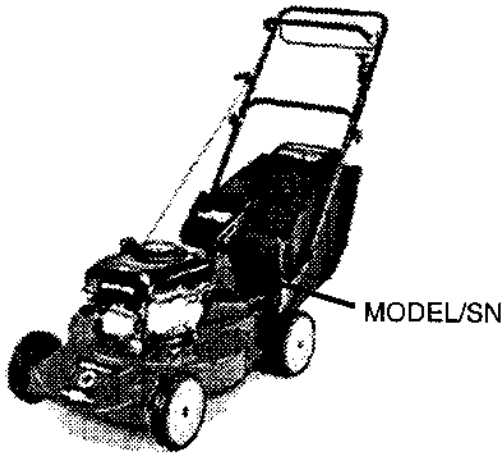
(Attachments - Section 3 pg 3)

TRIMMER MOWER (K)



(Attachments - Section 3 pg 3)

WALK BEHIND 3 IN 1 (L)



(Attachments - Section 3 pg 2)

WALK BEHIND MODELS AND SPECIFICATIONS

SKU/Model	*	Serial Number	**	Engine Model & Type	HP	In. Cut	Push	Self Prop.	Elec. Start
1969 MULCHING MOWER									
8318-01	B	NA	A	B&S 92908-0850-01	3.5	18	X		
8337-03	B	NA	A	La. LAV35-40159H	3.5	22		X	
8338-01	B	NA	A	Tec. AV600-641-05 (1)	3.5	22	X		
8339-01	B	NA	A	Tec. LAV35-40491H	3.5	22	X		X
1970 MULCHING MOWER									
8318-01	B	NA	A	B&S 92908-0850-01	3.5	18	X		
8340-01	B	NA	A	Tec. LAV35RM-40491H	3.5	22	X		
8341-01	B	NA	A	Tec. LAV35RM-40510H	3.5	22		X	
8342-01-02	B	NA	A	Tec. LAV35RM-40507H	3.5	22		X	X
8343-01	B	NA	A	Tec. LAV40-50263B	4.0	22		X	
8344-01	B	NA	A	Tec. LAV40-50264B	4.0	22		X	X
1971 MULCHING MOWER									
8318-01	B	NA	A	B&S 92908-0850-01	3.5	18	X		
8340-02-03	B	NA	A	Tec. LAV35RM-40491H	3.5	22	X		
8341-03-04	B	NA	A	Tec. LAV35RM-40510H	3.5	22		X	
8342-03	B	NA	A	Tec. LAV35RM-40159H	3.5	22		X	X
8343-02-03	B	NA	A	Tec. LAV40IA-50263B	4.0	22		X	
8344-02	B	NA	A	Tec. LAV40IA-50264B	4.0	22		X	X
1972 MULCHING MOWER									
8418-01	B	NA	A	Tec. LAV35-40667K	3.5	18	X		
8440-01	B	NA	A	Tec. LAV35-40668K	3.5	22	X		
8444-01	B	NA	A	Tec. LAV40-50298C	4.0	22		X	OPT.
1973 MULCHING MOWER									
8418	B	0200101/UP	A	Tec. LAV35RM-40667K	3.5	18	X		
8440	B	0200101/UP	A	Tec. LAV35RM-40668K	3.5	22		X	
8444	B	0200101/UP	A	Tec. LAV40RM-50298C	4.0	22		X	OPT.
8620-01	B	0100101/UP	A	Tec. LAV40RM-50298C	4.0	22	X		
1974 MULCHING MOWER									
8418	B	0300101/UP	A	Tec. LAV35RM-40667K	3.5	18	X		
8440	B	0300101/UP	A	Tec. LAV35RM-40667K	3.5	22	X		
8444	B	0300101/UP	A	Tec. LAV40RM-50298C	4.0	22		X	OPT.
8518	B	0100101/UP	A	Tec. LAV35RM-40667K	3.5	18	X		
8535	B	0100101/UP	A	Tec. LAV35RM-40668K	3.5	22	X		
8544	B	0100101/UP	A	Tec. LAV40RM-50348C	4.0	22		X	
8545	B	0100101/UP	A	Tec. LAV40RM-50349C	4.0	22		X	X
9544	B	0100101/UP	A	B&S 110988-0293-01	4.0	22		X	

* B - Bolens

NA - Not Applicable

** See section 1 for illustrations

More Footnotes: Section 2 Page 20

WALK BEHIND MODELS AND SPECIFICATIONS

SKU/Model	*	Serial Number	**	Engine Model & Type	HP	In. Cut	Push	Self Prop.	Elec. Start
1975									
MULCHING MOWER									
7432 (Indust.)	B	0100101/UP	A	Tec. AV520-670-81 (1)	3.0	18	X		
7444 (Indust.)	B	0100101/UP	A	Tec. LAV40IA-50365D	4.0	18	X		
7454 (Indust.)	B	0100101/UP	A	Tec. LAV50IA-62036	5.0	22	X		
8518	B	0200101/UP	A	Tec. LAV35RM-40667K	3.5	18	X		
8535	B	0200101/UP	A	Tec. LAV35RM-40668K	3.5	22	X		
8544	B	0200101/UP	A	Tec. LAV40RM-50348C	4.0	22		X	
8545	B	0200101/UP	A	Tec. LAV40RM-50349C	4.0	22		X	X
9535	B	0200101/UP	A	B&S 92908-1478-01	3.5	22	X		
9544	B	0200101/UP	A	B&S 110988-0293-01	4.0	22		X	
9545	B	0200101/UP	A	B&S 110985-0294-01	4.0	22		X	X
1976									
MULCHING MOWER									
7432 (Indust.)	B	0200101/UP	A	Tec. AV520-670-81 (1)	3.0	18	X		
7432F (Indust.)	B	0100101/UP	A	Tec. AV520-670-81 (1)	3.0	18	X		
7444 (Indust.)	B	0200101/UP	A	Tec. LAV40IA-50365E	4.0	18	X		
7454 (Indust.)	B	0200101/UP	A	Tec. LAV50IA-62036	5.0	22	X		
8518	B	0300101/UP	A	Tec. LAV35RM-40667K	3.5	18	X		
8535	B	0200101/UP	A	Tec. LAV35RM-40668K	3.5	22	X		
8544	B	0200101/UP	A	Tec. LAV40RM-50348C	4.0	22		X	
8545	B	0200101/UP	A	Tec. LAV40RM-50349C	4.0	22		X	X
8554	B	0100101/UP	A	Tec. LAV50RM-62045	5.0	22		X	
8555	B	0100101/UP	A	Tec. LAV50RM-62046	5.0	22		X	X
8555E	B	0100101/UP	A	Tec. LAV50RM-62046	5.0	22		X	X
9535	B	0200101/UP	A	B&S 92908-1478-01	3.5	22		X	
9544	B	0200101/UP	A	B&S 110988-0293-012	4.0	22		X	
9545	B	0200101/UP	A	B&S 110985-0294-01	4.0	22		X	X
9635	B	0200101/UP	A	B&S 92908-1478-01	3.5	22		X	
9644	B	0200101/UP	A	B&S 110988-0324-01	4.0	22		X	
9645	B	0200101/UP	A	B&S 110985-0325-01	4.0	22		X	X
1977									
MULCHING MOWER									
7444 (Indust.)	B	0200101/UP	A	Tec. LAV40IA-50365E	4.0	18	X		
7454 (Indust.)	B	0200101/UP	A	Tec. LAV50IA-62056	5.0	22	X		
8532 (Indust.)	B	0100101/UP	A	Tec. AV520-670-81B(1)	3.0	18	X		
8532F	B	0100101/UP	A	Tec. AV520-670-81B(1)	3.0	18	X		
8554	B	0100101/UP	A	Tec. LAV50RM-62045	5.0	22	X		
8555	B	0200101/UP	A	Tec. LAV50RM-62046	5.0	22	X	X	
8555E	B	0200101/UP	A	Tec. LAV50RM-62046	5.0	22	X	X	
8555F	B	0100101/UP	A	Tec. LAV50RM-62046	5.0	22	X	X	
8618	B	0100101/UP	A	B&S 921908-0850-01	3.5	18	X		
8618F	B	0100101/UP	A	B&S 921908-0850-01	3.5	18	X		
8635	B	0100101/UP	A	B&S 921908-1709-01	3.5	22	X		
8635F	B	0100101/UP	A	B&S 921908-1709-01	3.5	22	X		
8644	B	0100101/UP	A	B&S 110988-0324-01	4.0	22		X	
8644F	B	0100101/UP	A	B&S 110988-0324-01	4.0	22		X	

* B - Bolens

NA - Not Applicable

** See section 1 for illustrations

More Footnotes: Section 2 Page 20

WALK BEHIND MODELS AND SPECIFICATIONS (Cont'd)

SKU/Model	*	Serial Number	**	Engine Model & Type	HP	In. Cut	Push	Self Prop.	Elec. Start
1978									
MULCHING MOWER									
6518	B	0100101/UP	A	Tec. LAV35RM-40667K	3.5	18	X		
6544	B	0100101/OP	A	Tec. LAV40RM-50348C	4.0	22		X	
7454 (Indust.)	B	0200101/UP	A	Tec. LAV50IA-62056C	5.0	22	X		
8532 (Indust.)	B	0100101/UP	A	Tec. AV520-67081B (1)	3.0	18	X		
8532F (Indust.)	B	0200101/UP	A	Tec. AV520-67081B (1)	3.0	18	X		
8554	B	0100101/UP	A	Tec. LAV50RM-62045B	5.0	22		X	
8555	B	0200101/UP	A	Tec. LAV50RM-62046B	5.0	22		X	X
8555E	B	0300101/UP	A	Tec. LAV50RM-62046B	5.0	22		X	X
8555F	B	0200101/UP	A	Tec. LAV50RM-62046B	5.0	22		X	X
8618	B	0100101/UP	A	B&S 92908-0850-03	3.5	18	X		
8621	B	0100101/UP	A	B&S 92908-0850-03	3.5	20	X		
8621F	B	0200101/UP	A	B&S 92908-0850-03	3.5	20	X		
8635	B	0100101/UP	A	B&S 92908-1709-01	3.5	22	X		
8635F	B	0300101/UP	A	B&S 92908-11709-01	3.5	22	X		
8644	B	0100101/UP	A	B&S 110988-0324-01	4.0	22		X	
8644F	B	0100101/UP	A	B&S 110988-0324-01	4.0	22		X	
REAR BAGGER									
8660	B	0100101/UP	D	B&S 92980-1709-01	3.5	21	X		
1979									
MULCHING MOWER									
8532F (Indust.)	B	0200101/UP	A	Tec. AV520-67081(B) (1)	3.0	18	X		
8554	B	0100101/UP	A	Tec. LAV50-62045B	5.0	22		X	
8554F	B	0100101/UP	A	Tec. LAV50-62045B	5.0	22		X	
8555	B	0100101/UP	A	Tec. LAV50-62046B	5.0	22		X	X
8555E	B	0400101/UP	A	Tec. LAV50-62046B	5.0	22		X	X
8555F	B	0300101/UP	A	Tec. LAV50-62046B	5.0	22		X	X
8618	B	0200101/UP	A	B&S 92908-0850-04	3.5	18	X		
8621	B	0200101/UP	A	B&S 92908-0942-02	3.5	20	X		
8621F	B	0200101/UP	A	B&S 92908-0942-02	3.5	20	X		
8635	B	0100101/UP	A	B&S 92908-1709-01	3.5	22	X		
		0200101/UP	A	B&S 92908-1709-02	3.5	22	X		
		0300101/UP	A	B&S 92908-1709-01	3.5	22	X		
8644	B	0200101/UP	A	B&S 110988-0324-03	4.0	22		X	
		0300101/UP	A	B&S 110988-0324-02	4.0	22		X	
8645	B	0100101/UP	A	B&S 110985-0503-01	4.0	22		X	X
8645E	B	0100101/UP	A	B&S 110985.0503-01	4.0	22		X	X
8645F	B	0100101/UP	A	B&S 110985-0503-01	4.0	22		X	X
8645GT	B	0100101/UP	A	B&S 110985-0503-01	4.0	22		X	X
8648	B	0100101/UP	A	B&S 110988-0324-03	4.0	22		X	
8648C	B	0100101/UP	A	B&S 110988-0324-03	4.0	22		X	
8648F	B	0100101/UP	A	B&S 110988-0324-03	4.0	22		X	
8660	B	0100101/UP	D	B&S 92908-1924-02	3.5	21	X		
8660E	B	0100101/UP	D	B&S 92908-1924-02	3.5	21	X		
8660GT	B	0100101/UP	D	B&S 92908-1924-02	3.5	21	X		
8661	B	0100101/UP	D	B&S 110988-0461-01	4.0	21		X	

* B - Bolens

NA - Not Applicable

** See section 1 for illustrations

More Footnotes: Section 2 Page 20

WALK BEHIND MODELS AND SPECIFICATIONS (Cont'd)

SKU/Model	*	Serial Number	**	Engine Model & Type	HP	In. Cut	Push	Self Prop.	Elec. Start
1979 CONT'D									
MULCHING MOWER									
8661F	B	0100101/UP	D	B&S 110988-0461-01	4.0	21		X	
86616T	B	0100101/UP	D	B&S 110988-0461-01	4.0	21		X	
8668	B	0100101/UP	D	B&S 110985-0460-01	4.0	21		X	X
8668F	B	0100101/UP	D	B&S 110985-0460-01	4.0	21		X	X
1980									
MULCHING MOWER									
8532F	B	0300101/UP	A	Tec. AV520-67081B (1)	3.0	18	X		
8548	B	0100101/UP	A	Tec. TVS105-53031B	4.0	22		X	
8554	B	0200101/UP	A	Tec. TVS120-63001A	5.0	22		X	
		0300101/UP	A	Tec. TVS120-63001A	5.0	22		X	
8554F	B	0200101/UP	A	Tec. TVS120-63001A	5.0	22		X	
8554GT	B	0100101/UP	A	Tec. TVS120-63001A	5.0	22		X	
8555	B	0300101/UP	A	Tec. TVS120-63003A	5.0	22		X	X
		0400101/UP	A	Tec. TVS120-63003A	5.0	22		X	X
8555F	B	0400101/UP	A	Tec. TVS120-63003A	5.0	22		X	X
8555GT	B	0100101/UP	A	Tec. TVS120-63003A	5.0	22		X	X
8618	B	0200101/UP	A	B&S 92908-0850-04	3.5	18	X		
		0300101/UP	A	B&S 92908-0850-04	3.5	18	X		
8618C	B	0100101/UP	A	B&S 92908-0850-04	3.5	18	X		
8618GT	B	0100101/UP	A	B&S 92908-0850-04	3.5	18	X		
8621	B	0200101/UP	A	B&S 92908-0942-01	3.5	20	X		
		0300101/UP	A	B&S 92908-0942-01	3.5	20	X		
8621F	B	0300101/UP	A	B&S 92908-0942-01	3.5	20	X		
8621GT	B	0100101/UP	A	B&S 92908-0942-01	3.5	20	X		
8635GT	B	0100101/UP	A	B&S 92908-1709-02	3.5	20	X		
8638	B	0100101/UP	A	B&S 92908-1709-02	3.5	22	X		
8644F	B	0100101/UP	A	B&S 110988-0324-03	3.5	22		X	
8644GT	B	0100101/UP	A	B&S 110988-0324-03	3.5	22		X	
8645E	B	0200101/UP	A	B&S 110985-0503-01	4.0	22		X	X
8645F	B	0200101/UP	A	B&S 110985-0503-01	4.0	22		X	X
8648	B	0100101/UP	A	B&S 110988-0324-03	4.0	22		X	
8648F	B	0200101/UP	A	B&S 110988-0324-03	4.0	22		X	
8648GT	B	0100101/UP	A	B&S 110988-0324-03	4.0	22		X	
8649	B	0100101/UP	A	B&S 110985-0503-01	4.0	22		X	X
REAR BAGGER									
8660-01	B	0100101/UP	D	B&S 92908-1924-02	3.5	21	X		
8660GT	B	0200101/UP	D	B&S 92908-1924-02	3.5	21	X		
8661-01	B	0100101/UP	D	B&S 110988-0461-01	4.0	21		X	
8661GT	B	0200101/UP	D	B&S 110988-0461-01	4.0	21		X	
8668-01	B	0100101/UP	D	B&S 110985-0460-01	4.0	21		X	X
8668E	B	0100101/UP	D	B&S 110985-0460-01	4.0	21		X	X
8668GT	B	0100101/UP	D	B&S 110985-0460-01	4.0	21		X	X

* B - Bolens

NA - Not Applicable

** See section 1 for illustrations

More Footnotes: Section 2 Page 20

WALK BEHIND MODELS AND SPECIFICATIONS (Cont'd)

SKU/Model	*	Serial Number	**	Engine Model & Type	HP	In. Cut	Push	Self Prop.	Elec. Start
1981									
MULCHING MOWER									
8532F (Indust.)	B	0300101/UP	A	Tec. AV520-67081 (1)	3.5	18	X		
8548	B	0100101/UP	A	Tec. TVS105-53031B	4.0	22		X	
8554	B	0300101/UP	A	Tec. TVS120-63001A	1.0	22		X	
8554GT	B	0200101/UP	A	Tec. TVS120-63001A	1.0	22		X	
8555	B	0400101/UP	A	Tec. TVS120-63003A	5.0	22		X	X
8555GT	B	0200101/UP	A	Tec. TVS120-63003A	5.0	22		X	X
8618	B	0300101/UP	A	B&S 92908-0850-04	3.5	18	X		
8618C	B	0200101/UP	A	B&S 92908-0850-04	3.5	18	X		
8618GT	B	0300101/UP	A	B&S 92908-0850-04	3.5	18	X		
8621	B	0400101/UP	A	B&S 92908-0942-02	3.5	20	X		
8621F	B	0400101/UP	A	B&S 92908-0942-02	3.5	20	X		
8621GT	B	0200101/UP	A	B&S 92908-0942-02	3.5	20	X		
8635GT	B	0200101/UP	A	B&S 92908-1709-02	3.5	22	X		
8638	B	0100101/UP	A	B&S 92908-1709-02	3.5	22	X		
8638F	B	0100101/UP	A	B&S 92908-1709-02	3.5	22	X		
8644GT	B	0200101/UP	A	B&S 110988-0324-03	4.0	22		X	
8648	B	0200101/UP	A	B&S 110988-0324-03	4.0	22		X	
8648GT	B	0200101/UP	A	B&S 110988-0324-03	4.0	22		X	
8649	B	0100101/UP	A	B&S 110985-0442-01	4.0	22		X	X
8649E	B	0100101/UP	A	B&S 110985-0442-01	4.0	22		X	X
8649F	B	0100101/UP	A	B&S 110985-0442-01	4.0	22		X	X
1982***									
MULCHING MOWER									
8532EU	B	0100101/UP	A	Tec. AV520-67081 (1)	3.5	18	X		
8532F	B	0400101/UP	A	Tec. AV520-67081 (1)	3.5	18	X		
8554GT	B	0300101/UP	A	Tec. TVS120-63001A	5.0	22		X	
8554EX	B	0100101/UP	A	Tec. TVS120-63001A	5.0	22		X	
8555	B	0500101/UP	A	Tec. TVS120-63025C	5.0	22		X	X
8555EX	B	0100101/UP	A	Tec. TVS120-63025C	5.0	22		X	X
8618EU	B	0100101/UP	A	B&S 92908-0850-04	3.5	18	X		
8621F	B	0500101/UP	A	B&S 92908-0942-02	3.5	20	X		
8621GT	B	0400101/UP	A	B&S 92908-0942-02	3.5	20	X		
8622	B	0100101/UP	A	B&S 93502-0356-01	3.5	20	X		
8638EU	B	0100101/UP	A	B&S 92908-1709-02	3.5	22	X		
8638F	B	0200101/UP	A	B&S 92908-1709-02	3.5	22	X		
8642	B	0100101/UP	A	B&S 110988-0546-01	4.0	22		X	
8644GT	B	0300101/UP	A	B&S 110988-0324-03	4.0	22		X	
8648	B	0300101/UP	A	B&S 110988-0502-01	4.0	22		X	
8648EX	B	0100101/UP	A	B&S 110988-0502-01	4.0	22		X	
8649E	B	0200101/UP	A	B&S 110985-0442-01	4.0	22		X	X
8649EX	B	0100101/UP	A	B&S 110985-0442-01	4.0	22		X	X
8649F	B	0200101/UP	A	B&S 110985-0442-01	4.0	22		X	X

* B - Bolens

NA - Not Applicable

** See section 1 for illustrations

More Footnotes: Section 2 Page 20

*** Meets compliance requirements as of June 1982

WALK BEHIND MODELS AND SPECIFICATIONS (Cont'd)

SKU/Model	*	Serial Number	**	Engine Model & Type	HP	In. Cut	Push	Self Prop.	Elec. Start	Mulch	Rear Bag	Side Disch.
1983 COMBO MOWER												
8352	B	0100101/UP	C	B&S 92902-3175-01	3.5	21	X			X	X	
8352EX	B	0100101/UP	C	B&S 92902-3175-01	3.5	21	X			X	X	
8362	B	0100101/UP	C	B&S 110902-3176-01	4.0	21		X		X	X	
8362EX	B	0100101/UP	C	B&S 110902-3176-01	4.0	21		X		X	X	
8372	B	0100101/UP	C	Tec. TVS120-63031D	5.0	21		X	X	X	X	
8372EX	B	0100101/UP	C	Tec. TVS120-63031D	5.0	21		X	X	X	X	
DISCH. MOWER												
8610	B	0100101/UP	E	B&S 92902-3178-01	3.5	20	X					X
8611	B	0100101/UP	E	B&S 92902-3178-01	3.5	20	X					X
MULCHING MOWER												
8554EX	B	0200101/UP	A	Tec. TVS120-63001A	5.0	22		X		X		
8556	B	0100101/UP	A	Tec. TVS120-63032D	5.0	22		X	X	X		
8623	B	0100101/UP	A	B&S 92902-3178-01	3.5	20	X			X		
8643	B	0100101/UP	A	B&S 110982-3194-01	4.0	22		X		X		
8648EX	B	0200101/UP	A	B&S 110988-0502-01	4.0	22		X		X		
1984 COMBO MOWER												
8352	B	0200101/UP	C	B&S 92902-3175-01	3.5	21	X			X	X	
8352EX	B	0200101/UP	C	B&S 92902-3175-01	3.5	21	X			X	X	
8352GT	B	0100101/UP	C	B&S 92902-3175-01	3.5	21	X			X	X	
8362	B	0200101/UP	C	B&S 110902-3176-01	4.0	21		X		X	X	
8362EX	B	0200101/UP	C	B&S 110902-3176-01	4.0	21		X		X	X	
8362GT	B	0100101/UP	C	B&S 110902-3176-01	4.0	21		X		X	X	
8372	B	0200101/UP	C	Tec. TVS120-63031D	5.0	21		X	X	X	X	
8372EX	B	0200101/UP	C	Tec. TVS120-63031D	5.0	21		X	X	X	X	
8372GT	B	0100101/UP	C	Tec. TVS120-63031D	5.0	21		X	X	X	X	
8373EX	B	0100101/UP	C	Tec. TVS120-63031D	5.0	21		X		X	X	
DISCH. MOWER												
8610	B	0200101/UP	E	B&S 92902-3178-01	3.5	20	X					
8611EX	B	0100101/UP	E	B&S 92902-3178-01	3.5	20	X					
MULCHING MOWER												
8521	B	0100101/UP	A	Tec. TVS90-43276D	3.5	20	X			X		
8623	B	0200101/UP	A	B&S 92902-3178-01	3.5	20	X			X		
8639	B	0100101/UP	A	B&S 92902-3235-01	3.5	22	X			X		
8643	B	0200101/UP	A	B&S 110982-3194-01	4.0	22		X		X		
1985 COMBO MOWER												
8352	B	0300101/UP	C	B&S 92902-3261	3.5	21	X			X	X	
8352EX	B	0300101/UP	C	B&S 92902-3261	3.5	21	X			X	X	
8362	B	0400101/UP	C	B&S 110702-3191	4.0	21		X		X	X	

* B - Bolens

** See section 1 for illustrations

NA - Not Applicable

More Footnotes: Section 2 Page 20

*** Meets compliance requirements as of June 1982

WALK BEHIND MODELS AND SPECIFICATIONS (Cont'd)

SKU/Model	*	Serial Number	**	Engine Model & Type	HP	In. Cut	Push	Self Prop.	Elec. Start	Mulch	Rear Bag	Side Disch.
1985 cont'd												
COMBO MOWER												
8362EX	B	0300101/UP	C	B&S 110702-3191	4.0	21		X		X	X	
8364 (16)	B	0100101/UP	C	B&S 11078-0170	4.0	21		X		X	X	
8372	B	0200101/UP	C	Tec. TVS120-63056D	5.0	21		X	X	X	X	
8372EX	B	0200101/UP	C	Tec. TVS120-63056D	5.0	21		X	X	X	X	
DISCH. MOWER												
8118	B	0100101/UP	E	B&S 92902-3248	3.5	18	X				X	
8118A	B	0100101/UP	E	B&S 92902-3248	3.5	18	X				X	
8610	B	0300101/UP	E	B&S 92902-3262	3.5	20	X					X
8611EX	B	0100101/UP	E	B&S 92902-3262	3.5	20	X					X
MULCHING MOWER												
8521	B	0200101/UP	A	Tec. TVS90-43302D	3.5	20	X			X		
8623	B	0300101/UP	A	B&S 92902-3178	3.5	20	X			X		
8639	B	0100101/UP	A	B&S 92902-3235	3.5	22	X			X		
8643	B	0300101/UP	A	B&S 110782-3192	4.0	22		X		X		
PRO												
4983	TB	832092/836548	H	B&S 130902	5.0	22	X					(2)
4984	TB	832092/836548	H	B&S 131922	5.0	22		X				(2)
4985	TB	832092/836548	H	B&S 170402	7.0	24		X				(2)
SCISSOR CUT												
5019 (3)	TB	N/A	I	B&S 80202-1676	3.0	20		X				
5020 (4)	TB	N/A	I	B&S 80202-1676	3.0	20		X				
5021 (3)	TB	N/A	I	Koh K91T-311001	4.0	25		X				
5022 (4)	TB	N/A	I	Koh K91T-311001	4.0	25		X				
TUFF CUT I												
4994	TB	T100000/T102423	H	B&S 130907-1234	5.0	22		X	X			(5)
4995	TB	T100000/T102423	H	B&S 130902-1233	5.0	22		X				(5)
4996	TB	T600000/T602222	H	B&S 190707-2518	8.0	24		X	X			(5)
4997	TB	T100000/T102423	H	B&S 190702-2208	8.0	24		X				(5)
4998	TB	T100000/T102423	H	B&S 130902-1233	5.0	22	X					(5)
TRAIL BLAZER I												
5018	TB	P1000000/P100984	J	B&S 92982-5368	3.5	34		X		X		
TRAIL BLAZER II												
5018	TB	100985/101640	J	B&S 92982-5368	3.5	34		X		X		
1986												
COMBO MOWER												
8362	B	0500101/UP	C	B&S 110702-3191	4.0	21		X			X	
8362EX	B	0400101/UP	C	B&S 110702-3191	4.0	21		X			X	
8364	B	0200101/UP	C	B&S 110708-0170	4.0	21		X			(16)	
8372	B	0400101/UP	C	B&S 110707-3099	4.0	21		X	X		X	
8372EX	B	0400101/UP	C	B&S 110707-3099	4.0	21		X	X		X	
8374	B	0100101/UP	C	B&S 110707-3099	4.0	21		X	X		X	

* B - Bolens

** See section 1 for illustrations

TB - Troy-Bilt

NA - Not Applicable

More Footnotes: Section 2 Page 20

*** Meets compliance requirements as of June 1982

WALK BEHIND MODELS AND SPECIFICATIONS (Cont'd)

SKU/Model	*	Serial Number	**	Engine Model & Type	HP	In. Cut	Push	Self Prop.	Elec. Start	Sickle	Rear Bag	Mulch	Side Disch
1986 (cont'd)													
DISCH. MOWER													
8118	B	0100101/UP	E	B&S 92902-3248	3.5	18	X				X		
8610	B	0100101/UP	E	B&S 92902-3178	3.5	20	X						X
8611EX	B	0100101/UP	E	B&S 92902-3178	3.5	20	X						X
MULCHING MOWER													
8623	B	0300101/UP	A	B&S 90702-3065	3.5	20	X					X	
8643	B	0300101/UP	A	B&S 110782-3192	4.0	22		X				X	
8647	B	0100101/UP	A	B&S 110787-3107	4.0	22		X	X			X	
SCISSOR CUT													
5019	TB	N/A	I	B&S 80202-1676	3.0	20		X		(3)			
5020	TB	N/A	I	B&S 80202-1676	3.0	20		X		(4)			
5021	TB	N/A	I	Koh K91T-311001	4.0	25		X		(3)			
5022	TB	N/A	I	Koh K91T-311001	4.0	25		X		(4)			
TUFF CUT II													
10749	TB	T102424/UP	H	B&S 130902-1233	5.0	22	X						(5)
10750	TB	T102424/UP	H	B&S 130902-1233	5.0	22		X					(5)
10751	TB	T102224/UP	H	B&S 130907-1234	5.0	22		X	X				(5)
10752	TB	T102223/UP	H	B&S 190702-2208	8.0	24		X	X				(5)
10753	TB	T102223/UP	H	B&S 190707-2518	8.0	24		X	X				(5)
10754	TB	T102223/UP	H	B&S 130902-1233	5.0	22	X						(5)(6)
10755	TB	T102223/UP	H	B&S 130902-1233	5.0	22		X					(5)(6)
10756	TB	T102223/UP	H	B&S 130907-1234	5.0	22		X	X				(5)(6)
10757	TB	T102223/UP	H	B&S 190702-2208	8.0	24		X					(5)
10758	TB	T102223/UP	H	B&S 190707-2518	8.0	24		X	X				(5)
TRAIL BLAZER III													
5018	TB	P101641-P105740	J	B&S 92982-5368	3.5	34		X					
10721	TB	P101641-P105740	J	B&S 114982-0184 (8)	4.0	34		X			(7)		
TRAIL BLAZER IV													
5018	TB	P105741/UP	J	B&S 92982-5368	3.5	34		X					
10789	TB	P105741/UP	J	B&S 92982-5368	3.5	34		X					
10790	TB	P105741/UP	J	B&S 114982-0184 (8)	4.0	34		X		(6)(7)			
11310	TB	P105741/UP	J	B&S 114982-0184 (8)	4.0	38		X		(6)(7)			
1987 COMBO MOWER													
8362EX	B	0500101/UP	C	B&S 110702-3191	3.5	21		X			X		
8364EX	B	0100101/UP	C	B&S 110708-0170	4.0	21		X			(16)		
8372EX	B	0500101/UP	C	B&S 110707-3099	4.0	21		X	X		X		
8374EX	B	0100101/UP	C	B&S 110707-3099	4.0	21		X	X		X		
9052	B	0100101/UP	C	B&S 91702-3077	3.5	21		X			X		
9062	B	0100101/UP	C	B&S 110702-3191	4.0	21		X			X		
9062	B	0200101/UP	C	B&S 110702-3191	4.0	21		X			X		

* B - Bolens

TB - Troy-Bilt

** See section 1 for illustrations

NA - Not Applicable

More Footnotes: Section 2 Page 20

WALK BEHIND MODELS AND SPECIFICATIONS (Cont'd)

SKU/Model	*	Serial Number	**	Engine Model & Type	HP	In. Cut	Push	Self Prop.	Elec. Start	Sickle	Rear Bag	Mulch	Side Disch.
1987(cont'd)													
COMBO MOWER													
9064	B	0100101/UP	C	B&S 110708-0170	4.0	21		(16)			X		
9064	B	0200101/UP	C	B&S 110708-0170	4.0	21		X			X		
9074	B	0100101/UP	C	B&S 110707-3099	4.0	21		X	X		X		
9074	B	0200101/UP	C	B&S 110707-3099	4.0	21		X	X		X		
11300	TB	0100101/UP	C	B&S 110708-0170	4.0	21		X					
11301	TB	0100101/UP	C	B&S 110707-3099	4.0	21		X	X		X		
DISCH. MOWER													
8118	B	0100101/UP	E	B&S 92902-3248	3.5	18	X				X		
8610	B	0300101/UP	E	B&S 92902-3262	3.5	20	X						X
8611EX	B	0200101/UP	E	B&S 92902-3262	3.5	20	X						X
MULCHING MOWER													
8623	H	0300101/UP	A	B&S 90702-3065	3.5	20	X					X	
8623EX	H	0100101/UP	A	B&S 90702-3065	3.5	20	X					X	
8643	H	0300101/UP	A	B&S 110782-3192	4.0	22		X				X	
8647	H	0100101/UP	A	B&S 110787-3107	4.0	22		X	X			X	
8647EX	H	0100101/UP	A	B&S 110787-3107	4.0	22		X	X			X	
SCISSOR CUT													
5019	TB	NA	I	B&S 80202-1676	3.0	20		(3)					
5020	TB	NA	I	B&S 80202-1676	3.0	20		(4)					
5021	TB	NA	I	Koh K91T-311001	4.0	25		(3)					
5022	TB	NA	I	Koh K91T-311001	4.0	25		(4)					
TUFF CUT II													
10749	TB	To/T112539	H	B&S 130902-1233	5.0	22	X						(5)
10750	TB	To/T113539	H	B&S 130902-1233	5.0	22		X					(5)
10751	TB	To/T112539	H	B&S 130907-1234	5.0	22		X	X				(5)
10752	TB	To/T113735	H	B&S 190702-2208	8.0	24		X					(5)
10753	TB	To/T113735	H	B&S 190707-2518	8.0	24		X	X				(5)
10754	TB	To/T112539	H	B&S 130902-1233	5.0	22	X						(5)(6)
19755	TB	To/T113735	H	B&S 130907-1233	5.0	22		X					(5)(6)
10756	TB	To/T113735	H	B&S 130907-1234	5.0	22		X					(5)(6)
10757	TB	To/T113735	H	B&S 190702-2208	8.0	24		X					(5)(6)
10758	TB	To/T113735	H	B&S 193707-0331	8.0	24		X	X				(5)(6)
11362	TB	T115000/UP	H	B&S 130902-1233	5.0	22	X						(9)
11363	TB	T115000/UP	H	B&S 130902-1233	5.0	22		X					(9)
11364	TB	T115000/UP	H	B&S 130907-1234	5.0	22		X	X				(9)
11365	TB	T615000/UP	H	B&S 190702-2208	8.0	24		X					(9)
11366	TB	T615000/UP	H	B&S 190707-0330	8.0	24		X					(9)
11367	TB	T615000/UP	H	B&S 190702-0330 (8)	8.0	24		X	X				(9)
11368	TB	T615000/UP	H	B&S 190707-0331 (8)	8.0	24		X					(9)
11369	TB	T615000/UP	H	B&S 190702-0330 (8)	8.0	24		X					(6)(9)
11370	TB	T615000/UP	H	B&S 190707-0331 (8)	8.0	24		X	X				(6)(9)

B - Bolens
TB - Troy-Bilt

** See section 1 for illustrations

NA - Not Applicable

More Footnotes: Section 2 Page 20

WALK BEHIND MODELS AND SPECIFICATIONS (Cont'd)

SKU/Model	*	Serial Number	**	Engine Model & Type	HP	In. Cut	Push	Self Prop.	Elec. Start	Sickle	Rear Bag	Mulch	Side Disch.
TRAIL BLAZER IV													
5018	TB	To/P118205	J	B&S 92982-5368	3.5	34		X		X			
10789	TB	To/P118205	J	B&S 92982-5368	3.5	34		X		X			
10790	TB	To/P118205	J	B&S 114982-0184 (8)	4.0	34		X		(7)(9)			
11307	TB	To/P118205	J	B&S 114982-0184 (8)	4.0	38		X		(7)(9)			
11310	TB	To/P118205	J	B&S 114982-0184 (8)	4.0	38		X		(7)(9)			
TRAIL BLAZER V													
5018	TB	P118206/UP	J	B&S 92922-5368	3.5	34		X		X			
11420/11421	TB	P118206/UP	J	B&S 114982-0184 (8)	3.5	38		X		X			
1988 COMBO MOWER													
8364EX	B	0200101/UP	C	B&S 110708-0170	4.0	21		X			(16)		
8374EX	B	0100101/UP	C	B&S 110707-3099	4.0	21		X	X		X		
9053	B	0100101/UP	C	B&S 110708-3127	3.5	21	X				X		
9062	B	0200101/UP	C	B&S 110702-3097	4.0	21		X			X		
9062	B	0300101/UP	C	B&S 110702-3097	4.0	21		(10)			X		
9063	B	0100101/UP	C	B&S 100708-3127	4.0	21		(10)			X		
9064	B	0200101/UP	C	B&S 110708-0170	4.0	21		(11)			(16)		
9074	B	0200101/UP	C	B&S 110707-3099	4.0	21		X	X		X		
9074	B	0300101/UP	C	B&S 110707-3099	4.0	21		(10)	X		X		
9262	B	0100101/UP	C	B&S 96722-3210 (1)	4.0	21		(11)			X		
9262EX	B	0100101/UP	C	B&S 96722-3210 (1)	4.0	21		(11)			X		
11300	TB	To/0199999	C	B&S 110708-0170	4.0	21		X			X		
11301	TB	To01019999	C	B&S 110707-3099	4.0	21		X	X		X		
DISCH. MOWER													
8611EX	B	0300101/UP	E	B&S 92902-3262	3.5	20	X						X
8612	B	0100101/UP	E	B&S 100708-3126	3.5	20	X						X
MULCHING MOWER													
8623EX	B	0200101/UP	A	B&S 90702-3065	3.5	20	X					X	
8624	B	0100101/UP	A	B&S 100708-3126	3.5	20	X					X	
8643	B	0300101/UP	A	B&S 110782-3098	4.0	22		X				X	
8643EX	B	0200101/UP	A	B&S 110782-3098	4.0	22		X				X	
8647	B	0100101/UP	A	B&S 110787-3107	4.0	22		X	X			X	
8647EX	B	0200101/UP	A	B&S 110787-3107	4.0	22		X	X			X	
TUFF CUT II													
11362	TB	T115000/UP	H	B&S 130902-1233	5.0	22	X						(9)
11363	TB	T115000/UP	H	B&S 130902-1233	5.0	22		X					(9)
11364	TB	T115000/UP	H	B&S 130907-1234	5.0	22		X	X				(9)
11365	TB	T615000/UP	H	B&S 190702-2208	8.0	24		X					(9)
11366	TB	T615000/UP	H	B&S 190707-2518	8.0	24		X					(9)
11367	TB	T615000/UP	H	B&S 193702-0330 (8)	8.0	24		X	X				(9)
11368	TB	T615000/UP	H	B&S 193707-0331 (8)	8.0	24		X					(9)
11369	TB	T615000/UP	H	B&S 193702-0330 (8)	8.0	24		X					(6)(9)
11370	TB	T615000/UP	H	B&S 193707-0331 (8)	8.0	24		X	X				(6)(9)

* B - Bolens

TB - Troy-Bilt

** See section 1 for illustrations

NA - Not Applicable

More Footnotes: Section 2 Page 20

WALK BEHIND MODELS AND SPECIFICATIONS (Cont'd)

SKU/Model	*	Serial Number	**	Engine Model & Type	HP	In. Cut	Push	Self Prop.	Elec Start	Sickle	Rear Bag	Mulch	Side Disch.
1988 CONT'D													
RAIL													
BLAZER V													
5018	TB	To/P127020	J	B&S 92982-5368	3.5	34		X		X			
11420/11421	TB	To/P127020	J	B&S 114982-0184 (8)	4.0	38		X		X			
TRAIL													
BLAZER VI													
5018	TB	P121281-P129480	J	B&S 92982-5368	3.5	34		X		X			
11397	TB	P121281-P129480	J	B&S 114982-0184 (8)	4.0	38		X	X	X			
1989													
COMBO MOWER													
9053	B	0200101/UP	C	B&S 100708-3127	3.5	21	X				X		
9062	B	0400101/UP	C	B&S 111702-3055	4.0	21		(12)			X		
9074	B	0400101/UP	C	B&S 111707-3056	4.0	21		(12)	X		(16)		
9262	B	0200101/UP	C	B&S 96722-3210 (1)	4.0	21		(12)			X		
DISCH. MOWER													
8612	B	0200101/UP	E	B&S 100708-3126	3.5	20	X						X
MULCHING MOWER													
8557	B	0100101/UP	A	Tec. TVS120-63610F	5.0	22		X	X			X	
8557EX	B	0100101/UP	A	Tec. TVS120-63610F	5.0	22		X	X			X	
8623EX	B	0300101/UP	A	B&S 90702-3065	3.5	20	X					X	
8624	B	0200101/UP	A	B&S 100708-3126 (12)	3.5	20	X					X	
8624R	TB	B320100101/UP	A	B&S 121702-3126 (12)	3.5	20	X					X	
853	B	0100101-UP	A	B&S 110782-3139	4.0	22		X				X	
853EX	B	0100101/UP	A	B&S 110782-3139	4.0	22		X				X	
8654R	TB	B310100101/UP	A	B&S 122782-3124 (12)	4.0	22		X	X			X	
8654RS	TB	B330100101/UP	A	B&S 122782-3124 (12)	4.0	22		X	X			(12)	
8657	B	0100101/UP	A	B&S 110787-3141	4.0	22		X	X			X	
8657EX	B	0100101/UP	A	B&S 110787-3141	4.0	22		X	X			X	
TUFF CUT II													
11362	TB	T115000/UP	H	B&S 130902-1233	5.0	22	X						(6)
11363	TB	T115000/UP	H	B&S 130902-1233	5.0	22		X					(6)
11364	TB	T115000/UP	H	B&S 130907-1234	5.0	22		X	X				(6)
11365	TB	T615000/UP	H	B&S 190707-2518	8.0	24		X	X			(6)	
11366	TB	T615000/UP	H	B&S 190707-2518	8.0	24		X	X			(6)	
11367	TB	T615000/UP	H	B&S 193702-0330 (8)	8.0	24		X				(6)	
11368	TB	T615000/UP	H	B&S 193707-0331 (8)	8.0	24		X				(6)	
11369	TB	T615000/UP	H	B&S 193702-0330 (8)	8.0	24		X				(6)(9)	
11370	TB	T615000/UP	H	B&S 193707-0331 (8)	8.0	24		X	X			(6)(9)	
TRAIL													
BLAZER VII													
15003/40141	TB	F0000100/UP	J	B&S 114982-0184 (8)	4.0	38		X		(6)			
15003S/40141	TB	Y0000100/UP	J	B&S 114982-0184 (8)	4.0	38		X		(6)(13)			
15004/40140	TB	A0000100/UP	J	B&S 92982-5368	3.5	34		X		(6)			
15005/40141	TB	V0000100/UP	J	B&S 114987-0185 (8)	4.0	38		X	X	(6)			

B - Bolens
TB - Troy-Bilt

** See section 1 for illustrations

NA - Not Applicable

More Footnotes: Section 2 Page 20

WALK BEHIND MODELS AND SPECIFICATIONS (Cont'd)

SKU/Model	*	Serial Number	**	Engine Model & Type	HP	In. Cut	Push	Self Prop.	Elec. Start	Sickle	Mulch	Side Disch.
1990												
MULCHING MOWER												
8623EX	B	0400101/UP	A	B&S 90702-3065	3.5	20	X				X	
8624	B	0300101/UP	A	B&S 121702-3126-01	3.5	20	X				X	
8624R	TB	B320100101/UP	A	B&S 121702-3126	3.5	20	X				X	
8654	B	0100101/UP	A	B&S 122782-3124 (12)	4.0	22		X			X	
8654R	TB	B310100101/UP	A	B&S 122782-3124 (12)	4.0	22		X			X	
8654RS	TB	B330100101/UP	A	B&S 122782-3124 (12)	4.0	22		X			(13)	
8655	B	0100101/UP	A	B&S 124782-3130 (12)	5.0	22		X			X	
8656	B	0100101/UP	A	B&S 124787-3131 (12)	5.0	22		X	X		X	
8656EX	B	0100101/UP	A	B&S 124787-3131 (12)	5.0	22		X	X		X	
TUFF CUT II												
11362	TB	T115000/UP	H	B&S 130902-1233	5.0	22	X					(9)
11363	TB	T115000/UP	H	B&S 130902-1233	5.0	22		X				(9)
11364	TB	T115000/UP	H	B&S 130907-1234	5.0	22		X	X			(9)
11365	TB	T615000/UP	H	B&S 190702-2517	8.0	24		X				(9)
11366	TB	T615000/UP	H	B&S 190707-2518	8.0	24		X	X			(9)
11367	TB	T615000/UP	H	B&S 193702-0330 (8)	8.0	24		X				(9)
11368	TB	T615000/UP	H	B&S 193707-0331 (8)	8.0	24		X	X			(9)
11369	TB	T615000/UP	H	B&S 193702-0330 (8)	8.0	24		X				(5)(9)
11370	TB	T615000/UP	H	B&S 193707-0331 (8)	8.0	24		X	X			(6)(9)
TRAIL BLAZER VII												
15003	TB	F0000100/UP	J	B&S 114982-0184 (8)	4.0	38		X			(9)	
15003S	TB	Y0000100/UP	J	B&S 114982-0184 (8)	4.0	38		X			(9)(13)	
15004	TB	A0000100/UP	J	B&S 92982-5368	3.5	34		X			(9)	
15005	TB	V0000100/UP	J	B&S 114987-0185 (8)	4.0	38		X	X		(9)	
1991												
MULCHING MOWER												
8628	B	0100101/UP	A	B&S 121702-3126(12)	3.5	20	X				X	
8628R	TB	B420100101/UP	A	B&S 122702-3126(12)	4.0	20	X				X	
8628RS	TB	B430100101/UP	A	B&S 122702-3126(12)	4.0	20	X				(13)	
8654	B	0200101/UP	A	B&S 122782-3124(12)	4.0	22		X			X	
8654R	TB	B310200101/UP	A	B&S 122782-3124(12)	4.0	22		X			X	
8654RS	TB	B430200101/UP	A	B&S 122782-3124(12)	4.0	22		X			(13)	
8655	B	0200101/UP	A	B&S 124782-3130(12)	4.0	22		X			X	
8655R	TB	B440100101/UP	A	B&S 124782-3130(12)	5.0	22		X			X	
8655RS	TB	B450100101/UP	A	B&S 124782-3130(12)	5.0	22		X			(13)	
8656	B	0200101/UP	A	B&S 124787-3131(12)	5.0	22		X	X		X	
8656EX	B	0200101/UP	A	B&S 124787-3131(12)	5.0	22		X	X		X	
		0300101/UP	A	B&S 124787-3131(12)	5.0	22		X	X		X	
		340170300101/UP	A	B&S 124787-3131(12)	5.0	22		X	X		X	
8656R	TB	B460100101/UP	A	B&S 124787-3131(12)	5.0	22		X	X		X	
8656RS	TB	B470100101/UP	A	B&S 124787-3131(12)	5.0	22		X	X		(13)	
TUFF CUT II												
11363	TB	T115000/UP	H	B&S 130902-1233	5.0	22		X				(9)
11364	TB	T115000/UP	H	B&S 130907-1234	5.0	22		X	X			(9)
11367	TB	T615000/UP	H	B&S 193702-0330 (8)	8.0	24		X				(9)

* B - Bolens

TB - Troy-Bilt

** See section 1 for illustrations

NA - Not Applicable

More Footnotes: Section 2 Page 20

WALK BEHIND MODELS AND SPECIFICATIONS (Cont'd)

SKU/Model	*	Serial Number	**	Engine Model & Type	HP	In. Cut	Push	Self Prop.	Elec. Start	Sickle	Mulch	Side Disch.
1991 (cont'd)												
TUFF CUT II												
11368	TB	T615000/UP	H	B&S 193707-0331 (8)	8.0	24		X	X			(9)
11369	TB	T615000/UP	H	B&S 193702-0330 (8)	8.0	24		X				(6)(9)
11370	TB	T615000/UP	H	B&S 193707-0331 (8)	8.0	24		X	X			(6)(9)
TRAIL BLAZER VII												
15003	TB	To/A0010408	J	B&S 114982-0184 (8)	4.0	38		X				(9)
15003S	TB	To/Y002346	J	B&S 114982-0184 (8)	4.0	38		X				(9)(13)
15004	TB	To/F0001825	J	B&S 96582-0110	3.5	34		X				(9)
15005	TB	To/V0004872	J	B&S 114987-0185 (8)	4.0	38		X	X			(9)
34302	TB	F0000100/UP	J	B&S 96582-0110	3.5	34		X				(9)
34303	TB	A0000100/UP	J	B&S 114982-0184 (8)	4.0	38		X				(9)
34304	TB	V0000100/UP	J	B&S 114982-0184 (8)	4.0	38		X				(9)(13)
34305	TB	Y0000100/UP	J	B&S 114987-0185 (8)	4.0	38		X	X			(9)
1992												
MULCHING MOWER												
8628B	B	B600100101/UP	A	B&S 122702-3126(12)	4.0	20	X				X	
8628R	TB	B420200101/UP	A	B&S 122702-3126(12)	4.0	20	X				X	
8628RS	TB	B430200101/UP	A	B&S 122702-3126(12)	4.0	20	X				(13)	
8654	B	0300101/UP	A	B&S 122782-3124(12)	4.0	22		X			X	
		340100100101/UP	A	B&S 122782-3124(12)	4.0	22		X			X	
8654R	TB	340140300101/UP	A	B&S 122782-3124(12)	4.0	22		X			X	
8654RS	TB	340180300101/UP	A	B&S 122782-3124(12)	4.0	22		X			(13)	
8655	B	0300101/UP	A	B&S 124782-3130(12)	5.0	22		X			X	
		340110300101/UP	A	B&S 124782-3130(12)	5.0	22		X			X	
3655R	TB	B440300101/UP	A	B&S 124782-3130(12)	5.0	22		X			X	
8655RS	TB	B450300101/UP	A	B&S 124782-3130(12)	5.0	22		X			(13)	
8656	B	0300101/UP	A	B&S 124787-3131(12)	5.0	22		X	X		X	
		340120300101/UP	A	B&S 124787-3131(12)	5.0	22		X	X		X	
8556EX	B	340170400101/UP	A	B&S 124787-3131(12)	5.0	22		X	X		X	
8656R	TB	B460300101/UP	A	B&S 124787-3131(12)	5.0	22		X	X		X	
8656RS	TB	B470300101/UP	A	B&S 124787-3131(12)	5.0	22		X	X		(13)	
34007	TB	B610100101/UP	A	Tec OVRM-50-52620B	5.5	22		X			X	
TUFF CUT II												
11363	TB	T115000/UP	H	B&S 130902-1233	5.0	22		X				(9)
11364	TB	T115000/UP	H	B&S 130907-1234	5.0	22		X	X			(9)
11367	TB	T615000/UP	H	B&S 193702-0330 (8)	8.0	24		X				(9)
11368	TB	T615000/UP	H	B&S 193707-0331 (8)	8.0	24		X	X			(9)
11369	TB	T615000/UP	H	B&S 193702-0330 (8)	8.0	24		X				(7)(9)
11370	TB	T615000/UP	H	B&S 193707-0331 (8)	8.0	24		X	X			(7)(9)
TRAIL BLAZER VIII												
34307	TB	343070100101/UP	J	Tec TVS90-43637H	3.5	34		X			X	(9)
34308	TB	343080100101/UP	J	Tec TVS105-53630J	4.0	38		X			X	(9)
34309	TB	343090100101/UP	J	Tec TVS105-53629J	4.0	38		X	X		X	(9)
1993												
MULCHING MOWER												
8628B	B	B600100101/UP	A	B&S 122702-3126(12)	4.0	20	X				X	

B - Bolens
TB - Troy-Bilt

** See section 1 for illustrations

NA - Not Applicable

More Footnotes: Section 2 Page 20

WALK BEHIND MODELS AND SPECIFICATIONS (Cont'd)

SKU/Model	*	Serial Number	**	Engine Model & Type	HP	In. Cut	Push	Self Prop.	Elec. Start	Sickle	Mulch	Side Disch.
1993(cont'd)												
MULCHING MOWER												
8628R	TB	8628R0100101/UP	A	B&S 122702-3126(12)	4.0	20	X				X	
8654	B	340100400101/UP	A	B&S 122782-3124(12)	4.0	22		X			X	
8654R	TB	8654R0100101/UP	A	B&S 122782-3124(12)	4.0	22		X			X	
8654RS	TB	8654RS0100101/UP	A	B&S 122782-3124(12)	4.0	22		X			(13)	
8655	B	340110400101/UP	A	B&S 124782-3130(12)	5.0	22		X			X	
8655R	TB	8655R0100101/UP	A	B&S 124782-3130(12)	5.0	22		X			X	
8655RS	TB	8655RS0100101/UP	A	B&S 124782-3130(12)	5.0	22		X			(13)	
8656	B	340120400101/UP	A	B&S 124787-3131(12)	5.0	22		X	X		X	
8556EX	B	340170100101/UP	A	B&S 124787-3131(12)	5.0	22		X			X	
8656R	TB	8656R0100101/UP	A	B&S 124787-3131(12)	5.0	22		X	X		X	
8656RS	TB	8656RS0100101/UP	A	B&S 124787-3131(12)	5.0	22		X	X		(13)	
34007	TB	340070300101/UP	A	Tec OVRM-50-EPI-201	5.5	22		X				
TUFF CUT II												
11363	TB	T115000/UP	H	B&S 130902-1233	5.0	22		X				(9)
11364	TB	T115000/UP	H	B&S 130907-1234	5.0	22		X	X			(9)
11367	TB	T615000/UP	H	B&S 193702-0330 (8)	8.0	24		X				(9)
11368	TB	T615000/UP	H	B&S 190707-0331 (8)	8.0	24		X	X			(9)
11369	TB	T615000/UP	H	B&S 193702-0330 (8)	8.0	24		X				(7)(9)
11370	TB	T615000/UP	H	B&S 193707-0331 (8)	8.0	24		X	X			(7)(9)
TRAIL BLAZER VIII												
34307	TB	343070100101/UP	J	Tec TVS90-43637H	3.5	34		X			(9)	
34308	TB	343080100101/UP	J	Tec TVS105-53630J	4.0	38		X			(9)	
34309	TB	343090100101/UP	J	Tec TVS105-53629J	4.0	38		X	X		(9)	
34310	TB	343100100101/UP	J	Tec TVS105-53630J	4.0	38		X			(9)(12)	
SICKLEBAR												
34032	TB	340320100101/UP	J	B&S 121782-0273	3.5	34		X			X	
34033	TB	340330100101/UP	J	B&S 122782-0188	4.0	38		X			X	
34034	TB	340340100101/UP	J	B&S 126782-0129	5.0	42		X			X	
34035	TB	340350100101/UP	J	B&S 126787-0130 (8)	5.0	42		X	X		X	
1994												
MULCHING MOWER												
8628B	B	340080200101/UP	A	B&S 122702-3126(12)	4.0	20	X				X	
8654	B	340100500101/UP	A	B&S 122782-3124-01	4.0	22		X			X	
34020	TB	340200200101/UP	B	B&S 122702-3182-01	4.0	21	X				X	
34021	TB	340210200101/UP	B	B&S 122702-3182-01	4.0	21		(15)			X	
34022	TB	340220200101/UP	B	B&S 124802-3433-01	5.0	21		(16)			X	
34023	TB	340230200101/UP	B	B&S 124807-3435-01	5.0	21		(16)	X		X	
34050	B	340500200101/UP	B	B&S 122702-3182-01	4.0	21	X				X	
34051	B	340510200101/UP	B	B&S 122702-3182-01	4.0	21		(15)			X	
34052	B	340520200101/UP	B	B&S 124802-3433-01	5.0	21		(16)			X	
34053	B	340530200101/UP	B	B&S 124807-3435-01	5.0	21		(16)	X		X	
34311	TB	343110100101/UP	B	B&S 099772-0628	5.5	21		(16)			X	
34312	B	343120100101/UP	B	B&S 099772-0628	5.5	21		(16)			X	
34313	TB	343130100101/UP	B	B&S 099772-0628	5.5	21		(16)			(17)	

* B - Bolens

TB - Troy-Bilt

** See section 1 for illustrations

NA - Not Applicable

More Footnotes: Section 2 Page 20

WALK BEHIND MODELS AND SPECIFICATIONS (Cont'd)

SKU/Model	*	Serial Number	**	Engine Model & Type	HP	in. Cut	Push	Self Prop.	Elec. Start	Sickle	Mulch	Side Disch.
1994 cont'd												
VIDE CUT												
34041	TB	340410200101/UP	G	B&S 196707-0141 (8)	8.5	33		X	X		(18)	
34042	B	340420100101/UP	G	B&S 196707-0140 (8)	8.5	33		X	(Opt.)		(18)	
34044	TB	340440200101/UP	G	B&S 196702-0142 (8)	8.5	33		X			(18)	
HIGH WHEEL												
34036	TB	343060200101/UP	F	Tec VLV55-501017A	5.5	22		X				X
34037	TB	340370200101/UP	F	Tec VLV55-501018A	5.5	22		X	X			X
34038	TB	340380200101/UP	F	B&S 195702-0136	8.0	26		X				X
34039	TB	340390200101/UP	F	B&S 195707-0137	8.0	26		X	X			X
34040	B	340400200101/UP	F	Tec VLV55-501017A	5.5	22		X				X
SICKLEBAR												
34032	TB	340320200101/UP	J	B&S 121782-0273	3.5	34		X		X		
34033	TB	340330200101/UP	J	B&S 122782-0188	4.0	38		X		X		
34034	TB	340340200101/UP	J	B&S 126782-0129	5.0	42		X		X		
34035	TB	3403502100101/UP	J	B&S 126787-0130 (8)	5.0	42		X	X	X		
34043	B	340430200101/UP	J	B&S 122782-0188	4.0	38		X		X		
1995												
MULCHING MOWER												
8628B	B	340080200101/UP	A	B&S 122702-3126-01	4.0	20	X				X	
8654	B	340100500101/UP	A	B&S 122782-3124-01	4.0	22		X			X	
34020	TB	340200200101/UP	B	B&S 122702-3182-01	4.0	21	X				X	
34021	TB	340210200101/UP	B	B&S 122702-3182-01	4.0	21		(15)			X	
34022	TB	340220200101/UP	B	B&S 124802-3433-01	5.0	21		(15)			X	
34023	TB	340230200101/UP	B	B&S 124807-3435-01	5.0	21		(15)	X		X	
34050	B	340500200101/UP	B	B&S 122702-3182-01	4.0	21	X				X	
34051	B	340510200101/UP	B	B&S 122702-3182-01	4.0	21		(15)			X	
34052	B	340520200101/UP	B	B&S 124802-3433-01	5.0	21		(15)			X	
34053	B	340530200101/UP	B	B&S 124807-3435-01	5.0	21		(15)	X		X	
34311	TB	343110100101/UP	B	B&S 099772-0628	5.5	21		(15)			(16)	
34312	B	343120100101/UP	B	B&S 099772-0628	5.5	21		(15)			(16)	
34313	TB	343130100101/UP	B	B&S 099772-0628	5.5	21		(15)			(16)(17)	
WIDE CUT												
34071	TB	340710100101/UP	G	B&S 196707-0155	8.5	33		X	X		(18)	
34072	B	340720100101/UP	G	B&S 196706-0156 (8)	8.5	33		X	(Opt)		(18)	
34073	TB	340730100101/UP	G	B&S 196706-0142	8.5	33		X			(18)	
34074	TB	340740100101/UP	G	B&S 196706-0156 (8)	8.5	33		X			(18)	
HIGH WHEEL												
34066	TB	340660100101/UP	F	Tec VLV55-501017A	5.5	22		X	X		(18)	
34067	TB	340670100101/UP	F	Tec VLV55-501018A	5.5	22		X			X	
34068	TB	340680100101/UP	F	B&S 195702-0136	8.0	26		X	X		X	
34069	TB	340690100101/UP	F	B&S 195707-0137	8.0	26		X			X	
34070	B	340700100101/UP	F	Tec VLV55-501017A	5.5	22		X			X	
34076	TB	340760100101/UP	F	Tec VLV55-501047A	5.5	22		X			X	
34077	TB	340770100101/UP	F	Tec VLV55-501048A	5.5	22		X	X		X	
34078	TB	340780100101/UP	F	B&S 195702-0436-A1	8.0	26		X			X	
34079	TB	340790100101/UP	F	B&S 195707-0437-A1	8.0	26		X	X		X	
34085	B	340850100101/UP	F	B&S 195702-0152-01	8.0	26		X			X	

B - Bolens
TB - Troy-Bilt

** See section 1 for illustrations

NA - Not Applicable

More Footnotes: Section 2 Page 20

WALK BEHIND MODELS AND SPECIFICATIONS (Cont'd)

SKU/Model	*	Serial Number	**	Engine Model & Type	HP	In. Cut	Push	Self Prop.	Elec. Start	Mulch	Side Disch.
1995(cont'd)											
SICKLEBAR											
34061	TB	340610100101/UP	J	B&S 12E782-0705-01	3.5	34		X			
34062	TB	340620100101/UP	J	B&S 12E782-0688-01	4.0	38		X			
34063	TB	340630100101/UP	J	B&S 12G782-0629-01	5.0	42					
34064	TB	340640100101/UP	J	B&S 12G787-0628-01	5.0	42		X	X		
34065	B	340650100101/UP	J	B&S 12G782-0688-01	4.0	38		X			
34083	TB	340830100101/UP	J	B&S 126782-0129-01	5.0	42		X			
34084	TB	340840100101/UP	J	B&S 126787-0130 (8)	5.0	42		X	X		
1996											
MULCHING MOWER											
8628B	B	340080200101/UP	A	B&S 122702-3126-01	4.0	20	X			X	
8654	B	340100500101/UP	A	B&S 122782-3124-01	4.0	22		X		X	
34020	TB	340200200101/UP	B	B&S 122702-3182-01	4.0	21	X			X	
34020C	TB	34020C0200101/UP	B	B&S 12E702-0682-01	4.0	21	X			(19)	
34021	TB	340210500101/UP	B	B&S 122702-3182-01	4.0	21		(15)		X	
34021C	TB	34021C0500101/UP	B	B&S 12E702-0692-01	4.0	21		(15)		(19)	
34022	TB	340220500101/UP	B	B&S 124802-3433-01	5.0	21		(15)		X	
34022C	TB	34022C0500101/UP	B	B&S 120F02-0833-01	5.0	21		(15)		(19))	
34023	TB	340230500101/UP	B	*&S 124807-3435-01	5.0	21		(15)	X	X	
34023C	TB	34023C0500101/UP	B	B&S 120F807-0835-01	5.0	21		(15)	X	(19)	
34050	TB	340500200101/UP	B	B&S 122702-3182-01	4.0	21	X	(15)		X	
34051	B	340510500101/UP	B	B&S 122702-3182-01	4.0	21		(15)		X	
34052	B	340520500101/UP	B	B&S 124802-3433-01	5.0	21		(15)		X	
34053	B	340530500101/UP	B	B&S 124807-3435-01	5.0	21		(15)	X	X	
34312	B	343120100101/UP	B	B&S 099772-0628-01	5.5	21		(15)		(16)	
34320	TB	343200100101/UP	B	B&S 12F802-1173-01	5.0	21	X			X	
34321	TB	343210100101/UP	B	B&S 12F802-1173-01	5.0	21		X		X	
34322	TB	343220100101/UP	B	B&S 12F802-1173-01	5.0	21		(20)		X	
34323	TB	343230100101/UP	B	B&S 12F807-1174-01	5.0	21		(20)	X	X	
34328	TB	343280100101/UP	B	B&S N/A	6.0	21		(20)		(16)	
34320C	TB	34320C0100101/UP	B	B&S 12E802-1129-01	4.0	21	X			(19)	
34321C	TB	34321C0100101/UP	B	B&S 12E802-1129-01	4.0	21		X		(19)	
34327	B	343270100101/UP	B	B&S 12F802-1173-01	4.0	21	X			X	
34324	B	343240100101/UP	B	B&S 12F802-1173-03	4.0	21		X		X	
34325	B	343250100101-UP	B	B&S 12F802-1173-01	5.0	21		(20)		X	
34326	B	343260100101/UP	B	B&S 12F807-1174-01	5.0	21		(20)	X	X	
34329	B	343290100101/UP	B	B&S N/A	6.0	21		(20)		(16)	
34322C	TB	34322C0100101/UP	B	B&S 12F803-0833-01	5.0	21		(20)		(19)	
34323C	TB	34323C0100101/UP	B	B&S 12F807-0835-01	5.0	21		(20)	X	(19)	
WIDE CUT											
34071	TB	340710100101/UP	G	B&S 196707-0155	8.5	33		X	X	X	
34072	B	340720100101/UP	G	B&S 196706-0156 (8)	8.5	33		X	(Opt)	X	
34073	TB	340730100101/UP	G	B&S 196706-0142	8.5	33		X		X	
HIGH WHEEL											
34066	TB	340660100101/UP	F	Tec. VLV55-501017A	5.5	22		X			X
34067	TB	340670100101/UP	F	Tec. VLV55-501018A	5.5	22		X	X		X
34068	TB	340680100101/UP	F	B&S 195702-0136	8.0	26		X			X

* B - Bolens
TB - Troy-Bilt

** See section 1 for illustrations

NA - Not Applicable

More Footnotes: Section 2 Page 20

WALK BEHIND MODELS AND SPECIFICATIONS (Cont'd)

SKU/Model	*	Serial Number	**	Engine Model & Type	HP	In. Cut	Push	Self Prop.	Elec. Start	Mulch	Side Disch.
1996 (cont'd)											
HIGH WHEEL											
34069	TB	340690100101/UP	F	B&S 195707-0137	8.0	26		X	X		X
34070	B	340700100101/UP	F	Tec. VLV55-501017A	5.5	22		X			X
34085	B	370850100101/UP	F	B&S 195702-0152-01	8.0	26		X			X
SICKLEBAR											
34061	TB	340610100101/UP	J	B&S 12E782-0705-01	3.5	34		X			
34063	TB	340630100101/UP	J	B&S 12G782-0629-01	5.0	42		X			
34064	TB	340640100101/UP	J	B&S 12G787-0628-01	5.0	42		X	X		
34065	B	340650100101/UP	J	B&S 12G782-0688-01	4.0	38		X			
1997											
MULCHING MOWER											
34320	TB	343200100101/UP	B	B&S 12F802-1173-01	4.0	21	X			X	
34321	TB	343210100101/UP	B	B&S 12F802-1173-01	4.0	21		X		X	
34322	TB	343220100101/UP	B	B&S 12F802-1173-01	5.0	21		(20)		X	
34323	TB	343230100101/UP	B	B&S 12F807-1174-01	5.0	21		(20)	X	X	
34328 (16)	TB	343280100101/UP	B	B&S N/A	6.0	21		(20)		X	
34320C	TB	34320C0100101/UP	B	B&S 12E802-1129-01	4.0	21	X			X	
34321C	TB	34321C0100101/UP	B	B&S 12E802-1129-01	4.0	21		X		X	
34327	B	343270100101/UP	B	B&S 12F802-1173-01	4.0	21	X			X	
34325	B	343250100101/UP	B	B&S 12F802-1173-01	5.0	21		(20)		X	
34326	B	343260100101/UP	B	B&S 12F807-1174-01	5.0	21		(20)	X	X	
34329	B	343290100101/UP	B	B&S N/A	6.0	21		(20)		X	
34322C	TB	34322C0100101/UP	B	B&S 12F802-0833-01	5.0	21		(20)		X	
34323C	TB	34323C0100101/UP	B	B&S 12F807-0835-01	5.0	21		(20)	X	X	
WIDE CUT											
34071	TB	340710100101/UP	G	B&S 196707-0155-01	8.5	33		X	X	X	
34071C	TB	34071C0100101/UP	G	B&S 196707-0155-01	8.5	33		X	X	(19)	
34072	B	340720200101/UP	G	B&S 196706-0156-01(8)	8.5	33		X	(Opt)	X	
34073	TB	340730100101/UP	G	B&S 196706-0142-01	8.5	33		X		X	
34073C	TB	34073C0100101/UP	G	B&S 196706-0142-01	8.5	33		X		(19)	
34087	TB	340870100101/UP	G	B&S 196707-0155	8.5	33"		X	X	X	X
34089	TB	340890100101/UP	G	B&S 196702-0142	8.5	33"		X		X	X
HIGH WHEEL											
34066	TB	340660100101/UP	F	Tec. VLV55-501017A	5.5	22		X			X
34067	TB	340670100101/UP	F	Tec. VLV55-501018A	5.5	22		X	X		X
34068	TB	340680100101/UP	F	B&S 195702-0136-01	8.0	26		X			X
34069	TB	340690100101/UP	F	B&S 195707-0137-01	8.0	26		X	X		X
SICKLEBAR											
34061	TB	340610100101/UP	J	B&S 12E782-0705-01	3.5	34		X			
34062	TB	340620100101/UP	J	B&S 12E782-0688-01	4.0	34		X			
34062C	TB	34062C0100101/UP	J	B&S 12E782-0688-01	4.0	34		(19)			
34063	TB	340630100101/UP	J	B&S 12G782-0629-01	5.0	42		X			
34063C	TB	34063C0100101/UP	J	B&S 12G782-0629-01	5.0	42		(19)			
34064	TB	340640100101/UP	J	B&S 12G787-0628-01	5.0	42		X	X		
34064C	TB	34064C0100101/UP	J	B&S 12G787-0628-01	5.0	42		(19)	X		
34065	B	340650100101/UP	J	B&S 12G782-0688-01	4.0	38		X			

B - Bolens
TB - Troy-Bilt

** See section 1 for illustrations

NA - Not Applicable

More Footnotes: Section 2 Page 20

WALK BEHIND MODELS AND SPECIFICATIONS (Cont'd)

SKU/Model	*	Serial Number	**	Engine Model & Type	HP Cut	In	Push Prop	Self Start	Elec	Mulch	Side Disch.
1997 Cont'd											
TRIMMER MOWER											
52027	TB	520270100101/UP	J	B&S 12F702-1778-A1	5.0	22"	X				
52028	TB	520280100101/UP	J	B&S 12J702-1754-A1	6.0	22"	(8)				
52029	TB	520290100101/UP	J	B&S 12J707-1753-A1	6.0	22"	(8)		X		
1998											
MULCHING MOWER											
34320	TB	343201100101/up	B	B&S 12F802-2373-A1		21	(21)			X	
34321	TB	343211100101/UP	B	B&S 12F802-2373-A1	4.0	21		X		X	
34322	TB	343220100101/UP	B	B&S 12F802-2373-A1	5.0	21		(20)		X	
34323	TB	343230100101/UP	B	B&S 12F807-2374-A1	5.0	21		(20)	X	X	
34331	TB	343310100101/UP	B	B&S 12F802-2373-A1	5.5	21		(20)		(16)	
34347	B	343471100101/UP	B	B&S 12F802-2373-A1	5.0	21	(21)			X	
34348	B	343481100101/UP	B	B&S 12F802-2373-A1	5.0	21		(21)		X	
34349	B	343491100101/UP	B	B&S 12H802-2379-E1	6.0	21		(20)		(21)	
34350	B	343501100101/UP	B	B&S 12H807-2379-E1	6.0	21		(20)	X	(21)	
WIDE CUT											
34072	B	340720200101/UP	G	B&S 196706-0156-01(8)	8.5	33		X	(Opt)	X	
34342	TB	343421100101/UP	G	B&S 28B702-1143-E1	8.5	33		(21)		(22)	
34343	TB	343431100101/UP	G	B&S 28B707-1144-E1	8.5	33		(21)	X	(22)	
HIGH WHEEL											
34066	TB	340660100101/UP	F	Tec. VLV55-501017A	5.5	22		X			X
34068	TB	340680100101/UP	F	B&S 195702-0136-01	8.0	26		X			X
34069	TB	340690100101/UP	F	B&S 195707-0137-01	8.0	26		X	X		X
SICKLEBAR											
34062	TB	340621100101/UP	J	B&S 12E782-0688-01	4.0	34		(19)			
34063	TB	340631100101/UP	J	B&S 12G782-0629-01	5.0	42		X	J		
34064	TB	340341100101/UP	J	B&S 12G787-0628-01	5.0	42		(19)	X		
34065	B	340650500101/UP	J	B&S 12G782-0688-01	4.0	38		X			
34337	TB	343371100101/UP	J	B&S 12G782-1729-E1	4.0	34		(21)			
TRIMMER MOWER											
52027	TB	520270100101/UP	K	B&S 12F702-1778-E1	5.0	22"	X(21)				
52028	TB	520280100101/UP	K	B&S 12J702-1754-E1	6.0	22"	(8)(21)				
52029	TB	520290100101/UP	K	B&S 12J707-1753-A1	6.0	22"	(8)(21)		X		
52036	TB	520361100101/UP	K	B&S 127802-2007-E1	4.0	22"	X(21)				
1999											
MULCHING MOWER											
34344	TB	343441100101/UP	B	B&S 12F802-2373-A1	5.0	21"	X			X	
34345	TB	343451100101/UP	B	B&S 12F802-2373-E1	6.0	21"		X		X	
34346	TB	343461100101/UP	B	B&S 12H807-2376-E1	6.0	21"		X	X	X	
34347	B	343471100101/UP	B	B&S 12F802-2373-E1	5.0	21"	X			X	
34348	B	343481200101/UP	B	B&S 12F807-2373-E1	5.0	21"	X			X	
34349	B	343491200101/UP	B	B&S 12H807-2379-E1	6.0	21"		X		X	
34350	B	343501200101/UP	B	B&S 12H807-2380-E1	6.0	21"		X	X	X	
34354	B	343541100101/UP	B	B&S 12F802-2373-A1	5.0	21"	X			X	
34355	B	343551100101/UP	B	B&S 12H802-2379-E1	6.0	21"		X		X	

* B - Bolens

TB - Troy-Bilt

** See section 1 for illustrations

NA - Not Applicable

More Footnotes: Section 2 Page 20

WALK BEHIND MODELS AND SPECIFICATIONS (Cont'd)

SKU/Model	*	Serial Number	**	Engine Model & Type	HP	In Cut	Push	Self Prop	Elec Start	Mulch	Side Ditch
1999 Cont'd											
WIDE CUT											
34072	B	340720200101/UP	G	B&S 196706-0156-01(8)	8.5	33		X	(Opt)	X	
34342	TB	343421100101/UP	G	B&S 28B702-1143-E1	8.5	33		(21)		(22)	
34343	TB	343431100101/UP	G	B&S 28B707-1144-E1	8.5	33		(21)	X	(22)	
34353	B	343531100101/UP	G	B&S 28B707-1144-E1	8.5	33		X		X	X
34356	GW	343561100101/UP	G	TVM195-150289G-E1	8.0	33		X		X	X
34358	B	343581100101/UP	G	B&S 28B707-1144-E1	8.5	33		X		X	X
34359	B	343591100101/UP	G	B&S 28B707-1144-E1	8.5	33		X		X	X
SICKLEBAR											
34062	TB	340621100101/UP	J	B&S 12E782-0688-01	4.0	38		(21)			
34063	TB	340631100101/UP	J	B&S 12G782-0629-01	5.0	42		X			
34064	TB	340341100101/UP	J	B&S 12G787-0628-01	5.0	42		(21)	X		
34065	B	340650500101/UP	J	B&S 12G782-0688-01	4.0	38		X			
34337	TB	343371100101/UP	J	B&S 12G782-1729-E1	4.0	34		(21)			
TRIMMER MOWER											
52027	TB	520270100101/UP	K	B&S 12F702-1778-E1	5.0	22	X(21)				
52028	TB	520280100101/UP	K	B&S 12J702-1754-E1	6.0	22	(8)(21)				
52029	TB	520290100101/UP	K	B&S 12J707-1753-A1	6.0	22	(8)(21)		X		
52036	TB	520361100101/UP	K	B&S 127802-2007-E1	4.0	22	X(21)				
52042	B	520421100101/UP	K	B&S 127802-2007-E1	4.0	21	X		X		
52048	B	520480100101/UP	K	B&S 12F702-1778-E1	5.0	22	X(21)				
52051	GW	520511100101/UP	K	B&S 127802-2007-E1	4.0	21	X		X		
52052	GW	520521100101/UP	K	B&S 127807-2006-E1	4.5	21	X		X		
2000											
MULCHING MOWER											
34347	B	343471100101/UP	B	B&S 12F802-2373-E1	5.0	21	X			X	
34348	B	343481200101/UP	B	B&S 12F807-2373-E1	5.0	21	X			X	
34349	B	343491200101/UP	B	B&S 12H807-2379-E1	6.0	21		X		X	
34350	B	343501200101/UP	B	B&S 12H807-2380-E1	6.0	21		X	X	X	
3 in 1 MOWERS											
34360	TB	343601100101/UP	L	B&S 1266020135E1O1070	6.5	21		X		X	X
34361	TB	343611100101/UP	L	B&S 1266070136E1O1070	6.5	21		X	X	X	X
34362	TB	343621100101/UP	L	HON GCV160AIA	5.5	21		X		X	X
34366	B	343661100101/UP	L	B&S 1266070136E1O1070	6.5	21		X		X	X
34367	B	343671100101/UP	L	B&S 1266070136E1O1070	6.5	21		X	X	X	X
34368	B	343681100101/UP	L	HON GCV160AIA	5.5	21		X		X	X
WIDE CUT											
34072	B	340720200101/UP	G	B&S 196706-0156-01(8)	8.5	33		X	(Opt)	X	
34342	TB	343421100101/UP	G	B&S 28B7021143E1K0024	9.0	33		(21)		(22)	
34343	TB	343431100101/UP	G	B&S 28B7071144E1K1024	9.0	33		(21)	X	(22)	
34356	GW	343561100101/UP	G	TVM195-150289G-E1	8.0	33		X		X	X
34365											
SICKLEBAR											
34063	TB	340631100101/UP	J	B&S 12G782-0629-01	5.0	42		X			
34064	TB	340341100101/UP	J	B&S 12G787-0628-01	5.0	42		(21)	X		
34065	B	340650500101/UP	J	B&S 12G782-0688-01	4.0	38		X			
34337	TB	343371100101/UP	J	B&S 12G782-1729-E1	4.0	34		(21)			

B - Bolens

TB - Troy-Bilt

** See section 1 for illustrations

NA - Not Applicable

More Footnotes: Section 2 Page 20

WALK BEHIND MODELS AND SPECIFICATIONS (Cont'd)

SKU/Model	*	Serial Number	**	Engine Model & Type	HP	In Cut	Push	Self Prop	Elec Start	Mulch	Side
TRIMMER MOWER											
52027	TB	520270100101/UP	K	B&S 12F702-1778-E1	5.0	22"	X(21)				
52028	TB	520280100101/UP	K	B&S 12J702-1754-E1	6.0	22"	(8)(21)				
52029	TB	520290100101/UP	K	B&S 12J707-1753-A1	6.0	22"	(8)(21)		X		
52036	TB	520361100101/UP	K	B&S 127802-2007-E1	4.0	22"	X(21)				
52051	GW	520511100101/UP	K	B&S 127802-2007-E1	4.0	21"	X		X		
52052	GW	520521100101/UP	K	B&S 127807-2006-E1	4.5	21"	X		X		
52056	GW	520561100101/UP	K	B&S 12F7021778B1A3072	5.0	21"					
52057	TB	520571100101/UP	K	B&S 127802-2007-E1	5.0	21"	X		X		
52058	TB	520280100101/UP	K	B&S 12F702-1778-E1	6.0	22"	X(21)		X		
52063	TB	520631100101/UP	K	B&S 12F7021778B1A3072	5.0	21"	X				
52064	TB	520641100101/UP	K	B&S 12J7071753B1A3072	6.0	22"	X		X		

* B - Bolens
TB - Troy-Bilt

** See section 1 for illustrations

NA - Not Applicable

More Footnotes: Section 2 Page 20

FOOTNOTES

* B - Bolens
TB - Troy Bilt

** See Section 1 for illustrations

- 1 - 2 Cycle Engine
- 2 - Production Started in 1984
- 3 - 5 Blade
- 4 - 7 Blade
- 5 - Gilson Mfr.
- 6 - Canada
- 7 - Deluxe
- 8 - I.C Engine, Mod. 11421 Canada Model - uses Radio Suppression Sparkplugs
- 9 - Troy Mfr.
- 10 - 03 & Later - Single Pulley (STD)

- 11 - Single Speed Pulley (STD)
1755630 - High Speed Pulley (OPT)
1755343 - Low Speed Pulley (OPT)
- 12 - Quantum
- 13 - Scars
- 14 - Manual Speed Adjustment
- 15 - 6 Speed Remote Control
- 16 - BBC
- 17 - World Cup Graphics
- 18 - 2 Mulching Blades
- 19 - CARB Compliant
- 20 - 5 Speed Remote Control
- 21 - EPA compliant, 3yr Warranty
- 22 - Combination Deck -
Mulching and Side Discharge

WALK BEHIND ATTACHMENT INTERCHANGEABILITY*

Description	Model No.	Accessory No.	PRE 1988 MULCHING MOWERS							
			7454	8340 8341	8342 8343 8344	8440	8444	8535 8544 8545	6544 8548 8554 8555	8556
Bag Adaptor Kit	6835			X	X	X	X			
Chute & Bag	6833			X	X	X	X			
Chute & Support Arm	6836		X			X	X	X	X	X
Electric Start Kit	6839						X			
Grass Bag ONLY - Side	6827 6837		X	X	X	X	X	X	X	X
		1731986	X	X	X	X	X	X	X	X
Grass Bag Kit - Side	6863	1760735	X			X	X	X		
(Use 6882)	6880	1731425							X	
	6882	1732191							X	X
	6904	1760734							X	X
	6883	1733763	X		X	X	X			
	6915	1760735	X		X	X	X			
-Rear	6891	1740095							X	X
		1743595							X	X
Leaf Bag ONLY	6838	1731985**	X			X	X	X	X	X
Leaf Bag Kit (use w/6880, 6882, & 6883)	6881	1731987	X				X	X	X	X
(use 6881)	6887	1739685					X	X	X	X
Side Discharge Chute	6890	1740090				X	X	X	X	X

* NOTE: Check Accessory or Sales Price List for availability.

** Needs: 1 - 1722742 Bag Hanger
1 - 1722743 Bag Hanger Ext.
1 - 1100346 Cotter Pin

WALK BEHIND ATTACHMENT INTERCHANGEABILITY* (cont'd)

1988 and Later Models	SKU/ Accessory No.	Disch.	Mulching Mower				Combo	3 in 1	Remarks
					34020	34326			
					34021	34327			
					34022	34331			
					34023	34344	8352	34360	
					34050	34345	8362	34361	
			8624/R		34051	34346	8364	34362	
			8628/R		34052	34347	8372	34366	
			8635		34053	34348	8374	34367	
			8638		34311	34349	9052	34368	
			8639	8557	34312	34350	9053		
			8642	8653	34313	34354	9062		
			8643	8654/R	34320	34355	9064		
			8644	8655/R	34321		9074		
			8647	8656/R	34322		9262		
		8610	8648	8657	34323		Vacu		
		8612	8649	34007	34325		Cut		
Description									
Bags - Disposable (2bu.)	6909						X		
Bag Kit - Side (Bolens) (Generic)	6808			X					
	6809 - 1759270			X					
(2 pc. handle)	6810 - 1746634	X							
	6882 - 1732191		X						
(Rear)	6904 - 1760734		X						
	6891 - 1740095		X						
	1743695		X						
	34505				X	X			
Bag ONLY - Side	1731986		X	X					
	1759269		X	X					
Blade Kit 20"	1761695		X						Blade, hub & hdwe.
21"	1753029						X		Blade Only
21"	1768306				X	X			Blade & hdwe.- Std.
21"	1768307				X	X			Blade & hdwe.- BBC
22"	1759335		X	X					Blade, hub & hdwe.
21"	1917054							X	Blade Only
Side Discharge Kit (Bolens)	6911						X		
(Generic)	6912			X					
	6913 - 1759280			X					
Side Discharge Chute Kit	6890 - 1740090			X					
Thatch Eliminator	6908						X		

***NOTE: Check Accessory or Sales Price List for availability.**

WALK BEHIND ATTACHMENT INTERCHANGEABILITY* (cont'd)

Specialty Mowers		Tuff Cut	High Wheel		Wide Cut	Trail Blazer	Sickle	Trimmer Mower	Remarks
SKU/Description	Accessory No.	All Models	34036 34037 34038 34039 34040	34066 34067 34068 34069 34085	34041 34042 34044 34071 34072 34073 34342 34343 34359 34356	All Models	All Models	52027 52028 52029 52036 52051 52052 52056 52057 52058 52063 52064	
Blade Kit									
22"	1768479		X	X					Blade & Hdwe.
22"	T49943	X							Blade Only
24"	T49944	X							Blade Only
26"	1768480		X	X					Blade & Hdwe.
33"	1768492				X				Blade & Hdwe.
33"	1769987				X				Blade & Hdwe.
34"	1765992						X		Knife Assy. Kit
34"	P406663					X			Blade Only
38"	1766762						X		Knife Assy. Kit
38"	P406666					X			Blade Only
	P406732					X			Blade Maint. Kit
42"	1766763						X		Knife Assy. Kit
	1766766						X		Blade Maint. Kit
Electric Start Kit	34503				(1)				
Side Bag Kit	34504		X	X					Chute, Bag & Hdwe Front Swivel
Wheel Kit	34506		X	X					
Bag Attachment	34507				(2)				
String Kit .155	1904476							X	
String Kit .130	1904477							X	

***NOTE: Check Accessory or Sales Price List for availability. Most kits now available by component only**

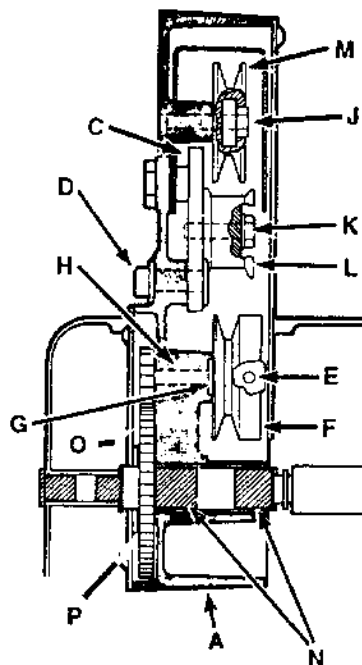
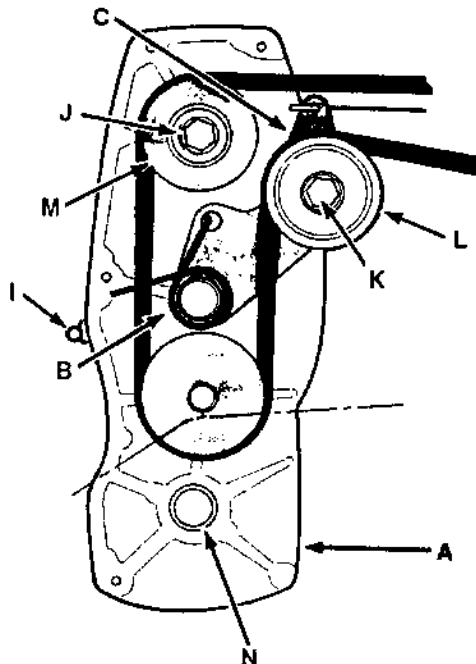
1 - Models 34042 & 34072

2 - Models equipped with combo deck only (Set up for side discharge)

STEEL DECK MULCHING MOWER GEARCASE ASSEMBLY

PART NUMBER 1761937

(Will Not Include Gears)



Item	Part #	Description	Qty
A	1761625001	Gear Case	1
B	1757640	Spring, Torsion	1
C	1757745	Arm Assy. Idler	1
D	1724791	Pushnut, .38 Dia	1
E	1185271	Pin, Roll	1
F	1758229	Sheave, "O" Sect	1
G	1702646	Washer, Shim	1
H	1758230	Bearing, Bronze	1
I	1185976	Fitting, Grease	1
J	1100078	Screw, Hex Hd.	1
K	1100046	Screw, Hex Hd	1
L	1752988	Cap, .375-g16 x 1	1
M	1761754	Idler	1
N	1185319	Bearing, bronze	2
O	1758050	Small Gear	1
P	1761969	Large Gear	1

Note: O and P not included with assembly

Note: Check for availability of parts

ALUMINUM DECK MULCHING MOWER DRIVE

ADJUSTMENTS

Full Throttle (No Load)

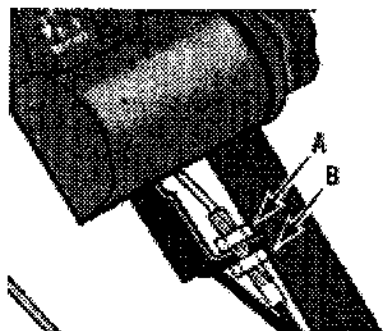
(Aluminum Deck Models)

21" - 3300 RPM

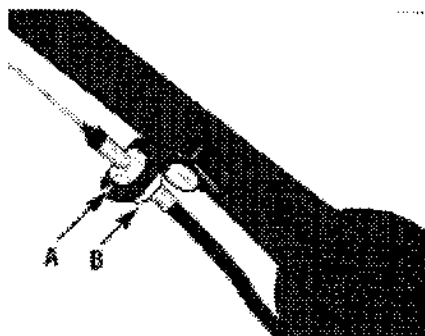
Axle End Play - .005 to .015

Drive Disk Gap - .010 to .015

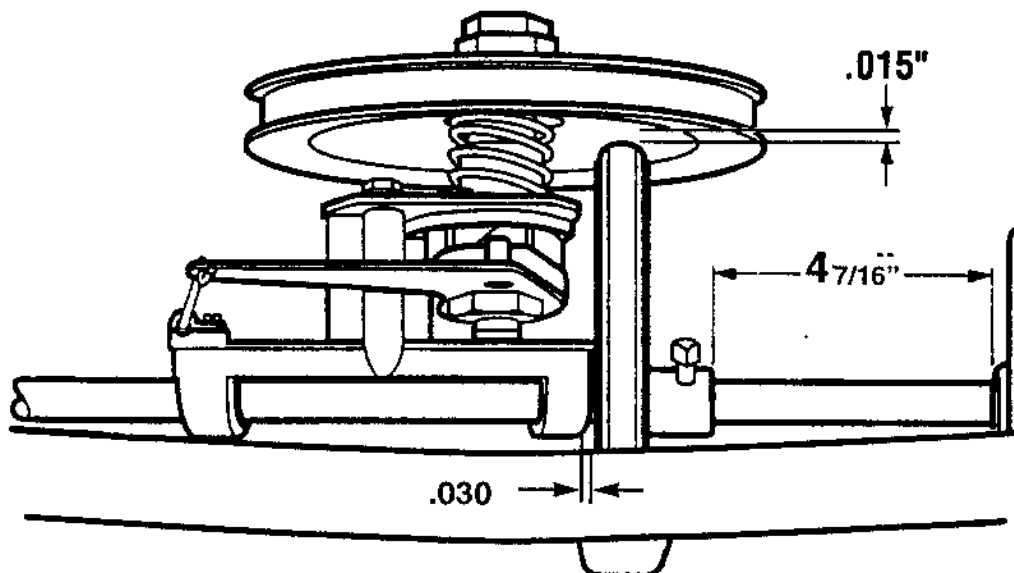
Drive Disc Location to Tab 4 7/16"



Cable adjustment nuts (on all models except 34311, 34312 and 34331 - BBC units).

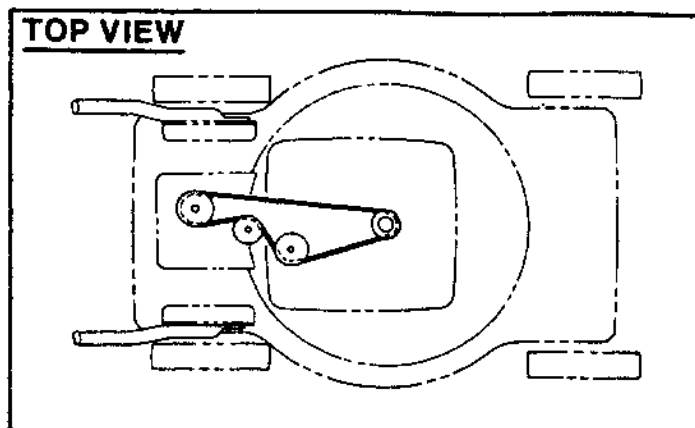


Cable adjustment nuts on Models 34311, 34312 and 34331 -BBC units).



NOTE: Verify SB 405 or 409 has been performed

COMBO MOWER BELT DIAGRAM



MODELS	BELT	BLADE	REMARKS
8000 Series	1744706	1751965	2 speed
9000 Series (01 & 02)	1744706	1751965	2 speed
9000 Series (02 & 04) Vacu Cut	1753373	1751965	*single speed w/optional low & high

*Std. sheave - 1755345
 Low speed sheave - 1755343
 High speed sheave - 1755630
 Engine sheave - 1752998

NOTE: Check Accessory or Sales Price List for availability.

SAFETY SPECIFICATIONS FOR POWER LAWN MOWERS

(Units with blade bolted directly to crankshaft)

The United States of America Standards Institute, (formerly American Standards Association), has issued the following Safety Standard. This standard (B71.16-1977, paragraph 10.3) specifies that "the maximum tip speed of any blade should be 19,000 feet per minute". Since blade tip speed is a function of engine R.P.M., lower tip speeds usually require lower engine speeds. The chart below lists various lengths of rotary lawnmower cutter blades, and the maximum blade rotational speeds, which will produce blade tip speeds of 19,000 feet per minute.

Blade Length	Maximum Rotational R.P.M.	Blade Length	Maximum Rotational R.P.M.
18"	4032	23"	3155
19"	3820	24"	3024
20"	3629	25"	2903
21"	3456	26"	2791
22"	3299		

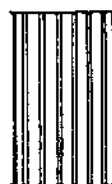
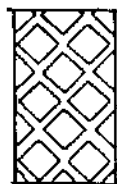
For engine protection, top governed speed should never exceed 4000 R.P.M.

HIGHWHEEL & WIDE CUT - Engine RPM Full Throttle (No Load)
(Blades not bolted to crankshaft on these models)

22" - 3300 RPM
 26" - 3000 RPM
 33" - 3300 RPM

**WALK BEHIND MOWERS
WHEELS AND TIRES**

(Combo & Mulcher Models)



"T" Checkerboard Grooved Rib Bolens Lug

<u>MODEL</u>	<u>S/N</u>	<u>REAR</u>	<u>FRONT</u>	<u>TREAD</u>	<u>TYPE</u>	<u>HUB CAP</u>
8118	01	1822007	1822021	Rib	Plastic	1822024
8352	01	1755995	1755995	"T"	Steel	1746364
	02	1755995	1755995	"T"	Steel	1746364
	03	1755995	1755995	"T"	Steel	1746364
8362	01	1756376	1755995	"T"	Steel - (rear w/gear)	1746364
	02	NLA	1755995	"T"	Steel	1746364
	04	1756376	1755995	"T"	Steel - (rear w/gear)	1746364
	05	1756376	1755995	"T"	Steel - (rear w/gear)	1761762
8364	01	1756376	1755995	"T"	Steel - (rear w/gear)	1746364
	02	1756376	1755995	"T"	Steel - (rear w/gear)	1761762
8372	01	1756376	1755995	"T"	Steel - (rear w/gear)	1746364
	02	NLA	1755995	"T"	Steel	1746364
	04	1756376	1755995	"T"	Steel - (rear w/gear)	1761762
8374	01	1756376	1755995	"T"	Steel - (rear w/gear)	1761762
8518	01	NLA	NLA	Smooth	Plastic	1723630
8521	01	1755995	1755995	"T"	Steel	1723630
	02	1755995	1755995	"T"	Steel	1761762
8532	01	NLA	NLA	Smooth	Plastic	1723630
8535	01	1755995	1755995	"T"	Steel	1723630
8544	01	1755995	1755994	"T"	Steel	1723630
	02	1755995	1755994	"T"	Steel	1723630
8545	01	1755995	1755994	"T"	Steel	1723630
8548	01	1755995	1755994	Smooth	Plastic	1723630
8554	01	1755995	1755994	"T"	Steel	1723630
	02/03	1755995	1755994	"T"	Steel	1723630
8555	01/02	1755995	1755994	"T"	Steel	1723630
	03/04	1755995	1755994	"T"	Steel	1723630
	05	1755995	1755994	"T"	Steel	1723630
8556	01	1755995	1755994	"T"	Steel	1723630
			1723679	Checkerboard	Plastic	1723630
8557	01	1755995	1755994	"T"	Steel	1761762
8610	01-03	1746745	1746745	Grooved	Plastic	1723630
8612	01	1746745	1746745	"T"	Steel	1746364
8618	01	NLA	NLA	Smooth	Plastic	1723630
	02/03	NLA	NLA	Smooth	Plastic	1723630
8621	01	1755995	1755995	"T"	Steel	1723630
8622	01	1755995	1755995	"T"	Steel	1723630
8623	01/02	1755995	1755995	"T"	Steel	1761762
	02	1755995	1755995	"T"	Steel	1761762
	03	1755995	1755995	"T"	Steel	1761762
8624	01/02	1755995	1755995	"T"	Steel	1761762
8625B	01/02	1761980	1761980	"T"	Steel	1762240
8624R	01	NLA	NLA			
8628	01	1755995	1755995	"T"	Steel	1761762
8628	02	1761981	1761981	"T"	Steel	1762240

WALK BEHIND MOWERS WHEELS AND TIRES (cont'd)

<u>MODEL</u>	<u>S/N</u>	<u>REAR</u>	<u>FRONT</u>	<u>TREAD</u>	<u>TYPE</u>	<u>HUB CAP</u>
8628R	01	NLA	NLA			1761762
	02/03	1761981	1761981	"T"	Steel	1762241
8628RS	01	NLA	NLA	"T"	Steel	1761762
	02	1761981	1761981	"T"	Steel	1762241
	03	1761981	1761981	"T"	Steel	1762241
8635	01	1755995	1755995	"T"	Steel	1723630
8638	01	1755995	1755995	"T"	Steel	1723630
8639	01	1755995	1755995	"T"	Steel	1723630
8642	01	1755995	1755995	"T"	Steel	1723630
8643	01/02	1755995	1755994	"T"	Steel	1746364
	02	1755995	1755994	"T"	Steel	1746364
	03	1755995	1755994	"T"	Steel	1761762
8644	01	1755995	1755994	"T"	Steel	1723630
	02/03	1755995	1755994	"T"	Steel	1723630
8645	01	1755995	1755994	"T"	Steel	1723630
8647	01	1755995	1755994	"T"	Steel	1761762
8648	01/02	1755995	1755994	"T"	Steel	1723630
	03	1755995	1755994	"T"	Steel	1723630
8649	01	1755995	1755994	"T"	Steel	1723630
8653	01	1755995	1755994	"T"	Steel	1761762
8654	01	1755995	1755994	"T"	Steel	1761762
	02/03/04/05	1761981	1762021	"T"	Steel	1762240
8654R	01	NLA	1758332	"T"	Steel	1761762
	02/03/04/05	1761981	1762021	"T"	Steel	1762241
8654RS	01	NLA	1738332	"T"	Steel	1761762
	02	1761981	1762021	"T"	Steel	1762241
	03	1761981	1762021	"T"	Steel	1762241
	04	1761981	1762021	"T"	Steel	1762241
	05	1761981	1762021	"T"	Steel	1762241
8655	01	1755995	1755994	"T"	Steel	1761762
	02/03/04	1761981	1762021	"T"	Steel	1762240
8655R	01	NLA	1758332	"T"	Steel	1761762
	02/03/04/05	1761981	1762021	"T"	Steel	1762241
8655RS	01	NLA	NLA	"T"	Steel	1761762
	02	1761981	1762021	"T"	Steel	1762241
	03	1761981	1762021	"T"	Steel	1762241
	04	1761981	1762021	"T"	Steel	1762241
	05	1761981	1762021	"T"	Steel	1762241
8656	01	1755995	1755994	"T"	Steel	1751762
	02/03/04	1761981	1762021	"T"	Steel	1762240
8656R	01	NLA	1758332	"T"	Steel	1761762
	02/03/04	1761981	1762021	"T"	Steel	1762241
8656RS	01	NLA	1758332	"T"	Steel	1761762
	02	1761981	1762021	"T"	Steel	1762241
	03	1761981	1762021	"T"	Steel	1762241
	04	1761981	1762021	"T"	Steel	1762241
	05	1761981	1762021	"T"	Steel	1762241
8657	01	1755995	1755994	"T"	Steel	1761762
8660	01	NLA	NLA	Rib	Plastic	N/A
	02	NLA	NLA	Checkerboard	Plastic	N/A
8661	01	1756376	NLA	"T"	Steel - (rear w/gear)	N/A
8668	01	1756376	NLA	"T"	Steel - (rear w/gear)	N/A

WALK BEHIND MOWERS WHEELS AND TIRES (cont'd)

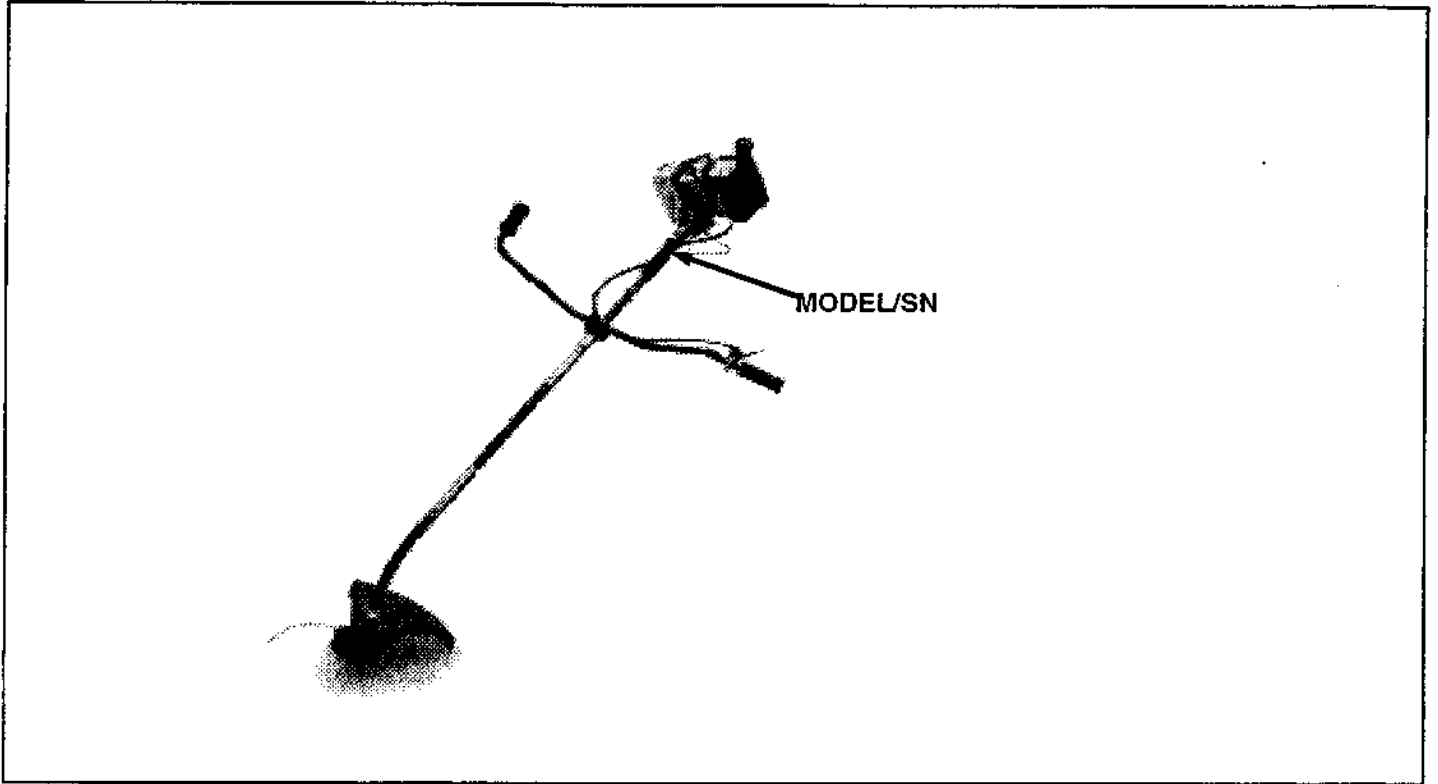
<u>MODEL</u>	<u>S/N</u>	<u>REAR</u>	<u>FRONT</u>	<u>TREAD</u>	<u>TYPE</u>	<u>HUB CAP</u>
9052	01	1755995	1755995	"T"	Steel	1761762
9053	01	1755995	1755995	"T"	Steel	1761762
	02	1755995	1755995	"T"	Steel	1761762
9062	01/02	1756376	1755995	"T:"	Steel	1761762
	03/04	1756376	1755995	"T"	Steel - (rear w/gear)	1761762
9064	01/02	1756376	1755995	"T"	Steel	1761762
9074	01/02	1756376	1755995	"T"	Steel	1761762
	03/04	1756376	1755995	"T"	Steel	1761762
9262	01	1756376	1755995	"T"	Steel - (rear w/gear)	1761762
	02	1756376	1755995	"T"	Steel - (rear w/gear)	1761762
9535	01	1755995	1755995	"T"	Steel	1723630
9544	01	1755995	1755995	"T"	Steel	1723630
	02	1755995	1755994	"T:"	Steel	1723630
9545	01	1755995	1755994	"T"	Steel	1723630
	02	1755995	1755994	"T"	Steel	1723630
9635	01	1755995	1755995	"T"	Steel	1723630
9444	01	1755995	1755994	"T"	Steel	1723630
9445	01	1755995	1755994	"T"	Steel	1723630
11300/01	01	NLA	1754231	"T"	Steel	1761762
34007	01	1761981	1762021	"T"	Steel	1762241
34020	01/02	1765740	1765740	Lug	Plastic	None
34021	01/02	1765740	1765750	Lug	Plastic	None
34022	01/02	1765740	1765750	Lug	Plastic	None
34023	01/02	1765740	1765750	Lug	Plastic	None
34050	01	1765740	1765740	Lug	Plastic	None
34051	01	1765740	1765740	Lug	Plastic	None
34052	01	1765740	1765740	Lug	Plastic	None
34053	01	1765740	1765740	Lug	Plastic	None
34311	01	1765740	1765750	Lug	Plastic	None
34312	01	1765740	1765740	Lug	Plastic	None
34313	01	1765740	1765750	Lug	Plastic	None
34024	01	1765740	1765750	Lug	Plastic	None
34320(C)	01	1765740	1765750	Lug	Plastic	None
34321(C)	01	1765740	1765750	Lug	Plastic	None
34322(C)	01	1765740	1765750	Lug	Plastic	None
34323(C)	01	1765740	1765750	Lug	Plastic	None
34344	11	1765740	1765750	Lug	Plastic	None
34345	11	1765740	1765750	Lug	Plastic	None
34346	11	1765740	1765750	Lug	Plastic	None
34360	11	1765740	1765750	Lug	Plastic	None
34361	11	1765740	1765750	Lug	Plastic	None
34362	11	1765740	1765750	Lug	Plastic	None
34366	11	1765740	1765750	Lug	Plastic	None
34367	11	1765740	1765750	Lug	Plastic	None
34386	11	1765740	1765750	Lug	Plastic	None

BRUSHCUTTERS

TYPE	CHAPTER	SECTION	PAGE
<u>BRUSHCUTTER</u>			
Identification / Models,	2	1	1
Specifications & Accessories	2	2	1

BRUSHCUTTER IDENTIFICATION

Brushcutter/Power Scythe



BRUSHCUTTER MODELS AND SPECIFICATIONS

SKU/Model	Serial No.	Engine Model & Type	H.P.	Remarks
1985 - Present Power Scythe				
4989 (1985)	H1000-H7507	Tec TC-200-2001C (1)	1.6	<i>Standard Equip. (all models) Mono Filament, Tri Kut & Brush Blade Optional Equip.</i>
10788 (1986)	H007508-H010507	Tec TC-200-2001C (1)	1.6	
11069 (1987 & Later)	H110508/Up	Tec TC-200-2001C (1)	1.6	
52025		Tec TC-300-3130C (1)	2.0	H212090 - 8" Tri Cut Blade H216336 - Monofilament Head H213485 - Slash Head H214190 - 9" Brush Blade

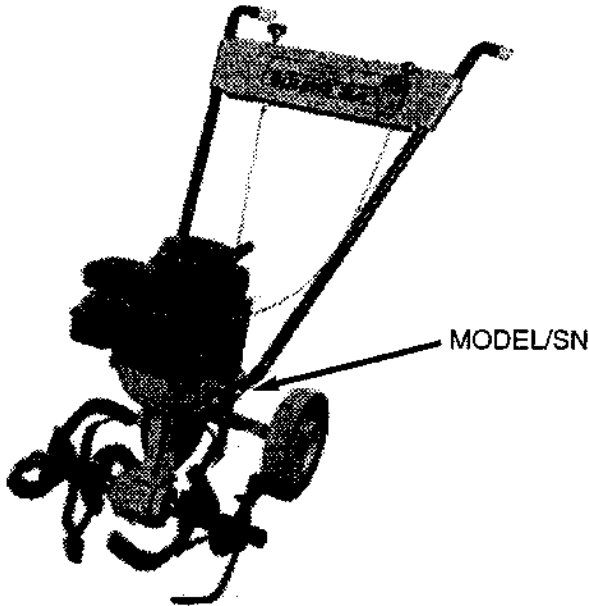
1 - 2 CYCLE

ROTARY TILLERS

TYPE	CHAPTER	SECTION	PAGE
<u>ROTARY TILLERS</u> Identification	3	1	1-5
Models & Specifications	3	2	1-17
Attachments	3	3	1-3

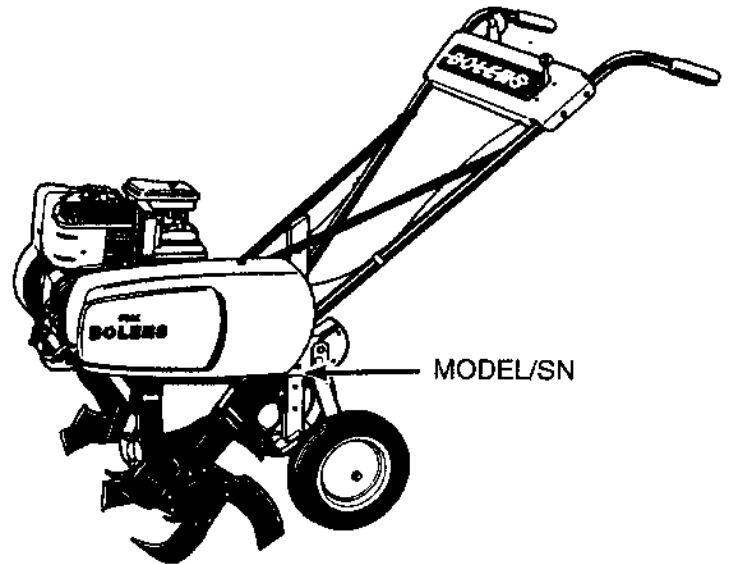
ROTARY TILLER IDENTIFICATION

FRONT TINE - VERTICAL SHAFT (A)



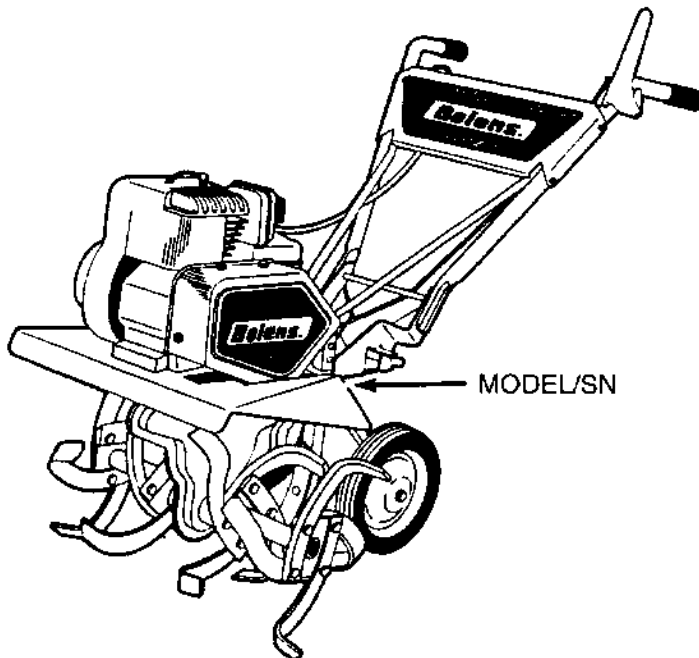
(Attachments - None)

FRONT TINE - CHAIN DRIVE (B)



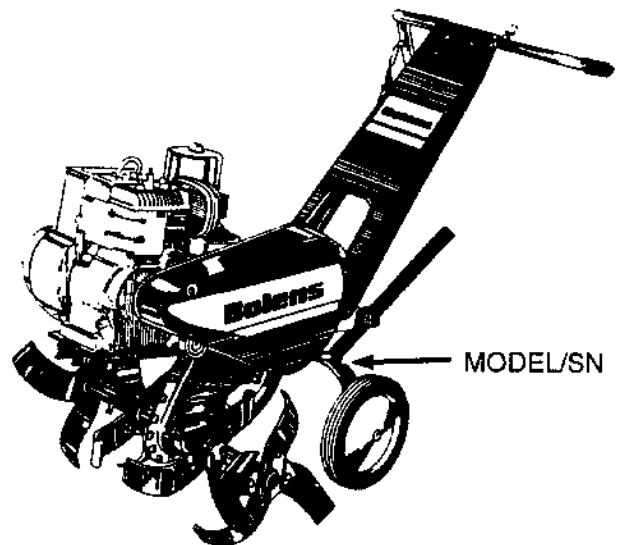
(Attachments - None)

FRONT TINE - CHAIN DRIVE (C)

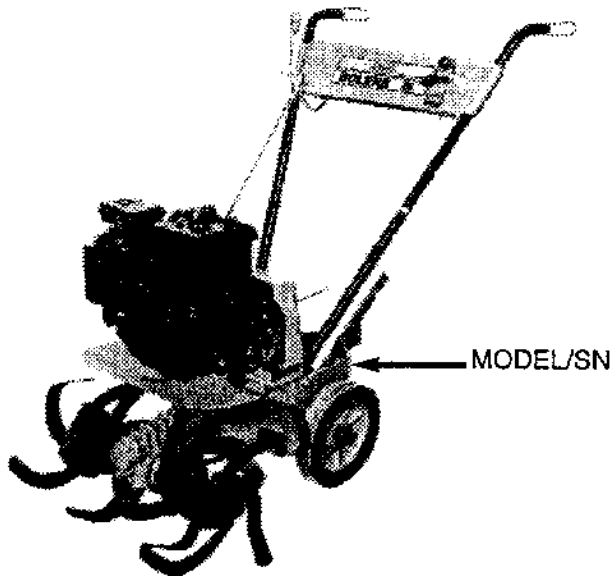


(Attachments - None)

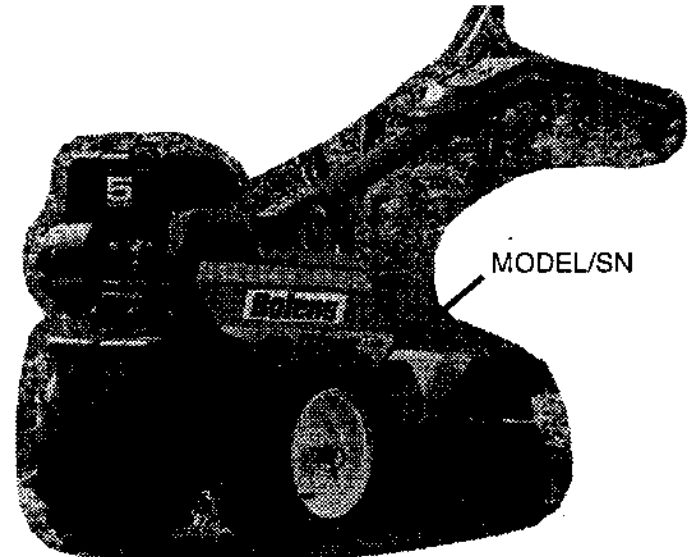
FRONT TINE - CHAIN DRIVE (D)



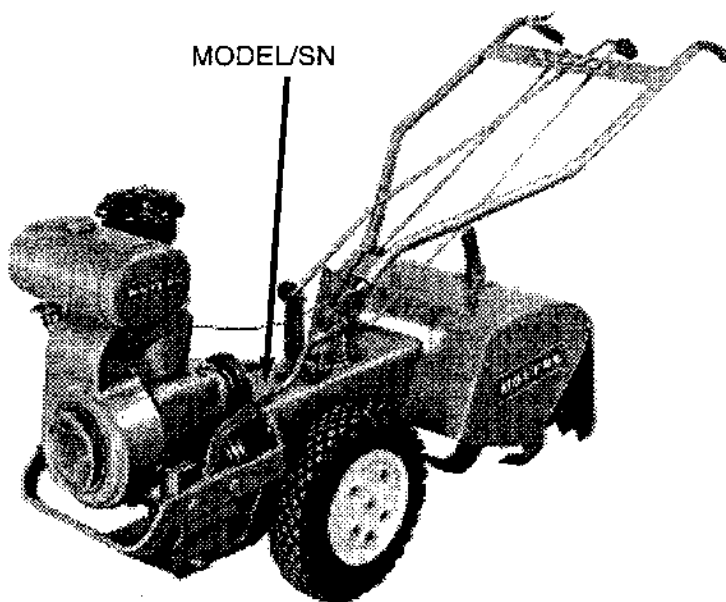
(Attachments - None)

ROTARY TILLER IDENTIFICATION (CONT'D)**FRONT TINE - HORIZONTAL DRIVE (E)**

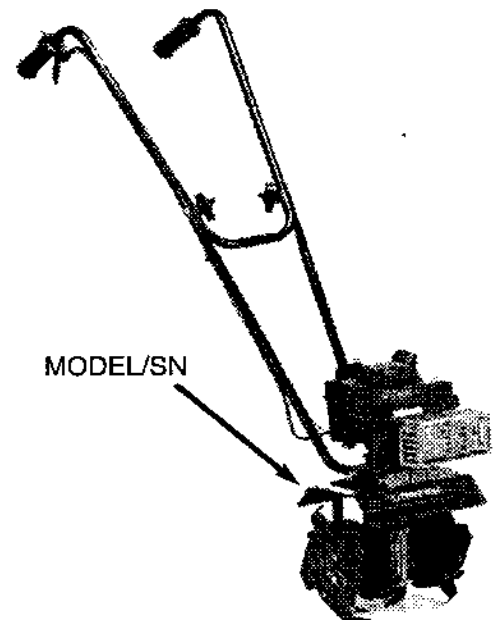
(Attachments - None)

REAR TINE - CHAIN DRIVE (F)

(Attachments - None)

REAR TINE - WHEEL DRIVE (G)

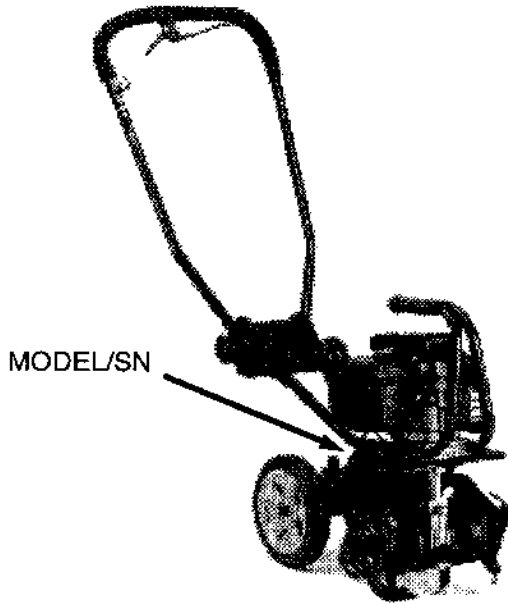
(Attachments - None)

SPEEDY HOE MINI TILLER (H)

(Attachments - Section 3 pg 1 and 2)

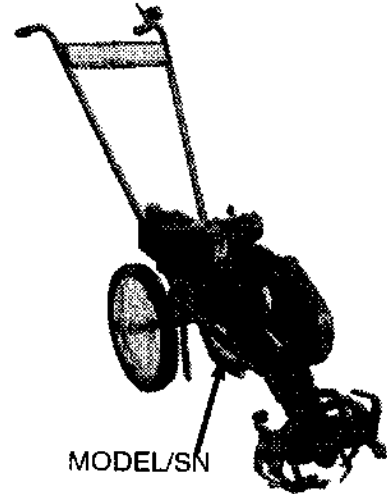
ROTARY TILLER IDENTIFICATION (CONT'D)

SMALL TILLER/EDGER ()



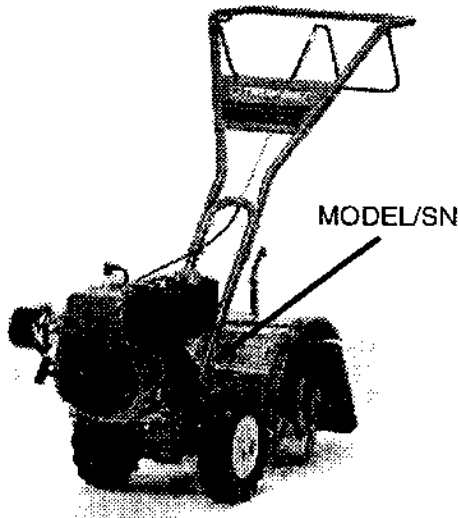
(Attachments - Section 3 pg 1 and 2)

**ROTO-ETTE/
CULTIVATOR PLUS® (I)**



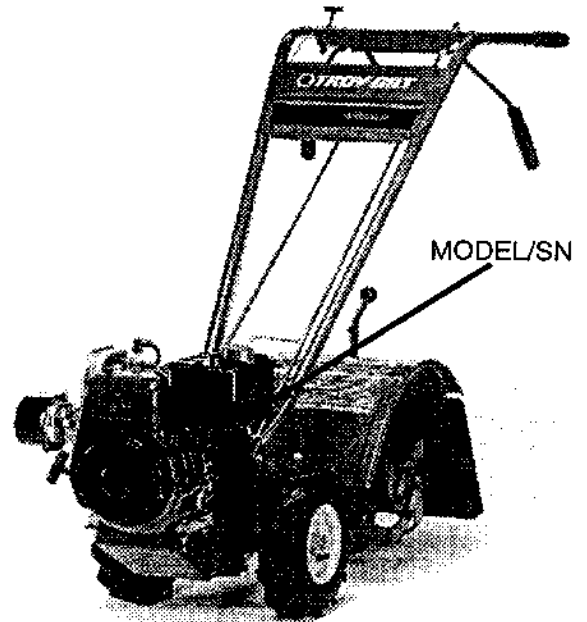
(Attachments - Section 3 pg 1 and 2)

TUFFY® (J)



(Attachments - Section 3 pg 1 and 2)

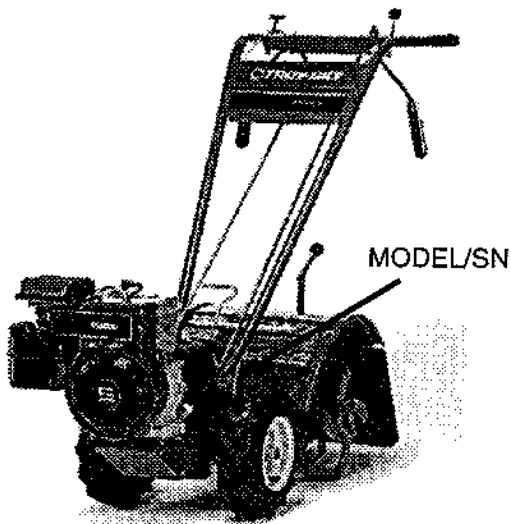
JUNIOR® (K)



(Attachments - Section 3 pg 1 and 2)

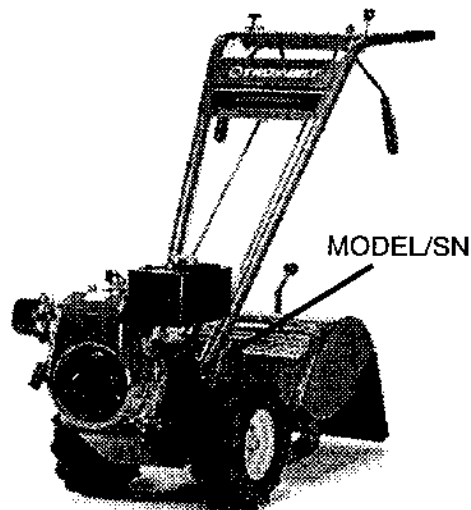
ROTARY TILLER IDENTIFICATION (CONT'D)

PONY® (L)



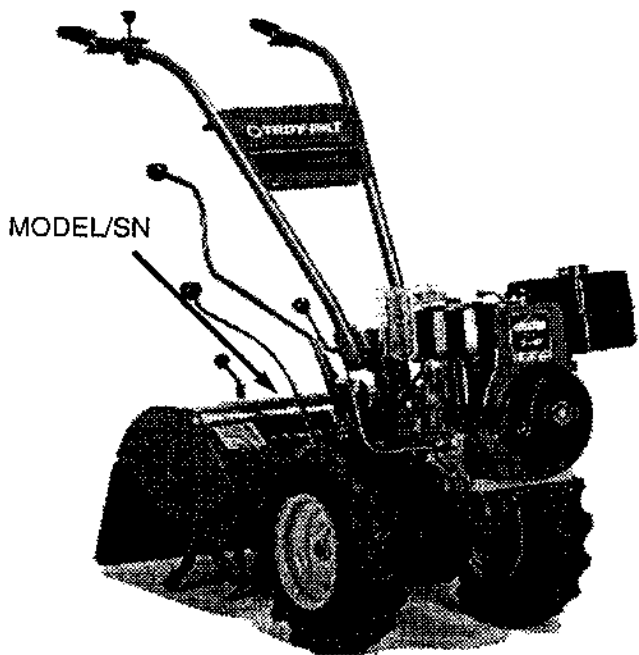
(Attachments - Section 3 pg 1 and 2)

ECONO-HORSE® (M)



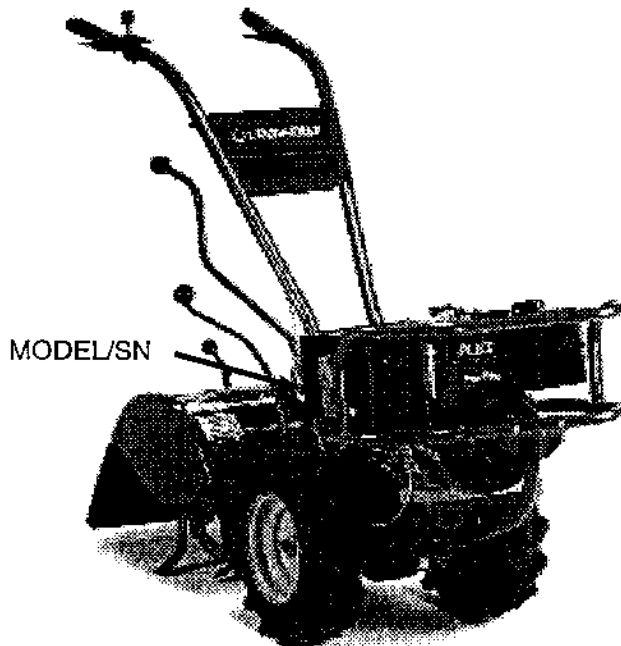
(Attachments - Section 3 pg 1 and 2)

Standard HORSE® (N)



(Attachments - Section 3 pg 1 and 2)

Professional HORSE® (O)



(Attachments - Section 3 pg 1 and 2)

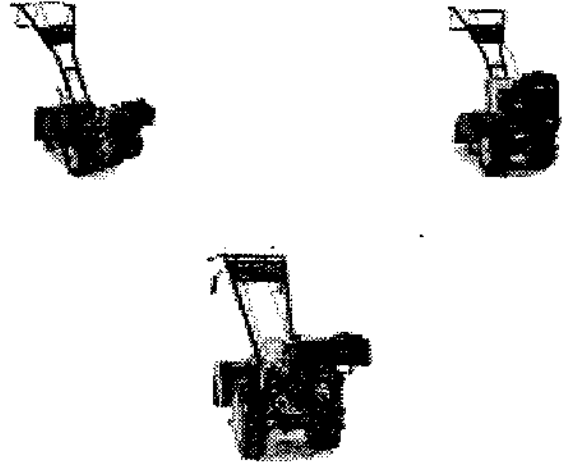
ROTARY TILLER IDENTIFICATION (CONT'D)

VERSATILLER®(P)



(Attachments - Section 3 pg 1 and 2)

CRT TILLERS(Q)



(Attachments - Section 3 pg 1 and 2)

ROTARY TILLER MODELS AND SPECIFICATIONS

SKU/MODEL	*	Serial Number	**	Engine Model & Type	HP	Till Width	Remarks
1954/1955							
M16	ME	NA	G	Cl. 990-100	2.5	16"	Horiz. Wheel Drive
BA12C2	ME	NA	G	Cl.	2.0	12"	Horiz. Wheel Drive
BA12C3	ME	NA	G	Cl.	3.0	12"	Horiz. Wheel Drive
BA12C4	ME	NA	G	Cl. D1107-C5B	3.0	12"	Horiz. Wheel Drive
BA16W41/2	ME	NA	G	Wis. ACN	4.5	16"	Horiz. Wheel Drive
BA16W6	ME	NA	G	Wis. BKN	6.0	16"	Horiz. Wheel Drive
BA24W6	ME	NA	G	Wis. BKN	6.0	24"	Horiz. Wheel Drive
1956							
61	ME	NA	A	Cl. VS100-98928	2.5	16"	Vertical
M16A	ME	NA	G	Cl. 990-100	3.0	16"	Horizontal
M16	ME	NA	G	Cl. 3100	3.0	16"	Horizontal
BA12C3	ME	NA	G	Cl. D1107-C5B	3.0	12"	Horiz. Wheel Drive
BA16W41/2	ME	NA	G	Wis. ACN	4.5	16"	Horiz. Wheel Drive
BA16W6	ME	NA	G	Wis. BKN	6.0	16"	Horiz. Wheel Drive
BA24W6	ME	NA	G	Wis. BKN	6.0	24"	Horiz. Wheel Drive
710	ME	NA	NA	Elec.	NA	10"	Vertical
1957							
61	ME	NA	A	Cl. VS100-98928	2.5	12"	Vertical
61	ME	NA	G	B&S 6BH-900834	2.25	12"	Vertical
M16A	ME	NA	G	Cl. 3100	3.0	16"	Horizontal
M16B	ME	NA	G	Cl. 3100	3.0	16"	Horizontal
M16D	ME	NA	G	Cl. 900-2170	3.0	16"	Horizontal
BA12	ME	NA	G	Cl. D1107-C5B	3.0	12"	Horiz. Wheel Drive
BA16	ME	NA	G	Wis. BKN	6.2	16"	Horiz. Wheel Drive
BA24	ME	NA	G	Wis. BKN	6.2	24"	Horiz. Wheel Drive
70	B	NA	G	Ko. K91-31146A	3.6	16"	Horiz. Wheel Drive
710	B	NA	NA	Elec.	NA	10"	Vertical
1958							
2012	B	NA	E	Cl.	3.0	12"	Horiz. Wheel Drive
2016	B	NA	E	Cl. 900-2206	3.0	16"	Horizontal
2017	B	NA	E	Cl. 900-2170	3.0	16"	Horizontal
2063	B	NA	A	B&S 81702-944599	2.75	12"	Vertical
2071	B	NA	G	Ko. K91-31146A	3.6	16"	Horiz. Wheel Drive
2076	B	NA	G	Wis. BKN	7.0	16"	Horiz. Wheel Drive
2080 (80-01)	B	NA	G	Wis. AENL-146358	9.2	18"	Horiz. Wheel Drive
2710	B	NA	NA	Elec.	NA	10"	Vertical
1959							
2054	B	NA	A	La. LV22-H3228	2.25	12"	Vertical
2055	B	NA	A	Cl. VS3100-1124	3.25	12"	Vertical
2066	B	NA	E	B&S 81312+943584	3.0	16"	Horiz. Reverse
2067	B	NA	E	Cl. 900-2206	3.0	16"	Horiz. Reverse
2072	B	NA	G	Ko. K91-31146A	4.0	16"	Horiz. Wheel Drive
2077	B	NA	G	Ko. K161-28308E	7.0	16"	Horiz. Wheel Drive
2080 (80-01)	B	NA	G	Wis. AENL-146358	9.2	18"	Horiz. Wheel Drive

* B - Bolens

** See Section 3-1 for illustrations

ME - Milwaukee Equipment

More Footnotes: See Section 3-3

NA - Not Applicable

ROTARY TILLER MODELS AND SPECIFICATIONS (cont'd)

SKU/MODEL	*	Serial Number	**	Engine Model & Type	HP	Till Width	Remarks
1960							
2027	B	NA	A	La. LV30	3.0	17"	Vertical
2044	B	NA	A	La. LV25C-1090P	2.5	17"	Vertical
2046	B	NA	E	B&S 81392-9436963	3.0	17"	Horiz. Reverse
2048	B	NA	E	La. K35-D1080P	3.5	20"	Horiz. Reverse
2072	B	NA	G	Ko. K91-31146A	4.0	16"	Horiz. Wheel Drive
2077	B	NA	G	Ko. K161-28308E	7.0	16"	Horiz. Wheel Drive
2080	B	NA	G	Wis. AENL-146358	9.2	18"	Horiz. Wheel Drive
1961							
2033	B	NA	A	Cl. VS4100-2136	3.0	17"	Vertical
2051	B	NA	A	Cl. VS2100-3200	2.25	17"	Vertical
2056	B	NA	E	B&S 81392	3.0	17"	Horiz. Reverse
2058	B	NA	E	La. H35-2105	3.5	20"	Horiz. Reverse
2064	B	NA	E	Cl. B1290-1272	4.0	16"	Horiz. 2 Spds. Fwd.
2072	B	NA	G	Ko. K91-31146A	4.0	16"	Horiz. Wheel Drive
2077	B	NA	G	Ko. K161-28308E	7.0	16"	Horiz. Wheel Drive
1962/1963							
2041	B	N/A	A	B&S 82902-015701	3.0	17"	Vertical
2064	B	N/A	E	Cl. B1290-1272	4.5	16"	Horiz. 2 Spds. Fwd.
2100	B	N/A	E	B&S 80392-953018	3.0	16"	Horiz. Reverse
HORSE I							
N/A	TB	1001/UP	N	CL 498-0301-280	4.5	20"	2 Spd./2 Belt & Rev.
N/A	TB	1001/UP	N	B&S 195432-0149	8.0	20"	2 Spd./2 Belt & Rev.
1964							
2041-02	B	N/A	A	B&S 82902-015701	3.0	17"	Vertical
2101-01	B	N/A	E	B&S 100292-015401	4.0	16"	Horiz. Reverse
HORSE I							
N/A	TB	1001/UP	N	CL 498-0301-280	4.5	20"	2 Spd./2 Belt & Rev.
N/A	TB	1001/UP	N	B&S 195432-0149	8.0	20"	2 Spd./2 Belt & Rev.
1965							
2041-03	B	N/A	A	B&S 82902-015701	3.0	17"	Vertical
2101-01	B	N/A	E	B&S 100292-015401	4.0	16"	Horiz. Reverse
HORSE I							
N/A	TB	1001/UP	B	CL 498-0301-280	4.5	20"	2 Spd./2 Belt & Rev.
N/A	TB	1001/UP	B	B&S 195432-0149	8.0	20"	2 Spd./2 Belt & Rev.
1966							
2042-01	B	N/A	A	B&S 92902-015201	3.5	17"	Vertical
2101-01-02	B	N/A	E	B&S 100292-015401	4.0	16"	Horiz. Reverse
HORSE I							
N/A	TB	1001/UP	N	CL 498-0301-280	4.5	20"	2 Spd./2 Belt & Rev.
N/A	TB	1001/UP	N	B&S 195432-0149	8.0	20"	2 Spd./2 Belt & Rev.
1967							
2045-01	B	NA	A	B&S 92902-015201	3.5	17"	Vertical
2102-01	B	NA	E	B&S 130292-160245	5.0	16"	Horiz. Reverse
HORSE I							
N/A	TB	1001/UP	N	CL 498-0301-280	4.5	20"	2 Spd./2 Belt & Rev.
N/A	TB	1001/UP	N	B&S 195432-0149	8.0	20"	2 Spd./2 Belt & Rev.

* B - Bolens

TB - Troy-Bilt

ME - Milwaukee Equipment

** See Section 3-1 for illustrations

More Footnotes: See Section 3-3

NA - Not Applicable

ROTARY TILLER MODELS AND SPECIFICATIONS (cont'd)

SKU/MODEL	*	Serial Number	**	Engine Model & Type	HP	Till Width	Remarks
1968							
2045-01	B	N/A	A	B&S 92902-015201	3.5	17"	Vertical
2102-01	B	N/A	E	B&S 130292-160245	5.0	16"	Horiz. Reverse
HORSE I							
N/A	TB	1001/UP	N	CL 498-0301-280	4.5	20"	2 Spd./2 Belt & Rev.
N/A	TB	1001/UP	N	B&S 195432-0149	8.0	20"	2 Spd./2 Belt & Rev.
1969							
2045-02	B	N/A	A	B&S 92902-070401	3.5	17"	Vertical
2103-01	B	N/A	E	B&S 130292-012501	5.0	16"	Horiz. Reverse
HORSE I							
N/A	TB	1001/UP	N	CL 498-0301-280	4.5	20"	2 Spd./2 Belt & Rev.
N/A	TB	1001/UP	N	B&S 195432-0149	8.0	20"	2 Spd./2 Belt & Rev.
1970							
2049-01	B	N/A	A	B&S 92902-070401	3.5	17"	Vertical
2091-01	B	N/A	E	B&S 100202-014508	4.0	17"	Horiz.
2104-01	B	N/A	E	B&S 130292-012506	5.0	16"	Horiz. Reverse
HORSE I							
N/A	TB	1001/UP	N	CL 498-0301-280	4.5	20"	2 Spd./2 Belt & Rev.
N/A	TB	1001/UP	N	Tec HH60-105115H	6.0	20"	2 Spd./2 Belt & Rev.
N/A	TB	1001/UP	N	Koh K161T-2811293	7.0	20"	2 Spd./2 Belt & Rev.
N/A	TB	1001/UP	N	B&S 195432-0149	8.0	20"	2 Spd./2 Belt & Rev.
1971							
2049-01	B	N/A	A	B&S 92902-070401	3.5	17"	Vertical
2091-01	B	N/A	E	B&S 100202-014508	4.0	17"	Horiz.
2104-01	B	N/A	E	B&S 130292-012506	5.0	16"	Horiz. Reverse
HORSE I							
N/A	TB	1001/UP	N	CL 498-0301-280	4.5	20"	2 Spd./2 Belt & Rev.
N/A	TB	1001/UP	N	Tec HH60-105115H	6.0	20"	2 Spd./2 Belt & Rev.
N/A	TB	1001/UP	N	Koh K161T-281293	7.0	20"	2 Spd./2 Belt & Rev.
N/A	TB	1001/UP	N	B&S 195432-0149	8.0	20"	2 Spd./2 Belt & Rev.
1972							
2135-01	B	N/A	A	B&S 92902-070401	3.5	17"	Vertical
2150-01	B	N/A	E	B&S 130292-014103	5.0	16"	Horiz. Reverse
HORSE I							
N/A	TB	1001/UP	N	CL 498-0301-280	4.5	20"	2 Spd./2 Belt & Rev.
N/A	TB	1001/UP	N	Tec HH60-105115H	6.0	20"	2 Spd./2 Belt & Rev.
N/A	TB	1001/UP	N	Koh K161T-281293	7.0	20"	2 Spd./2 Belt & Rev.
N/A	TB	1001/UP	N	B&S 195432-0149	8.0	20"	2 Spd./2 Belt & Rev.
1973							
2135-02	B	NA	A	B&S 92902-131601	3.5	17"	Vertical
2150-01	B	NA	E	B&S 130292-014103	5.0	16"	Horiz. Reverse
HORSE I							
N/A	TB	1001/UP	N	CL 498-0301-280	4.5	20"	2 Spd./2 Belt & Rev.
N/A	TB	1001/UP	N	Tec HH60-105115H	6.0	20"	2 Spd./2 Belt & Rev.
N/A	TB	1001/UP	N	Koh K161T-281293	7.0	20"	2 Spd./2 Belt & Rev.
N/A	TB	1001/UP	N	B&S 195432-0149	8.0	20"	2 Spd./2 Belt & Rev.
1974							
2135	B	0300101/UP	A	B&S 92902-131601	3.5	17"	Vertical
2150	B	0200101/UP	E	B&S 130292-014103	5.0	16"	Horiz. Reverse
HORSE I							
N/A	TB	1001/UP	N	CL 498-0301-280	4.5	20"	2 Spd./2 Belt & Rev.

* B - Bolens

TB - Troy-Bilt

** See Section 3-1 for illustrations

More Footnotes: See Section 3-3

NA - Not Applicable

ROTARY TILLER MODELS AND SPECIFICATIONS (cont'd)

SKU/MODEL	*	Serial Number	**	Engine Model & Type	HP	Till Width	Remarks
1974 (cont'd)							
horse I							
N/A	TB	1001/UP	N	Koh K161T-281293	7.0	20"	2 Spd./2 Belt & Rev.
N/A	TB	1001/UP	N	B&S 195432-0149	8.0	20"	2 Spd./2 Belt & Rev.
1975							
2135	B	0400101/UP	A	B&S 92902-131601	3.5	17"	Vertical
2150	B	0300101/UP	E	B&S 130292-014103	5.0	16"	Horiz. Reverse
HORSE I							
N/A	TB	1001-2730	N	CL 498-0301-280	4.5	20"	2 Spd./2 Belt & Rev.
N/A	TB	1001-2730	N	Tec HH60-105115H	6.0	20"	2 Spd./2 Belt & Rev.
N/A	TB	1001-2730	N	Koh K161T-281293	7.0	20"	2 Spd./2 Belt & Rev.
N/A	TB	1001-2730	N	B&S 195432-0149	8.0	20"	2 Spd./2 Belt & Rev.
1976							
2135	B	0400101/UP	A	B&S 92902-131601	3.5	17"	Vertical
2150	B	0300101/UP	E	B&S 130292-014103	5.0	16"	Horiz. Reverse
2230	B	0100101/UP	B	B&S 80202-051001	3.0	24"	Chain Drive
2235	B	0100101/UP	A	B&S 92902-131602	3.5	17"	Vertical
2250	B	0100101/UP	B	B&S 130202-033501	5.0	24"	Chain Drive
2255	B	0100101/UP	E	B&S 130292-061101	5.0	16"	Horiz. Reverse
HORSE I							
N/A	TB	2731/UP	N	CL 498-0301-280	4.5	20"	2 Spd./2 Belt & Rev.
N/A	TB	2731/UP	N	Tec HH60-105115H	6.0	20"	2 Spd./2 Belt & Rev.
N/A	TB	2731/UP	N	Koh K161T-281293	7.0	20"	2 Spd./2 Belt & Rev.
N/A	TB	2731/UP	N	B&S 195432-0149	8.0	20"	2 Spd./2 Belt & Rev.
PONY I							
N/A	TB	P1001-P12183	L	B&S 100292-0521	4.0	14.5"	
20458/60/63	TB	P1001-P12183	L	B&S 130297-0782 (1)	5.0	14.5"	
20459/61/62	TB	P1001-P12183	L	B&S 1302929-0793	5.0	14.5"	
1977							
2230	B	0100101/UP	B	B&S 80202-0510	3.0	24"	Chain Drive
22351	B	0100101/UP	A	B&S 92902-131602	3.5	17"	Vertical
2250	B	0100101/UP	B	B&S 130202-0335	5.0	24"	Chain Drive
2255	B	0100101/UP	E	B&S 130292-061101	5.0	16"	Horiz. Reverse
PONY I							
N/A	TB	P12184-P21735	L	B&S 100292-0521	4.0	14.5"	
20458/60/63	TB	P12184-P21735	L	B&S 130297-0782 (1)	5.0	14.5"	
20459/61/62	TB	P12184-P21735	L	B&S 130292-0793	5.0	14.5"	
HORSE I							
N/A*	TB	254202-299725	N	CL 498-0301-280	4.5	20"	2 Spd./2 Belt & Rev.
N/A	TB	254202-299725	N	Tec HH60-105115H	6.0	20"	2 Spd./2 Belt & Rev.
N/A	TB	254202-299725	N	Koh K161T-281293	7.0	20"	2 Spd./2 Belt & Rev.
N/A	TB	254202-299725	N	B&S 195432-0149	8.0	20"	2 Spd./2 Belt & Rev.
1978							
2230	B	0100101/UP	B	B&S 80202-051002	3.0	24"	Chain Drive
2235	B	0200101/UP	A	B&S 92902-131602	3.5	17"	Vertical
2250	B	0100101/UP	B	B&S 130202-074801	5.0	24"	Chain Drive
2255	B	0100101/UP	E	B&S 130292-061101	5.0	16"	Horiz. Reverse
PONY I							
20458/60/63	TB	P21736-P33556	L	B&S 130297-0782 (1)	5.0	14.5"	
20459/61/62	TB	P21736-P33556	L	B&S 130292-0793	5.0	14.5"	

3 - Bolens

TB - Troy-Bilt

** See Section 3-1 for illustrations

More Footnotes: See Section 3-3

NA - Not Applicable

ROTARY TILLER MODELS AND SPECIFICATIONS (cont'd)

SKU/MODEL	*	Serial Number	**	Engine Model & Type	HP	Till Width	Remarks
1978 (cont'd)							
HORSE I							
N/A	TB	299726-315295	N	CL 498-0301-280	4.5	20"	2 Spd./2 Belt & F
N/A	TB	299726-315295	N	Dec HH60-105115H	6.0	20"	2 Spd./2 Belt & Rev.
N/A	TB	299726-315295	N	Koh K161T-281293	7.0	20"	2 Spd./2 Belt & Rev.
N/A	TB	299726-315295	N	B&S 195432-0149	8.0	20"	2 Spd./2 Belt & Rev.
HORSE II							
1648/55	TB	314152-368621	N	B&S 195437-0150 (1)	8.0	20"	4 Spd.- Reverse
1649/56	TB	314152-368621	N	B&S 195432-0149	8.0	20"	4 Spd.- Reverse
1650/57/67	TB	314152-368621	N	Koh K161T-281293	7.0	20"	4 Spd.- Reverse
1651/52/58/59/65/66	TB	314152-368621	N	Tec HH60-105126J (1)	6.0	20"	4 Spd.- Reverse
1653/54/60/61/62/63/64	TB	314152-368621	N	Tec HH60-105127J	6.0	20"	4 Spd.- Reverse
1979							
2230	B	0200101/UP	B	B&S 80202-051002	3.0	24"	Chain Drive
2235	B	0200101/UP	A	B&S 92902-131602	3.5	17"	Vertical
2250	B	0200101/UP	B	B&S 130202-074801	5.0	24"	Chain Drive
2255	B	0100101/UP	E	B&S 130292-061101	5.0	16"	Horiz. Reverse
PONY I							
20458/60/63	TB	P33557-P45772	L	B&S 130297-0782 (1)	5.0	14.5"	
20459/61/62	TB	P33557-P48772	L	B&S 130292-0793	5.0	14.5"	
HORSE II							
1648/55/69	TB	368622-439736	N	B&S 195437-0150 (1)	8.0	20"	4 Spd.- Reverse
1649/56/68	TB	368622-439736	N	B&S 195432-0149	8.0	20"	4 Spd.- Reverse
1650/57/67	TB	368622-439736	N	Koh K161T-281293	7.0	20"	4 Spd.- Reverse
1651/52/58/59/65/66	TB	368622-439736	N	Tec HH60-105126J	6.0	20"	4 Spd.- Reverse
1653/54/60/61/63/64	TB	368622-439736	N	Tec HH60-105127J	6.0	20"	4 Spd.- Reverse
1980							
PONY I							
20458/60/63	TB	P48773-P68033	L	B&S 130297-0782 (1)	5.0	14.5"	
20459/61/62	TB	P48773-P68033	L	B&S 130292-0793	5.0	14.5"	
HORSE II							
1648/55/69	TB	435849-518348	N	B&S 195437-0151 (1)	8.0	20"	4 Spd.- Reverse
1649/56/68	TB	435849-518348	N	B&S 195432-0149	8.0	20"	4 Spd.- Reverse
1650/57/67	TB	435849-518348	N	Koh K161T-281293	7.0	20"	4 Spd.- Reverse
1651/52/58/59/65/66	TB	435849-518348	N	Tec HH60-105126J	6.0	20"	4 Spd.- Reverse
1653/54/60/61/63/64	TB	435849-518348	N	Tec HH60-105127J	6.0	20"	4 Spd.- Reverse
1981							
PONY Jr.							
50000	TB	M1001-M1273	L	Tec H35-45593R	3.5	14.5"	Reverse Disc
PONY I							
20458/60/63	TB	P68034-P88131	L	B&S 130297-0782 (1)	5.0	14.5"	
20459/61/62	TB	P68034-P88131	L	B&S 130292-0793	5.0	14.5"	
SUPER PONY							
20558	TB	P80157-P80408	L	B&S 130292-0793	5.0	16"	
20559	TB	P80157-P80408	L	B&S 130297-0782 (1)	5.0	16"	
PONY II							
20570/73	TB	P88132-P89465	L	B&S 130292-0793	5.0	16"	
20571/74	TB	P88132-P89465	L	B&S 130297-0782 (1)	5.0	16"	
HORSE II							
1648/55/69	TB	518349-590135	N	B&S 195437-0151 (1)	8.0	20"	4 Spd.- Reverse
1649/56	TB	518349-590135	N	B&S 195432-0149	8.0	20"	4 Spd.- Reverse.
1650/57/67	TB	518349-590135	N	Koh K161T-281293	7.0	20"	4 Spd.- Reverse

* B - Bolens

** See Section 3-1 for illustrations

TB - Troy-Bilt

More Footnotes: See Section 3-3

NA - Not Applicable

ROTARY TILLER MODELS AND SPECIFICATIONS (cont'd)

SKU/MODEL	*	Serial Number	**	Engine Model & Type	HP	Till Width	Remarks
1981(cont'd)							
HORSE II							
1651/52/58/59/65/66	TB	518349-590135	N	Tec HH60-105126J (1)	6.0	20"	4 Spd.- Reverse
1653/54/60/61/63/64	TB	518349-590135	N	Tec HH60-105127J	6.0	20"	4 Spd.- Reverse
1982							
JUNIOR I							
50126/50127	TB	M1274-M8203	K	Tec H35-45593R	3.5	14.5	Reverse Disc
JUNIOR II							
501272/50173	TB	M8204-M17011	K	Tec H35-45593R	3.5	14.5"	Reverse
50204	TB	M8204-17011	K	Tec H35-456065 (1)	3.5	14.5"	Reverse
PONY II							
20570/73	TB	P89466-P95831	L	B&S 130292-0793	5.0	16"	
20571/74	TB	P89466-P95831	L	B&S 130297-0782 (1)	5.0	16"	
PONY III							
20594/20595	TB	S101751-S117138	L	B&S 130292-0900	5.0	16"	
20596/20597	TB	S101751-S117138	L	B&S 130297-0901 (1)	5.0	16"	
HORSE II							
1648/55/69	TB	590136-639999	N	B&S 195437-0150 (1)	8.0	20"	4 Spd. - Reverse
1649/56/68	TB	590136-639999	N	B&S 195432-0149	8.0	20"	4 Spd. - Reverse
1650/57/67	TB	590136-639999	N	Koh K161T-281293	7.0	20"	4 Spd. - Reverse
1651/52/58/59/65/66	TB	590136-639999	N	Tec HH60-105126J (1)	6.0	20"	4 Spd. - Reverse
1653/54/60/61/63/64	TB	590136-639999	N	Tec HH60-105127J	6.0	20"	4 Spd. - Reverse
HORSE III							
2215/16/17/18	TB	640000-650219	N	Tec HH60-10527J	6.0	20"	4 Spd. - Reverse
2219/20/21/22	TB	640000-650219	N	Tec HH60-105126J (1)	6.0	20"	4 Spd. - Reverse
2223/24	TB	640000-650219	N	Koh M8T-PS301512	7.0	20"	4 Spd. - Reverse
2225/26	TB	640000-650219	N	B&S 195432-0149	8.0	20"	4 Spd. - Reverse
2227/28	TB	640000-650219	N	B&S 195437-0150 (1)	8.0	20"	4 Spd. - Reverse
6000/01/10/11	TB	640000-650219	N	Tec HH60-105127J	6.0	20"	4 Spd. - Reverse
6100/6101/10/11	TB	640000-650219	N	Tec HH60-105126J (1)	6.0	20"	4 Spd. - Reverse
7010/11	TB	640000-650219	N	Koh K161T-281293	7.0	20"	4 Spd. - Reverse
7100/01/10/11	TB	640000-650219	N	Tec HMXL70-132503	7.0	20"	4 Spd. - Reverse
7200/01/10/11	TB	640000-650219	N	Tec HMXL70-132504 (1)	7.0	20"	4 Spd. - Reverse
8010/11	TB	640000-650219	N	B&S 195432-0149	8.0	20"	4 Spd. - Reverse
8110/11	TB	640000-650219	N	B&S 195437-0150 (1)	8.0	20"	4 Spd. - Reverse
8710/11	TB	640000-650219	N	Koh M8T-PS301513	8.0	20"	4 Spd. - Reverse
8810/11	TB	640000-650219	N	Koh M8T-PS301513 (1)	8.0	20"	4 Spd. - Reverse
1983							
2152	B	0100101/UP	C	B&S 130202-0135	5.0	12-26"	FT Chain Driven
2162	B	0100101/UP	F	B&S 130292-0803-01	5.0	20"	RT Wheel Driven
CULTIVATOR PLUS							
4982	TB	C001001/UP	I	Tec H30-35346R	3.0	7-12"	
5017	TB	C001001/UP	I	Tec H30-35346R	3.0	7-12"	Roto-ette
60000	TB	C001001/UP	I	Tec H30-35346R	3.0	7-12"	Presision
60110/60111	TB	C001001/UP	I	Tec H30-35346R	3.0	7-12"	
60250	TB	C001001/UP	I	Tec H30-35346R	3.0	7-12"	Modified
JUNIOR II							
50172/73	TB	M17012/UP	K	Tec H35-45593R	3.5	14.5"	Reverse
50204	TB	M17012/UP	K	Tec H35-45606S (1)	3.5	14.5"	Reverse
PONY III							
20594/95	TB	S117319-S15911	L	B&S 130292-1900	5.0	16"	
20596/97	TB	S117319-S15911	L	B&S 130297-1901	5.0	16"	

B - Bolens
TB - Troy-Bilt

** See page Section 3-1 for illustrations
More Footnotes: See Section 3-3

ROTARY TILLER MODELS AND SPECIFICATIONS (cont'd)

SKU/MODEL	*	Serial Number	**	Engine Model & Type	HP	Till Width	Remarks
1983							
HORSE III							
2215/16/17/18	TB	650220-762558	N	Tec HH60-105127J	6.0	20"	4 Spd.-Rev.
2219/20/21/22	TB	650220-762558	N	Tec HH60-105126J (1)	6.0	20"	4 Spd.-Rev.
2223/24	TB	650220-762558	N	Koh M8T-PS301512	7.0	20"	4 Spd.-Rev.
2225/26	TB	650220-762558	N	B&S 195432-0149	8.0	20"	4 Spd.-Rev.
2227/28	TB	650220-762558	N	B&S 195437-0150 (1)	8.0	20"	4 Spd.-Rev.
2308	TB	670959-672560	N	B&S 195432-0149	8.0	20"	4 Spd.-Rev.- U-Haul
6000/01/10/11	TB	650220-762558	N	Tec HH60-105127J	6.0	20"	4 Spd.-Rev.
6100/10/1101	TB	650220-762558	N	Tec HH60-105126J (1)	6.0	20"	4 Spd.-Rev.
7010/11	TB	650220-762558	N	Koh K161T-281293	7.0	20"	4 Spd.-Rev.
7100/01/10/11	TB	650220-762558	N	Tec HMXL70-132503	7.0	20"	4 Spd.-Rev.
7200/01/10/11	TB	650220-762558	N	Tec HMXL70-132504 (1)	7.0	20"	4 Spd.-Rev.
8010/11	TB	650220-762558	N	B&S 195432-0149	8.0	20"	4 Spd.-Rev.
8110/11	TB	650220-762558	N	B&S 195437-0150 (1)	8.0	20"	4 Spd.-Rev.
8710/11	TB	650220-762558	N	Koh M8T-PS301512	8.0	20"	4 Spd.-Rev.
8810/11	TB	650220-762558	N	Koh M8T-PS301513 (1)	8.0	20"	4 Spd.-Rev.
10056	TB	705706-711166	N	Wis. Robin	8.0	20"	4 Spd.-Rev.- U-Haul
1984							
2152	B	0100101/UP	C	B&S 130202-0135	5.0	12-26"	FT Chain Driven
2162	B	0100101/UP	F	B&S 130292-0803-01	5.0	22"	RT Wheel Driven
CULTIVATOR PLUS							
4982	TB	C001001/UP	I	Tec H30-35346R	3.0	7-12"	
5017	TB	C001001/UP	I	Tec H30-35346R	3.0	7-12"	Rotò-ette
60000	TB	C001001/UP	I	Tec H30-35346R	3.0	7-12"	Precision
60110/60111	TB	C001001/UP	I	Tec H30-35346R	3.0	7-12"	
60250	TB	C001001/UP	I	Tec H30-35346R	3.0	7-12"	Modified
JUNIOR II							
50172/73	TB	M17012/UP	K	Tec H35-45593R	3.5	14.5"	Reverse
50204	TB	M17012/UP	K	Tec H35-45606S (1)	3.5	14.5"	Reverse
PONY III							
20594/95	TB	S117319-S15911	L	B&S 130292-1900	5.0	16"	
20596/97	TB	S117319-S15911	L	B&S 130297-1901 (1)	5.0	16"	
HORSE III							
2215/16/17/18	TB	650220-762558	N	Tec HH60-105127J	6.0	20"	4 Spd.-Rev.
2219/20/21/22	TB	650220-762558	N	Tec HH60-105126J (1)	6.0	20"	4 Spd.-Rev.
2223/24	TB	650220-762558	N	Koh M8T-PS301512	7.0	20"	4 Spd.-Rev.
2225/26	TB	650220-762558	N	B&S 195432-0149	8.0	20"	4 Spd.-Rev.
2227/28	TB	650220-762558	N	B&S 195437-1050 (1)	8.0	20"	4 Spd.-Rev.
2308	TB	670959-672560	N	B&S 195432-0149	8.0	20"	4 Spd.-Rev.- U-Haul
6000/01/10/11	TB	650220-762558	N	Tec HH60-105127J	6.0	20"	4 Spd.-Rev.
6100/10/1101	TB	650220-762558	N	Tec HH60-105126J (1)	6.0	20"	4 Spd.-Rev.
7010/11	TB	650220-762558	N	Koh K161T-281293	7.0	20"	4 Spd.-Rev.
7100/01/10/11	TB	650220-762558	N	Tec HMXL70-132503	7.0	20"	4 Spd.-Rev.
7200/01/10/11	TB	650220-762558	N	Tec HMXL70-132504 (1)	7.0	20"	4 Spd.-Rev.
8010/11	TB	650220-762558	N	B&S 195432-0149	8.0	20"	4 Spd.-Rev.
8110/11	TB	650220-762558	N	B&S 195437-0150 (1)	8.0	20"	4 Spd.-Rev.
8710/11	TB	650220-762558	N	Koh M8T-PS301512	8.0	20"	4 Spd.-Rev.
8810/11	TB	650220-762558	N	Koh M8T-PS301512 (1)	8.0	20"	4 Spd.-Rev.
10056	TB	705706-711166	N	Wis. Robin	8.0	20"	4 Spd.-Rev.- U-Haul
1985							
2142	B	0100101/UP	C	B&S 80202-1827-01	3.0	7-22"	FT Chain Driven
2152	B	0100101/UP	C	B&S 130202-0135	5.0	12-26"	FT Chain Driven

* B - Bolens

** See Section 3-1 for illustrations

TB - Troy-Bitt

More Footnotes: See Section 3-3

ROTARY TILLER MODELS AND SPECIFICATIONS (cont'd)

SKU/MODEL	*	Serial Number	**	Engine Model & Type	HP	Till Width	Remarks
1985 (cont'd)							
2162	B	0100101/UP	F	B&S 130292-0803-01	5.0	22"	RT Wheel Driven
2164	B	0100101/UP	F	B&S 130292-1862-01	5.0	22"	RT Wheel Driven
CULTIVATOR PLUS							
4982	TB	C001001/UP	I	Tec H30-35346R (1)	3.0	7-12"	
5017	TB	C001001/UP	I	Tec H30-35346R	3.0	7-12"	Roto-ette
60000	TB	C001001/UP	I	Tec H30-35346R	3.0	7-12"	Precision
60110/11	TB	C001001/UP	I	Tec H30-35346R (1)	3.0	7-12"	
60250	TB	C001001/UP	I	Tec H30-35346R	3.0	7-12"	Modified
JUNIOR II							
50172/73	TB	TO/M44764	K	Tec H35-45593R (1)	3.5	14.5"	Reverse
50204	TB	TO/M44764	K	Tec H35-45606S (1)	3.5	14.5"	Reverse
PONY III							
20594/95	TB	S15912-S164132	L	B&S 130292-1900	5.0	16"	
20596/97	TB	S15912-S164132	L	B&S 130297-1901 (1)	5.0	16"	
PONY IV							
5010/11	TB	S164133-179374	L	B&S 130292-1900	5.0	16"	
5110/11	TB	S164133-179374	L	B&S 130297-1901 (1)	5.0	16"	
HORSE III							
2215/16/17/18	TB	762559-806594	N	Tec HH60-105127J	6.0	20"	4 Spd. - Rev.
2219/20/21/22	TB	762559-806594	N	Tec HH60-105126J (1)	6.0	20"	4 Spd. - Rev.
2223/24	TB	762559-806594	N	Koh M8T-PS301512	7.0	20"	4 Spd. - Rev.
2225/26	TB	762559-806594	N	B&S 195432-0149	8.0	20"	4 Spd. - Rev.
2227/28	TB	762559-806594	N	B&S 195437-0150 (1)	8.0	20"	4 Spd. - Rev.
6000/01/10/11	TB	762559-806594	N	Tec HH60-105127J	6.0	20"	4 Spd. - Rev.
6100/10/1101	TB	762559-806594	N	Tec HH60-105126J (1)	6.0	20"	4 Spd. - Rev.
7010/11	TB	762559-806594	N	Koh K161T-281293	7.0	20"	4 Spd. - Rev.
7100/01/10/11	TB	762559-806594	N	Tec HMXL70-132503	7.0	20"	4 Spd. - Rev.
7200/01/10/11	TB	762559-806594	N	Tec HMXL70-132504 (1)	7.0	20"	4 Spd. - Rev.
8010/11	TB	762559-806594	N	B&S 195432-0149	8.0	20"	4 Spd. - Rev.
8110/11	TB	762559-806594	N	B&S 195432-0150 (1)	8.0	20"	4 Spd. - Rev.
8710/11	TB	762559-806594	N	Koh M8T-PS301513	8.0	20"	4 Spd. - Rev.
8810/11	TB	762559-806594	N	Koh M8T-PS301513 (1)	8.0	20"	4 Spd. - Rev.
1986							
2142	B	0100101/UP	C	B&S 80202-1827-01	3.0	7-22"	FT Chain Driven
2152	B	0100101/UP	C	B&S 130202-0135	5.0	12-26"	FT Chain Driven
2164	B	0100101/UP	F	B&S 130292-1862-01	5.0	22"	RT Wheel Driven
CULTIVATOR PLUS							
4982	TB	C001001/UP	I	Tec H30-35346R	3.0	7-12"	
5017	TB	C001001/UP	I	Tec H30-35346R	3.0	7-12"	Roto-ette
60000	TB	C001001/UP	I	Tec H30-35346R	3.0	7-12"	Precision
60110/11	TB	C001001/UP	I	Tec H30-35346R	3.0	7-12"	
60250	TB	C001001/UP	I	Tec H30-35346R	3.0	7-12"	Modified
JUNIOR II							
50172/73	TB	M00447650-M0067998	K	Tec H35-45593R	3.5	14.5"	Reverse
50204	TB	M00447650-M0067998	K	Tec H35-45606S (1)	3.5	14.5"	Reverse
JUNIOR III							
5210/11	TB	M67998-M68941	K	Tec H35-45593R	3.5	14.5"	Reverse
5310/11	TB	M67998-M68941	K	Tec H35-45606S(1)	3.5	14.5"	Reverse
PONY IV							
5010/11	TB	5179375-5186071	L	B&S 130292-1900	5.0	16"	
5110/11	TB	5179375-5186071	L	B&S 130297-1901 (1)	5.0	16"	

B - Bolens
TB - Troy-Bilt

** See Section 3-1 for illustrations

More Footnotes: See Section 3-3

ROTARY TILLER MODELS AND SPECIFICATIONS (cont'd)

SKU/MODEL	*	Serial Number	**	Engine Model & Type	HP	Till Width	Remarks
1986(cont'd)							
PONY V							
5040/41	TB	50186073-5194233	L	B&S 130292-1900	5.0	16"	
5150/51	TB	50203126-5194233	L	B&S 130277-1901 (1)	5.0	16"	
ECONO HORSE							
6210/11	TB	E0001001-E0002275	M	Tec H60-75500N	6.0	18"	
6310/11	TB	E0001001-E0002275	M	Tec H60-75501N (1)	6.0	18"	
HORSE III							
2215/16/17/18	TB	806595-841755	N	Tec HH60-105127J	6.0	20"	4 Spd.-Rev.
2219/20/21/22	TB	806595-841755	N	Tec HH60-105126J (1)	6.0	20"	4 Spd.-Rev.
2223/24	TB	806595-841755	N	Koh M8T-PS301512	7.0	20"	4 Spd.-Rev.
2225/26	TB	806595-841755	N	B&S 195432-0149	8.0	20"	4 Spd.-Rev.
2227/28	TB	806595-841755	N	B&S 195437-0150 (1)	8.0	20"	4 Spd.-Rev.
6000/01/10/11	TB	806595-841755	N	Tec HH60-105127J	6.0	20"	4 Spd.-Rev.
6100/01/10/11	TB	806595-841755	N	Tec HH60-105126J (1)	6.0	20"	4 Spd.-Rev.
7010/11	TB	806595-841755	N	Koh K161T-281293	7.0	20"	4 Spd.-Rev.
7100/01/10/11	TB	806595-841755	N	Tec HMXL70-132503	7.0	20"	4 Spd.-Rev.
1987							
SPEEDY HOE							
11078	TB	HH0010000-HH023799	H	Tec TC200-2026C (2)	1.5	6-9"	Hoffco
CULTIVATOR PLUS							
4982	TB	To/C017818	I	Tec H30-35346R	3.0	7-12"	
5017	TB	To/C017818	I	Tec H30-35346R	3.0	7-12"	Roto-ette
5027	TB	To/C017818	I	Tec H30-35346R	3.0	7-12"	(4)
60000	TB	To/C017818	I	Tec H30-35346R	3.0	7-12"	Precision
60110/11	TB	To/C017818	I	Tec H30-35346R	3.0	7-12"	
60250	TB	To/C017818	I	Tec H30-35346R	3.0	7-12"	Modified
JUNIOR III							
5210/11	TB	M68942-M75089	K	Tec H35-45593R	3.5	14.5"	Reverse
5310/11	TB	M68942-M75089	K	Tec H35-45606S (1)	3.5	14.5"	Reverse
O.P.C. JR.							
5610/11	TB	M0074690-M77754	K	Tec HS40-55580K	4.0	14"	(4)
5710/11	TB	M0074690-M77754	K	Tec HS40-55580K (1)	4.0	14"	(4)
15006	TB	M0074690-M77754	K	Tec HS40-55580K (1)	4.0	14"	(4)
15006S	TB	M0074690-M77754	K	Tec HS40-55580K	4.0	14"	(4) Sears
15021S	TB	M0074690-M77754	K	Tec HS40-55580K	4.0	14"	(4) Sears
SUPER PONY							
20558	TB	P80157-P80408	L	B&S 130292-0793	5.0	16"	
20559	TB	P80157-P80408	L	B&S 130297-0782 (1)	5.0	16"	
PONY V							
5040/41	TB	S197234-S0203125	L	B&S 130292-1900	5.0	16"	
5150/51	TB	S194234-S0203125	L	B&S 130297-1901 (1)	5.0	16"	
O.P.C. PONY							
5410/11	TB	S0203126-S209896	L	B&S 130292-3016	5.0	16"	(4)
5510/11	TB	S0203126-S209896	L	B&S 130297-3015(1)	5.0	16"	(4)
15008	TB	S0203126-S209896	L	B&S 130292-3016	5.0	16"	(4)
15008S	TB	S0203126-S209896	L	B&S 130292-3016	5.0	16"	(4) Sears
15020S	TB	S0203126-S209896	L	B&S 130292-3016	5.0	16"	(4) Sears
ECONO HORSE							
6210/11	TB	E0002276-E0008843	M	Tec H60-75500N	6.0	18"	
6310/11	TB	E0002276-E0008843	M	Tec H60-75501N (1)	6.0	18"	

* B - Bolens

TB - Troy-Bilt

** See Section 3-1 for illustrations

More Footnotes: See Section 3-3

ROTARY TILLER MODELS AND SPECIFICATIONS (cont'd)

SKU/MODEL	*	Serial Number	**	Engine Model & Type	HP	Till Width	Remarks
1987 (cont'd)							
O.P.C.							
ECONO HORSE							
6410/11	TB	E0008844-E0013803	M	Tec H60-75505P	6.0	18"	(4)
6510/11	TB	E0008844-E0013803	M	Tec H60-75505P (1)	6.0	18"	(4)
15010/11	TB	E0008844-E0013803	M	Tec H60-75505P	6.0	18"	(4)
HORSE III							
2215/16/17/18	TB	841756-856106	N	Tec HH60-105127J	6.0	20"	4 Spd.-Rev.
2219/20/21/22	TB	841756-856106	N	Tec HH60-105126J (1)	6.0	20"	4 Spd.-Rev.
2223/24	TB	841756-856106	N	Koh M8T-PS301512	7.0	20"	4 Spd.-Rev.
2225/26	TB	841756-856106	N	B&S 195432-0149	8.0	20"	4 Spd.-Rev.
2227/28	TB	841756-856106	N	B&S 195437-0150 (1)	8.0	20"	4 Spd.-Rev.
6000/01/10/11	TB	841756-856106	N	Tec HH60-105127J	6.0	20"	4 Spd.-Rev.
6100/01/10/11	TB	841756-856106	N	Tec HH60-105126J (1)	6.0	20"	4 Spd.-Rev.
7010/11	TB	841756-856106	N	Koh M8T-PS301512	7.0	20"	4 Spd.-Rev.
7100/01/10/11	TB	841756-856106	N	Tec HMXL70-132503	7.0	20"	4 Spd.-Rev.
O.P.C. PTO HORSE							
7300/01/10/11	TB	856107-866038	N	Tec HMXL70-132503B	7.0	20"	(4) Rev.
7400/01/10/11	TB	856107-866038	N	Tec HMXL70132504B (1)	7.0	20"	(4) Rev.
7500/01/10/11	TB	856107-866038	N	B&S 171432-0534 (3)	7.0	20"	(4) Rev.
7600/01/10/11	TB	856107-866038	N	B&S 171437-0535 (1)(3)	7.0	20"	(4) Rev.
8210/11	TB	856107-866038	N	Koh M8T-PS301608	8.0	20"	(4) Rev.
8310/11	TB	856107-866038	N	Koh M8ST-PS301609 (1)	8.0	20"	(4) Rev.
8311S	TB	856107-866038	N	Koh M8ST-PS301609 (1)	8.0	20"	(4) Rev. - Sears
15019S	TB	856107-866038	N	Koh M8ST-PS301609 (1)	8.0	20"	(4) Rev. - Sears
1988							
PT418	B	0100101/UP	D	B&S 130202-3010-01	4.0	20-26"	FT Chain Drive
SPEEDY HOE							
11078	TB	HH0010000-HH026799	H	Tec TC200-2026C (2)	1.5	6-9"	Hoffco
11381	TB	50000/UP	H	Tec TC200-2026C (2)	1.5	6-9"	Parmi
TUFFY							
5225	TB	X000100-X0012159	J	Tec H30-353875	3.0	14"	1 Spd. - No Rev.
O.P.C. JR.							
5610/11	TB	M77755-M88508	K	Tec HS40-55580K	4.0	14"	(4)
5710/11	TB	M77755-M88508	K	Tec HS40-55581K (1)	4.0	14"	(4)
15006	TB	M77755-M88508	K	Tec HS40-55580K (1)	4.0	14"	(4)
15006S	TB	M77755-M88508	K	Tec HS40-55580K	4.0	14"	(4) Sears
15021S	TB	M77755-M88508	K	Tec HS40-55580K	4.0	14"	(4) Sears
O.P.C. PONY							
5410/11	TB	S209897-S229591	L	B&S 130292-3016	5.0	16"	(4)
5510/11	TB	S209897-S229591	L	B&S 130297-3015(1)	5.0	16"	(4)
15008	TB	S209897-S229591	L	B&S 130292-3016	5.0	16"	(4)
15008S	TB	S209897-S229591	L	B&S 130292-3016	5.0	16"	(4) Stars
15020S	TB	S209897-S229591	L	B&S 130292-3015	5.0	16"	(4) Stars
O.P.C.							
ECONO HORSE							
6410/11	TB	E0013804-E0025126	M	Tec H60-75505P	6.0	18"	(4)
6510/11	TB	E0013804-E0025126	M	Tec H60-75506P (1)	6.0	18"	(4)
15010/11	TB	E0013804-E0025126	M	Tec H60-75505P	6.0	18"	(4)
O.P.C. PTO HORSE							
7300/01/10/11	TB	866039-895068	N	Tec HMXL70-132503B	7.0	20"	(4) Rev.
7400/01/10/11	TB	866039-895068	N	Tec HMXL70-132504B (1)	7.0	20"	(4) Rev.

B - Bolens
TB - Troy-Bilt

** See Section 3-1 for illustrations

More Footnotes: See Section 3-3

ROTARY TILLER MODELS AND SPECIFICATIONS (cont'd)

SKU/MODEL	*	Serial Number	**	Engine Model & Type	HP	Till Width	Remarks
1988 (cont'd)							
<u>O.P.C. PTO HORSE</u>							
7500/01/10/11	TB	866039-895068	N	B&S 171432-0534 (3)	7.0	20"	(4) Rev.
7600/01/10/11	TB	866039-895068	N	B&S 171437-0535 (1)(3)	7.0	20"	(4) Rev.
7610/11	TB	866039-895068	N	B&S 171432-0534 (3)	7.0	20"	(4) Rev.
8210/11	TB	866039-895068	N	Koh M8T-PS301608	8.0	20"	(4) Rev.
8310/11	TB	866039-895068	O	Koh M8ST-PS301609 (1)	8.0	20"	(4) Rev.
8311S	TB	866039-895068	O	Koh M8ST-PS301609 (1)	8.0	20"	(4) Rev. - Sears
15019S	TB	866039-895068	O	Koh M8ST-PS301609 (1)	8.0	20"	(4) Rev. - Sears
1989							
PT418	B	0100101/UP	D	B&S 130202-3010-01	4.0	20-26"	FT Chain Drive
<u>SPEEDY HOE</u>							
11381	TB	50000/UP	H	Tec TC200-2026C (2)	1.5	6-9"	Parmi
<u>TUFFY</u>							
5225	TB	X0001000-X0012159	J	Tec H30-353875	3.0	14"	1 Spd. - No Rev.
<u>O.P.C. JR.</u>							
5610/11	TB	M88508-M115948	K	Tec HS40-55580K	4.0	14"	(4)
5710/11	TB	M88508-M115948	K	Tec HS40-55581K (1)	4.0	14"	(4)
15006	TB	M0100970-M0108416	K	Tec HS4055580K (1)	4.0	14"	(4)
15006S	TB	M0100970-M0108416	K	Tec HS40-55580K	4.0	14"	(4) Sears
15021S	TB	M0100970-M0108416	K	Tec HS40-55580K	4.0	14"	(4) Sears
<u>O.P.C. PONY</u>							
5410/11	TB	S229592-S271249	L	B&S 130292-3016	5.0	16"	(4)
5510/11	TB	S229592-S271249	L	B&S 130297-3015 (1)	5.0	16"	(4)
15008	TB	S229592-S271249	L	B&S 130292-3016	5.0	16"	(4)
15008S	TB	S229592-S271249	L	B&S 130292-3016	5.0	16"	(4) Sears
15020S	TB	S229592-S271249	L	B&S 130292-3016	5.0	16"	(4) Sears
<u>O.P.C.</u>							
<u>ECONO HORSE</u>							
6410/11	TB	E0025217-E0043764	M	Tec H60-75505P	6.0	18"	(4)
6510/11	TB	E0025217-E0043764	M	Tec H60-75506P (1)	6.0	18"	(4)
15010	TB	E0025217-E0043764	M	Tec H60-75505P	6.0	18"	(4)
15011	TB	E0025217-E0043764	M	Tec H60-75506P (1)	6.0	18"	(4)
<u>O.P.C. PTO HORSE</u>							
7300/01/10/11	TB	0895069-00919666	N	Tec HMXL70-732503B	7.0	20"	(4) Rev.
7400/01/10/11	TB	0895069-00919666	N	Tec HMXL70-132504B(1)	7.0	20"	(4) Rev.
7500/01/10/11	TB	0895069-00919666	N	B&S 171432-0534 (3)	7.0	20"	(4) Rev.
7600/01	TB	0895069-00919666	N	B&S 171437-0535 (1)(3)	7.0	20"	(4) Rev.
7610/11	TB	0895069-00919666	N	B&S 171432-0534 (3)	7.0	20"	(4) Rev.
8210/11	TB	0895069-00919666	N	Koh M8T-PS301608	8.0	20"	(4) Rev.
8310/11	TB	0895069-00919666	O	Koh M8ST-PS301609 (1)	8.0	20"	(4) Rev.
8311S	TB	0895069-00919666	O	Koh M8ST-PS301609 (1)	8.0	20"	(4) Rev. - Sears
15019S	TB	0895069-00919666	O	Koh M8ST-PS301609 (1)	8.0	20"	(4) Rev. - Sears
1990							
FT500	B	0100101/UP	D	B&S 130202-3010-01	5.0	20-26"	FT Chain Drive
<u>SPEEDY HOE</u>							
11381	TB	50000/UP	H	Tec TC200-2026C (2)	1.5	6-9"	Parmi
<u>TUFFY</u>							
5225	TB	X0001000-X0012159	J	Tec H30-353875	3.0	14"	1 Spd. - No Rev.
<u>O.P.C. JR.</u>							
5610/11	TB	M88508-M115948	K	Tec HS40-55580K	4.0	14"	(4)
5710/11	TB	M88508-M115948	K	Tec HS40-55581K (1)	4.0	14"	(4)

* B - Bolens

TB - Troy-Bilt

** See Section 3-1 for illustrations

More Footnotes: See Section 3-3

ROTARY TILLER MODELS AND SPECIFICATIONS (cont'd)

SKU/MODEL	*	Serial Number	**	Engine Model & Type	HP	Till Width	Remarks
1990 (cont'd)							
<u>O.P.C. JR.</u>							
15006	TB	M0100970-M0108416	K	Tec HS4055580K (1)	4.0	14"	(4)
15006S	TB	M0100970-M0108416	K	Tec HS40-55580K	4.0	14"	(4) Sears
15021S	TB	M0100970-M0108416	K	Tec HS40-55580K	4.0	14"	(4) Sears
<u>O.P.C. PONY</u>							
5410/11	TB	5229592-5271249	L	B&S 130292-3016	5.0	16"	(4)
5510/11	TB	5229592-5271249	L	B&S 130297-3015 (1)	5.0	16"	(4)
15008	TB	5229592-5271249	L	B&S 130292-3016	5.0	16"	(4)
15008S	TB	5229592-5271249	L	B&S 130292-3016	5.0	16"	(4) Sears
15020S	TB	5229592-5271249	L	B&S 130292-3016	5.0	16"	(4) Sears
<u>O.P.C. ECONO HORSE</u>							
6410/11	TB	E0025217-E0043764	M	Tec H60-75505P	6.0	18"	(4)
6510/11	TB	E0025217-E0043764	M	Tec H60-75506P (1)	6.0	18"	(4)
15010	TB	E0025217-E0043764	M	Tec H60-75505P	6.0	18"	(4)
15011	TB	E0025217-E0043764	M	Tec H60-75506P (1)	6.0	18"	(4)
<u>O.P.C. PTO HORSE</u>							
7300/01/10/11	TB	0895069-00919666	N	Tec HMXL70-132503B	7.0	20"	(4) Rev.
7400/01/10/11	TB	0895069-00919666	N	Tec HMXL70-132504B (1)	7.0	20"	(4) Rev.
7500/01/10/11	TB	0895069-00919666	N	B&S 171432-0534 (3)	7.0	20"	(4) Rev.
7600/01	TB	0895069-00919666	N	B&S 171437-0535 (1)(3)	7.0	20"	(4) Rev.
7610/11	TB	0895069-00919666	N	B&S 171432-0534 (3)	7.0	20"	(4) Rev.
8210/11	TB	0895069-00919666	N	Koh M8T-PS301608	8.0	20"	(4) Rev.
8310/11	TB	0895069-00919666	O	Koh M8ST-PS301609 (1)	8.0	20"	(4) Rev.
8311S	TB	0895069-00919666	O	Koh M8ST-PS301609 (1)	8.0	20"	(4) Rev. -Sears
15019S	TB	0895069-00919666	O	Koh M8ST-PS301609 (1)	8.0	20"	(4) Rev. - Sears
1991							
FT500	B	0100101/UP	D	B&S 130202-3010-01	5.0	20-26"	FT Chain Drive
<u>SPEEDY HOE</u>							
11381	TB	50000/UP	H	Tec TC200-2026C (2)	1.5	6-9"	Parmi
<u>TUFFY</u>							
5225	TB	X012160/UP	J	Tec H30-353875	3.0	14"	1 Spd.-No Rev.
5225S	TB	X012160/UP	J	Tec H30-353875	3.0	14"	1 Spd.-No Rev.-Sears
<u>O.P.C. JR.</u>							
15006	TB	M0108417/UP	K	Tec HS40-55580K	4.0	14"	(4)
15006S	TB	M0108417/UP	K	Tec HS40-55580K	4.0	14"	(4) Sears
15021S	TB	M0108417/UP	K	Tec HS40-55580K	4.0	14"	(4) Sears
<u>O.P.C. PONY</u>							
15008	TB	5271250/UP	L	B&S 130292-3016	5.0	16"	(4)
15008S	TB	5271250/UP	L	B&S 130292-3016	5.0	16"	(4) Sears
15020S	TB	5271250/UP	L	B&S 130292-3016	5.0	16"	(4) Sears
<u>O.P.C. ECONO HORSE</u>							
15010	TB	E0043765/UP	M	Tec H60-75505P	6.0	18"	(4)
15011	TB	E0043765/UP	M	Tec H60-75506P (1)	6.0	18"	(4)
<u>O.P.C. PTO HORSE</u>							
0360	TB	D0000001/UP	N	Koh M8ST-PS301609 (1)	8.0	20"	(4) Silver Anniversary
7511	TB	00942767/UP	N	B&S 171432-0534 (3)	7.0	20"	(4) Rev.
7611	TB	00942767/UP	N	B&S 171432-0534 (3)	7.0	20"	(4) Rev.
8211	TB	00942767/UP	N	Koh M8T-PS301608	8.0	20"	(4) Rev.

B - Bolens

TB - Troy-Bilt

** See Section 3-1 for illustrations

More Footnotes: See Section 3-3

ROTARY TILLER MODELS AND SPECIFICATIONS (cont'd)

SKU/MODEL	*	Serial Number	**	Engine Model & Type	HP	Till Width	Remarks
1991 (cont'd)							
O.P.C. PTO HORSE							
8311	TB	00942767/UP	O	Koh M8ST-PS301609 (1)	8.0	20"	(4) Rev.
8311S	TB	00942767/UP	O	Koh M8ST-PS301609 (1)	8.0	20"	(4) Rev. - Sears
15019S	TB	00942767/UP	O	Koh M8ST-PS301609 (1)	8.0	20"	(4) Rev. - Sears
1992							
FT500							
SPEEDY HOE							
11381	TB	50000/UP	H	Tec TC200-2026C (2)	1.5	6-9"	Parmi Mfr.
MINI TILLER							
12001	TB	1200101001/UP	H	Tec TC200-2106 (2)	1.5	6-9"	Troy-Bilt Mfr.
TUFFY							
5225	TB	X012160/UP	J	Tec H30-35387S	3.0	14"	1 Spd.-No Rev.
5225S	TB	X012160/UP	J	Tec H30-35387S	3.0	14"	1 Spd.-No Rev.-Sears
O.P.C. JR.							
15006	TB	M115949/UP	K	Tec HS40-55580K	4.0	14"	(4)
15006S	TB	M115949/UP	K	Tec HS40-55580K	4.0	14"	(4) Sears
15021S	TB	M115949/UP	K	Tec HS40-55580K	4.0	14"	(4) Sears
O.P.C. PONY							
15008	TB	5271250/UP	L	B&S 130292-3016	5.0	16"	(4)
15009	TB	5271250/UP	L	B&S 130297-3016 (1)	5.0	16"	(4)
15008S	TB	5271250/UP	L	B&S 130292-3016	5.0	16"	(4) Sears
15020S	TB	5271250/UP	L	B&S 130292-3016	5.0	16"	(4) Sears
O.P.C. ECONO HORSE							
15010	TB	E0043765/UP		Tec H60-75505P	6.0	18"	(4)
15011	TB	E0043765/UP		Tec H60-75506P (1)	6.0	18"	(4)
O.P.C. PTO HORSE							
7511	TB	00942767/UP		B&S 171432-0534 (3)	7.0	20"	(4) Rev.
7611	TB	00942767/UP		B&S 171432-0534 (3)	7.0	20"	(4) Rev.
8211	TB	00942767/UP		Koh M8T-PS301608	8.0	20"	(4) Rev.
8311	TB	00942767/UP		Koh M8ST-PS301609 (1)	8.0	20"	(4) Rev.
8311S	TB	00942767/UP		Koh M8ST-PS301609 (1)	8.0	20"	(4) Rev.-Sears
15019S	TB	00942767/UP		Koh M8ST-PS301609 (1)	8.0	20"	(4) Rev.-Sears
1993							
12039	B	120390100101/UP	D	B&S 135212-0172	5.0	20-26"	FT Chain Drive
12040	B	120400100101/UP	D	B&S 135292-0174	5.0	20-26"	FT Chain Drive w/Rev.
MINI TILLER							
12001	TB	120010100101/UP	H	Tec TC200-2106 (2)	1.5	6-9"	Troy-Bilt Mfr.
12054	B	120540100101/UP	H	Tec TC200-2106(2)	1.5	6-9"	
TUFFY							
12060	TB	12060100101/UP	J	Tec H30-35387S	3.0	14"	1 Spd.-No Rev.
12060S	TB	120650100101/UP	J	Tec H30-35387S	3.0	14"	1 Spd.-No Rev.-Sears
12065	B	120650100101/UP	J	Tec H30-35387S	3.0	14"	1 Spd.-No Rev.
O.P.C. JR.							
15006	TB	150060100101/UP	K	Tec HS40-55580K	4.0	14"	(4)
15006S	TB	15006S0100101/UP	K	Tec HS40-55580K	4.0	14"	(4) Sears
15021S	TB	15021S0100101/UP	K	Tec HS40-55580K	4.0	14"	(4) Sears
O.P.C. PONY							
12050	B	120500100101/UP	L	B&S 130292-3016	5.0	16"	(4)
15008/09	TB	150080100101/UP	L	B&S 130292-3016	5.0	16"	(4)
15008S	TB	15008S0100101/UP	L	B&S 130292-3016	5.0	16"	(4) Sears
15009	TB	150090100101/UP	L	B&S 130297-3016 (1)	5.0	16"	(4)
15020S	TB	15020S0100101/UP	L	B&S 130292-3016	5.0	16"	(4) Sears

* B - Bolens

TB - Troy-Bilt

** See Section 3-1 for illustrations

More Footnotes: See Section 3-3

ROTARY TILLER MODELS AND SPECIFICATIONS (cont'd)

SKU/MODEL	*	Serial Number	**	Engine Model & Type	HP	Till Width	Remarks
1993(cont'd)							
O.P.C. ECONO HORSE							
15010	TB	150100100101/UP	M	Tec H60-75505P	6.0	18"	(4)
O.P.C. PTO HORSE							
12051	TB	1205100101/UP	N	B&S 195432-0149	8.0	20"	(4) Rev.
12056	TB	120560100101/UP	N	B&S 171432-0534	7.0	20"	(4) Rev.
12057	TB	120570100101/UP	N	B&S 171432-0534 (1)	7.0	20"	(4) Rev.
12058	TB	120580100101/UP	N	Koh M8T-PS301608	8.0	20"	(4) Rev.
12059	TB	120590100101/UP	O	Koh M8ST-PS301609 (1)	8.0	20"	(4) Rev.
12059S	TB	12059S0100101/UP	O	Koh M8ST-PS301609 (1)	8.0	20"	(4) Rev. - Sears
12067	B	120670100101/UP	N	B&S 19543-0149	8.0	20"	(4) Rev.
15019S	TB	15019S0100101/UP	O	Koh M8ST-PS301609 (1)	8.0	20"	(4) Rev. - Sears
1994							
12039	B	120390100101/UP	D	B&S 135212-0172	5.0	20-26"	FT Chain Drive
12040	B	120400100101/UP	D	B&S 135292-0174	5.0	20-26"	FT Chain Drive w/Rev.
MINI TILLER							
12001	TB	120010100101/UP	H	Tec TC200-2106 (2)	1.5	6.9"	
12054	B	120540100101/UP	H	Tec TC200-2106 (2)	1.5	6.9"	
TUFFY							
12060	TB	120600100101/UP	J	Tec H30-353875	3.0	14"	1 Spd.-No Rev.
12060S	TB	120650100101/UP	J	Tec H30-353875	3.0	14"	1 Spd.-No Rev.-Sears
12065	B	120650100101/UP	J	Tec H30-353875	3.0	14"	1 Spd.-No Rev.
O.P.C. JUNIOR							
15006	TB	150060100101/UP	K	Tec HS40-55580K	4.0	14"	(4)
15006S	TB	15006S0100101/UP	K	Tec HS40-55580K	4.0	14"	(4) Sears
15021S	TB	15021S0100101/UP	K	Tec HS40-55580K	4.0	14"	(4) Sears
O.P.C. PONY							
12050	B	120500100101/UP	L	B&S 1302920100101/UP	5.0	16"	(4)
15008	TB	150080100101/UP	L	B&S 130292-3016	5.0	16"	(4)
15008S	TB	15008S0100101/UP	L	B&S 130292-3016	5.0	16"	(4) Sears
15009	TB	150090100101/UP	L	B&S 130297-3016 (1)	5.0	16"	(4)
15020S	TB	15020S0100101/UP	L	B&S 130292-3016	5.0	16"	(4) Sears
O.P.C. ECONO HORSE							
15010	TB	150100100101/UP	M	Tec H60-75505P	6.0	18"	(4)
O.P.C. PTO HORSE							
12056	TB	120560100101/UP	N	B&S 171432-0534	7.0	20"	(4) Rev.
12068	TB	120680100101/UP	N	B&S 171432-0534	7.0	20"	(4) Rev.
12057	TB	120570100101/UP	N	B&S 171432-0534 (1)	7.0	20"	(4) Rev.
12069	TB	120690100101/UP	N	B&S 171432-0534	7.0	20"	(4) Rev.
12058	TB	12058S0100101/UP	N	Koh M8T-PS301608	8.0	20"	(4) Rev.
12067	B	120670100101/UP	N	B&S 19543-0149	8.0	20"	(4) Rev.
12070	TB	120700100101/UP	N	Koh M8T-PS301608	8.0	20"	(4) Rev.
12059	TB	120590100101/UP	O	Koh M8ST-PS301609 (1)	8.0	20"	(4) Rev.
12071	TB	120390100101/UP	O	Koh M8ST-PS301609 (1)	8.0	20"	(4) Rev.
12059S	TB	120400100101/UP	O	Koh M8ST-PS301609 (1)	8.0	20"	(4) Rev.-Sears
12071S	TB	12071S0100101/UP	O	Koh M8ST-PS301609 (1)	8.0	20"	(4) Rev.-Sears
12074	TB	120740100101/UP	N	B&S 196432-0163	8.0	20"	(4) Rev.-Sears
12075	TB	120750100101/UP	N	B&S 196437-013401	8.0	20"	(4) Rev.-Sears
15019S	TB	15019S0100101/UP	O	Koh M8ST-PS301609 (1)	8.0	20"	(4) Rev.-Sears

* B - Bolens

TB - Troy-Bilt

** See Section 3-1 for illustrations

More Footnotes: See Section 3-3

ROTARY TILLER MODELS AND SPECIFICATIONS (cont'd)

SKU/MODEL	*	Serial Number	**	Engine Model & Type	HP	Till Width	Remarks
1995							
12039	B	120390100101/UP	D	B&S 135212-0172	5.0	20-26"	FT Chain Dive
12040	B	120400100101/UP	D	B&S 135292-0174	5.0	20-26"	FT Chain Drive w/R
MINI TILLER							
12001	TB	120010100101/UP	H	Tec TC200-2106 (2)	1.5	6.9"	
12054	B	120540100101/UP	H	Tec TC200-2106 (2)	1.5	6.9"	
TUFFY							
12060	TB	120600100101/UP	J	Tec H30-353875	3.0	14"	1 Spd.-No Rev.
12060S	TB	120600100101/UP	J	Tec H30-353875	3.0	14"	1 Spd.-No Rev.-Sears
12065	B	120650100101/UP	J	Tec H30-353875	3.0	14"	1 Spd.-No Rev.-Sears
O.P.C. JUNIOR							
15006	TB	150060100101/UP	K	Tec HS40-55580K	4.0	14"	(4)
15006S	TB	15006S0100101/UP	K	Tec HS40-55580K	4.0	14"	(4) Sears
O.P.C. PONY							
12050	B	120500100101/UP	L	B&S 130292-3016	5.0	16"	(4)
15008	TB	150080100101/UP	L	B&S 130292-3016	5.0	16"	(4)
15008S	TB	15008S0100101/UP	L	B&S 130292-3016	5.0	16"	(4) Sears
15009	TB	150090100101/UP	L	B&S 130292-3016 (1)	5.0	16"	(4)
O.P.C. ECONO HORSE							
15010	TB	150100100101/UP	N	Tec H60-75505P	6.0	18"	(4)
O.P.C. PTO HORSE							
12067	B	120670100101/UP	N	B&S 19543-0149	8.0	20"	(4) Rev.
12068	TB	120680100101/UP	N	B&S 171432-0534	7.0	20"	(4) Rev.
12069	TB	120690100101/UP	N	B&S 171432-0534	7.0	20"	(4) Rev.
12070	TB	120700100101/UP	N	Koh M8T-PS301608	8.0	20"	(4) Rev.
12070S	TB	12070S0100101/UP	N	Koh M8T-PS301608	8.0	20"	(4) Rev.-Sears
12071	TB	120710100101/UP	O	Koh M8ST-PS301609 (1)	8.0	20"	(4) Rev.
12071S	TB	12071S0100101/UP	O	Koh M8ST-PS301609 (1)	8.0	20"	(4) Rev.-Sears
1996							
12039	B	120390100101/UP	D	B&S 135212-0172	5.0	20-26"	FT Chain Drive
12040	B	120400100101/UP	D	B&S 135292-0174	5.0	20-26"	FT Chain Drive w/Rev.
MINI TILLER							
12001	TB	120010100101/UP	H	Tec. TC200-2106 (2)	1.5	6.9"	
12054	B	120540400101/UP	H	Tec. TC200-2106 (2)	1.5	6.9"	
TUFFY							
12060	TB	120600200101/UP	J	Tec. H30-35387T	3.0	14"	1 Spd.-No Rev.
12060C	TB	12060C0200101/UP	J	Tec. H30-35387T	3.0	14"	1 Spd.-No Rev. (5)
12065	B	120650100101/UP	J	Tec. H30-35439V	3.0	14"	1 Spd.-No Rev.
O.P.C. JUNIOR							
15006	TB	150060300101/UP	K	Tec. HS40-55580L	4.0	14"	(4)
15006C	TB	15006C0300101/UP	K	Tec. HS40-55580L	4.0	14"	(4)(5)
O.P.C. PONY							
12050	B	120500200101/UP	L	B&S 135292-0158	5.0	16"	(4)
15008	TB	150080300101/UP	L	B&S 135292-0158-01	5.0	16"	(4)
15008C	TB	15008C0300101/UP	L	B&S 135292-0758	5.0	16"	(4)(5)
15009	TB	150090300101/UP	L	B&S 135297-0157	5.0	16"	(1)(4)
15009C	TB	15009C0300101/UP	L	B&S 135297-0757	5.0	16"	(1)(4)(5)
O.P.C. ECONO HORSE							
15010	TB	15010300101/UP	N	Tec. H60-75543V	6.0	18"	(4)
15010C	TB	15010C0300101/UP	N	Tec. H60-75543V	6.0	18"	(4)(5)

* B - Bolens

TB - Troy-Bilt

** See Section 3-1 for illustrations

More Footnotes: See Section 3-3

ROTARY TILLER MODELS AND SPECIFICATIONS (cont'd)

SKU/MODEL	*	Serial Number	**	Engine Model & Type	HP	Till Width	Remarks
1996(cont'd)							
O.P.C. PTO HORSE							
12067	B	120670200101/UP	N	B&S 19643-0116	8.0	20"	(4) Rev.
12087	TB	120870100101/UP	N	B&S 170432-6113	7.0	20"	(4)(5) Rev.
12087C	TB	12087C0100101/UP	N	B&S 170432-6113	7.0	20"	(4)(5) Rev.
12088	TB	120880100101/UP	N	B&S 170437-6114	8.0	20"	(1)(4) Rev.
12088C	TB	12088C0100101/UP	N	B&S 170437-6114	8.0	20"	(1)(4) Rev.
12089	TB	120890100101/UP	O	B&S 196432-0163	8.0	20"	(4)(5) Rev.
12089C	TB	12089C0100101/UP	O	B&S 196432-0163	8.0	20"	(4)(5) Rev.
12090	TB	120900100101/UP	O	B&S 196437-0134	8.0	20"	(1)(4)(5) Rev.
12090C	TB	12090C0100101/UP	O	B&S 196437-0134	8.0	20"	(1)(4)(5) Rev.
1997							
MINI TILLER							
12001	TB	120010100101/UP	D	Tec. TC200-2106C (2)	1.6	6.9"	
12054	B	120010100101/UP	D	Tec TC200-2106C(2)	1.6	6.9"	
12157	TB	121570100101/UP	D	Tec TC200-2106C(2)	1.6	6.9"	
SMALL TILLER							
12097	TB	120970100101/UP	F	Tec. TC300-3150C (2)	2.0	9.0	
TUFFY							
12155	TB	121550100101/UP	G	Tec. H30-35387T	3.0	14"	1 SPD.-No Rev.
12156	B	121560100101/UP	G	Tec. H30-35439V	3.0	14"	1SPD. -No Rev.
12060	TB	120600100101/UP	G	Tec. H30-35387T	3.0	14"	1 SPD.-No Rev.
12061	B	120610100101/UP	G	Tec. H30-35439V	3.0	14"	1SPD. -No Rev.
O.P.C. JUNIOR							
15006	TB	150060100101/UP	H	HS40-55580L	4.0	14"	(4)
O.P.C. PONY							
12050	B	120500100101/UP	I	B&S 135292-0158	5.0	16"	(4)
15008	TB	150080100101/UP	I	B&S 135292-0158-01	5.0	16"	(4)
15009	TB	150090100101/UP	I	B&S 135297-0157	5.0	16"	(1) (4)
O.P.C. ECONO							
15010	TB	150100100101/UP	J	Tec. H60-75543V	6.0	18"	(4)
O.P.C. HORSE							
12067	B	120670200101/UP	K	B&S 19643-0116	8.0	20"	(4)Rev.
12087	TB	120870100101/UP	K	B&S 170432-6113	7.0	20"	(4) (5) Rev.
12088	TB	120880100101/UP	K	B&S 170437-6114	7.0	20"	(1) (4) (5) Rev.
12089	TB	120890100101/UP	K	B&S 196432-0163 (6)	8.0	20"	(4) (5) Rev.
12090	TB	120900100101/UP	K	B&S 196437-0134 (6)	8.0	20"	(1) (4) (5) Rev.
12153	TB	121530100101/UP	L	B&S 256427-0140-01(6)	11.0	20"	(1) (4) (5) Rev.
1998							
TILLER EDGER							
12097	TB	120971100101/UP	F	Tec. TC300-3152F (2)	2.0	9.0	(2)
TUFFY							
12155	TB	121551200101/UP	G	Tec. H30-35387Y	3.0	14"	1 SPD.-No Rev.
12156	B	121561200101/UP	G	Tec. H30-35439Y	3.0	14"	1SPD. -No Rev.
O.P.C. JUNIOR							
15006	TB	150061100101/UP	H	HS40-55801A	4.0	14"	(4)
O.P.C. PONY							
12050	B	120500100101/UP	I	B&S 135292-1158-E2	5.0	16"	(4)
15008	TB	150081100101/UP	I	B&S 135292-1158-E1	5.0	16"	(4)
15009	TB	150091100101/UP	I	B&S 135297-1157-E1	5.0	16"	(1) (4)

* B - Bolens

** See Section 3-1 for illustrations

TB - Troy-Bilt

More Footnotes: See Section 3-3

ROTARY TILLER MODELS AND SPECIFICATIONS (cont'd)

SKU/MODEL	*	Serial Number	**	Engine Model & Type	HP	Till Width	Remarks
1998 Contd							
<u>O.P.C. ECONO</u>							
15010	TB	150100400101/UP	J	Tec. H60-75543W	6.0	18"	(4)
12174	TB	121741100101/UP	J	Tec. OHH60-71102C	6.0	18"	(4)
<u>O.P.C. HORSE</u>							
12067	B	120670400101/UP	K	B&S 196432-1163-E2	8.0	20"	(4)Rev.
12089	TB	120891100101/UP	K	B&S 196432-1163-E1(6)	8.0	20"	(4) (5) Rev.
12090	TB	120901100101/UP	K	B&S 196437-1134-01 (6)	8.0	20"	(1) (4) (5) Rev.
12153	TB	121531100101/UP	L	B&S 256427-1140-E1(6)	11.0	20"	(1) (4) (5) Rev.
<u>VERSATILLER</u>							
12168	TB	121681100101/UP	M	Tec. OHH50-68127F	5.0	12"	(4) (5)
1999							
<u>TILLER EDGER</u>							
12097	TB	120971100101/UP	F	Tec. TC300-3152F (2)	2.0	9.0"	(2)
12159	B	121591100101/UP	F	Tec. TC300-3152F (2)	2.0	9.0"	(2)
<u>TUFFY</u>							
12155	TB	121551200101/UP	G	Tec. H30-35387Y	3.0	14"	1 SPD.-No Rev.
12156	B	121561200101/UP	G	Tec. H30-35439Y	3.0	14"	1SPD. -No Rev.
12163	B	121631100101/UP	G	Tec. H30-35439Y	3.0	14"	(4)
12190	GW	121901100101/UP	Q	Tec. H30-35439Y	3.0	14"	CRT/Slasher
12191	GW	121911100101/UP	Q	Tec OHH50-68127F	5.0	14"	CRT/Slasher
12217	TB	122171100101/UP	G	Tec. H30-35439Y	3.5	14"	(4)
<u>BRONCO</u>							
12180	TB	121801100101/UP	R	B&S 110412 0144-E1	5.0	14"	(4)
<u>O.P.C. JUNIOR</u>							
15006	TB	150061100101/UP	H	HS40-55801A	4.0	14"	(4)
<u>O.P.C. PONY</u>							
12050	B	120500100101/UP	I	B&S 135292-1158-E2	5.0	16"	(4)
12164	B	121641100101/UP	I	B&S 135292-1158-E2	5.0	16"	(4)
12177	TB	121771100101/UP	I	B&S 1.34E+04-1158-E1	5.0	16"	(4)
12181	TB	121811100101/UP	I	B&S 110412 0145 E1	6.0	16"	(4)
12182	TB	121821100101/UP	1	B&S 110417-0146-E1	6.0	16"	(1) (4)
12183	TB	121831100101/UP	I	Honda GJAE 1618854	5.5	16"	Pro-Line Recoil SRT
12197	B	121971100101/UP	I	B&S 110412-0145-E1	6.0	16"	(4)
15008	TB	150081100101/UP	I	B&S 135292-1158-E1	5.0	16"	(4)
15009	TB	150091100101/UP	I	B&S 135297-1157-E1	5.0	16"	(1) (4)
<u>O.P.C. ECONO</u>							
15010	TB	150100400101/UP	J	Tec. H60-75543W	6.0	18"	(4)
12174	TB	121741100101/UP	J	Tec. OHH60-71102C	6.0	18"	(4)
12185	TB	121851100101/UP	J	Tec. OHH60-71102C	7.0	18"	(4)
12193	GW	121831100101/UP	G	B&S 1204120111E1	6.5	17"	CRT/Slasher
12194	GW	121941100101/UP	G	Tec. HM80-155651S	8.0	20"	CRT/Slasher
<u>O.P.C. HORSE</u>							
12067	B	120670400101/UP	K	B&S 196432-1163-E2	8.0	20"	(4)Rev.
12089	TB	120891100101/UP	K	B&S 196432-1163-E1(6)	8.0	20"	(4) (5) Rev. non-I/P
12090	TB	120901100101/UP	K	B&S 196437-1134-01 (6)	8.0	20"	(1) (4) (5) Rev.
12153	TB	121531100101/UP	L	B&S 256427-1140-E1(6)	11.0	20"	(1) (4) (5) Rev.
12166	B	121661100101/UP	K	B&S 196432-1163-E2	8.0	20"	4) (5) Rev. non-I/P
12178	TB	121781100101/UP	K	B&S 196432-1163-E1	8.0	20"	4) (5) Rev. non-I/P
12194	GW	121941200101/UP	Q	Tec. HM80-155651S	8.0	20"	CRT/Slasher

* B - Bolens

TB - Troy-Bilt

GW - Garden Way by Troy-Bilt

** See Section 3-1 for illustrations

More Footnotes: See Section 3-3

ROTARY TILLER MODELS AND SPECIFICATIONS (cont'd)

SKU/MODEL	*	Serial Number	**	Engine Model & Type	HP	Till Width	Remarks
1999 Contd							
O.P.C. HORSE							
12204	TB	122041100101/UP	O	B&S 19G437-1190-E1	10.0	20"	(1) (4) (5)
12206	B	122061100101/UP	Q	Tec. HM80-115651S	8.0	20"	CRT/Slasher
VERSATILLER							
12168	TB	121681100101/UP	M	Tec. OHH50-68127F	5.0	14"	(4) (5)
2000							
TILLER EDGER							
12097	TB	120971100101/UP	F	Tec. TC300-3196G (2)	2.0	9.0"	2 - cycle SRT
12207	B	122071100101/UP	F	Tec. TC300-3183F (2)	2.0	9.0"	2 - cycle SRT
12215	GW	122151100101/UP	F	Tec. TC300-3196G (2)	2.0	9.0"	2 - cycle SRT
12216	TB	121591100101/UP	F	Honda GCAG TA2	1.5	9.0"	4 - cycle SRT
TUFFY							
12208	TB	122081100101/UP	G	B&S 1104120154E1C0040	4.5	16"	(4) "Super Tuffy" SRT
12213	GW	122131100101/UP	G	B&S 1104120154E1C0040	4.5	16"	(4) SRT
12217	TB	122171100101/UP	G	Tec. H30-35439Y	3.5	14"	(4) SRT
12220	B	122201100101/UP	R	Tec. H35-47751Y	3.5	14"	(4) SRT
12225	TB	122251100101/UP	G	Tec. 1104120154E1C0040	4.5	14"	(4) SRT
BRONCO							
12209	TB	122091100101/UP	R	B&S 1104120154E1C0040	5.5	16"	(4) SRT
12210	TB	122101100101/UP	R	B&S 1214120158E1C0040	6.5	16"	(3) (4) "Super Bronco"
12214	GW	122141100101/UP	Q	B&S 1104120154E1C0040	5.5	16"	(4) CRT
PONY							
12183	TB	121831100101/UP	I	Honda GJAE 1618854	5.5	16"	Pro-Line Recoil SRT
12193	GW	121931100101/UP	Q	B&S 1214120158E1C0040	6.5	17"	(4) CRT
12194	GW	121941100101/UP	Q	Tec. HM80-155651S	8.0	17"	(4) CRT
12211	TB	122111100101/UP	I	B&S 1214120158E1C0040	7.0	16"	(4) Recoil SRT
12212	TB	122121100101/UP	I	B&S 12014170157E1C0040	7.0	16"	(4) Electric SRT
12219	B	122201100101/UP	R	B&S 1214120158E1C0040	7.0	16"	(4) Recoil SRT
HORSE							
12089	TB	120891100101/UP	K	B&S 196432-1163-E1(6)	8.0	20"	(4) (5) Rev.
12090	TB	120901100101/UP	K	B&S 196437-1134-01 (6)	8.0	20"	(1) (4) (5) Rev.
12194	GW	121941200101/UP	Q	Tec. HM80-155651S	8.0	20"	CRT/Slasher
12204	TB	122041100101/UP	K	B&S 19G437-1190-E1	10.0	20"	(1) (4) (5)
12218	B	122181100101/UP	K	B&S 1924321219E1G0032	8.0	20"	(4) (5)
VERSATILLER							
12168	TB	121681100101/UP	M	Tec. OHH50-68127F	5.0	14"	(4) (5)

* B - Bolens

TB - Troy-Bilt

GW - Garden Way by Troy-Bilt

** See Section 3-1 for illustrations

More Footnotes: See Section 3-3

ROTARY TILLER MODELS AND SPECIFICATIONS (cont'd)

***B** - Bolens **TB** - Troy-Bilt **GW** - Garden Way by Troy-Bilt

- 1-Electric Start
- 2-2 Cycle
- 3-I.C. Engine
- 4-Operator Presence Controls
- 5-Carb Compliant
- 6-Industrial Plus

ILLUSTRATIONS

** See Section 1 Pages 1 - 5

SPEEDY HOE/MINI TILLER RPM

After the engine reaches operating temperature, make sure that the engine idle is at 2200 RPM. Also, check engine high (no load) RPM and adjust as necessary to 6000 RPM. The clutch should engage at 3200-3500 RPM.

ADDING OR CHANGING GEAR OIL - WORM DRIVES

For *partial fill-ups* (a few ounces or less), use SAE140, SAE 85W-90 weight gear oil with an API rating of GL-3, GL-4 or GL-5. For *full replacement*, use SAE 140 or SAE 85W-140 gear oil with an API rating of GL-4 only. (At the Factory, SAE 85W-140 weight gear oil is used.)

ADDING OR CHANGING GEAR OIL - CHAIN DRIVES

For *partial fill-ups* (a few ounces or less), use SAE 85W-90 weight gear oil with an API rating of GL-3, GL-4 or GL-5.

For *full replacement*, use SAE 90 gear oil only. (At the Factory, SAE 90 weight gear oil is used.)

TROY-BILT TILLER TRANSMISSION TUBE REPAIR

1. Disassemble the transmission. Wash thoroughly.
2. Attach to the casing Dlr Name, Address, Telephone number and ID number also attach customer name, address and daytime telephone number
3. Send ttransmission housing (Including tube if seperated) to:
 Troy-Bilt 30 Day Returns,
 Attn: Tube Repair
 Call 1 800 843-2496 for current address
4. File warranty claim for labor, seals, gaskets and reasonable shipping charges to Troy-Bilt

Note: A fee will be charged for additional disassembly, assembly and labor not associated with a tube repair.

ROTARY TILLER ATTACHMENT INTERCHANGEABILITY*

		F R A M E T Y P E										
SKU/	Accessory	Speedy	Mini	Small	Roto-ette	Tuffy	Junior	Pony	Econo	Horse	PTO...	Versatiller
Description	No.	Hoe	Tiller	Tiller/	Cultivator	Frame		Frame			Horse	12168
				Edger	Plus						Horse	
				12097		SRT	15006	SRT	12174			12067
				12159		12155		12050	12185			12088
				12207		12156		12164	15010			12089
				12215		12163		12181	15011			12090
				12216		12180		12182				12153
						12208		12183				12166
						12209		12197				12204
						12210		12211				12218
						12213		12212				
						12217		12219				
						12220		15008				
						12225		15009				
						CRT		CRT				
						12190		12194				
						12191		12206				
						12193						
						12214						
SKU/	Accessory	Speedy	Mini	Small	Roto-ette	Tuffy	Junior	Pony	Econo	Horse	PTO...	Versatiller
Description	No.	Hoe	Tiller	Edger	Cultivator	Frame		Frame			Horse	12168
Aerator	H213925		X	X								
	12574			X								X
	12595											
Border/Edger	H213931(8)		X	X								X
	12594											X
Bumper	1901457							X				
	11045					X	(2)					
	11071								X			
(INCLUDES 11HP)	12537 (8)									X		X
	12550							(7)			X	
	12552 (8)									X		(7)
	12556 (8)									X		X
	12558					(7)						X
	12562									X		X
	12563											(7)
	12588											X
	12590											X
	12593					X		X				
	12596								X	(11)		
	12597					X	X					
Chains - Tire	9146										X	X
Chipper/Shredder	2009 (8)											X
	47026											(6)
Delhatcher	H213914(8)		X									
Dozer Blade	1407									X		X
(REQUIRES BUMPER)	12555											(7)
	12584											X
Dozer/Bumper	1873 (8)									X		X
	12586											X
Furrower	10061 (8)				X							
Generator	2010 (8)											X
Hiller/Furrower	12551											
	12553										(7)	
	12578									X		X
	12579											
	20868						(2)	X	X			
	2638						(2)	X	X	X		

ROTARY TILLER ATTACHMENT INTERCHANGEABILITY*

SKU/ Description	Accessory No.	Speedy Hoe	Mini Tiller	Small Tiller/ Edger	Roto-ette Cultivator Plus	Tuffy Frame	E Junior	T Pony Frame	Y Econo	P Horse	E	
											12097 12159 12207 12215 12216	12067 12088 12089 1209 12153 12166 12204 12218
H/F - Row Marker	12581 (8) 12582 (8)							X	X	X	X	
(2- Box - - combination)	1850 (8) 1851 (8)						X	X	X	X	X	
Kickstand	1931 (8) 12580 (8)											X X
Logsplitter	12576											X
Power Lawn Rake	12570 (8) 12575		X	X								
Row Marker	12589 1832						X X	X X	X X	X X	X X	
Saddlebag/ Tool Pouch	1945 (8) 11386 (8)									X	X	
Snowthrower	60225 (8)				(1)							
Sod Point	1307					(12)	X	(12)	X	X	X	
Tiller Cover	1446 (8) 20452 (8)							X	X	X	X	
Tine Kit- Bolo	1901118 5013 (8) 1901			X	X		X	X	X	X	X	
- Hard Faced - Slasher 11" Slasher 14"	10802 (8) 1916783 1916785					(1) (1)		X (9)	X (10)	X (9)	X (10)	
Tine Cradle	12583 (8) 2007 (8)											X X
Tow Hitch	2004 12554 (8) 12577											X (7) X
Power Edger	10081 (8)				X							
V-Sweep Cultivator (REQ. TOW HITCH)	2003 1900787 (8) 12587											X (7) X
Wheels-Transport	H216454 (8)		X	X								
Weights - Wheel - Frame	10185 1916454					X			(13)	X	X	
Wrench - PTO	2005 (8)											X

Versatiller 12168

FOOTNOTES

NOTE: Check Accessory or Sales Price List for availability.

1 - Fits model 60250 only (modified).

2 - Serial M67999 & up.

3 - Serial S132875 - S198078.

4 - Serial S198487 - S242679.

5 - Serial S242650 & up.

6 - Can't be sold as an attachment for tillers that are not equipped with Operator Presence Controls. The shredder attachment is not fully functional on tiller NOT equipped with OPC (serial #856157 and lower).

7 - Green International.

8 - Item no longer available.

9 - CRT Garden Way by Troy-Bilt tillers only. 11" Models: 12190, 12191, 12193, 12214,

10 - CRT Garden Way by Troy-Bilt tillers only. 14" Models: 12194, 12206,

11 - 7HP Econo Horse

12 - Excluding CRT Models

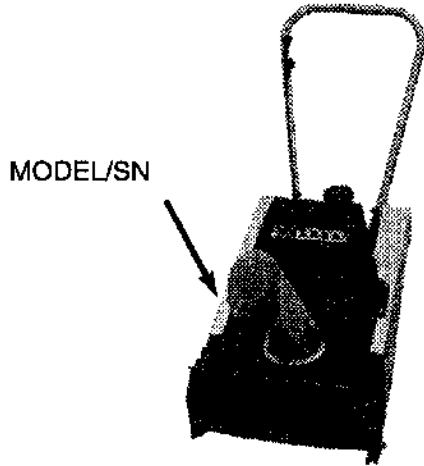
13 - Not available as a kit

SNOWTHROWER

TYPE		CHAPTER	SECTION	PAGE
<u>WALK BEHIND SNOWTHROWERS</u>	Identification.....6	1		1-2
Models & Specifications	6	2		1-7
Engine RPM	6	2		7
Attachments	6	3		1

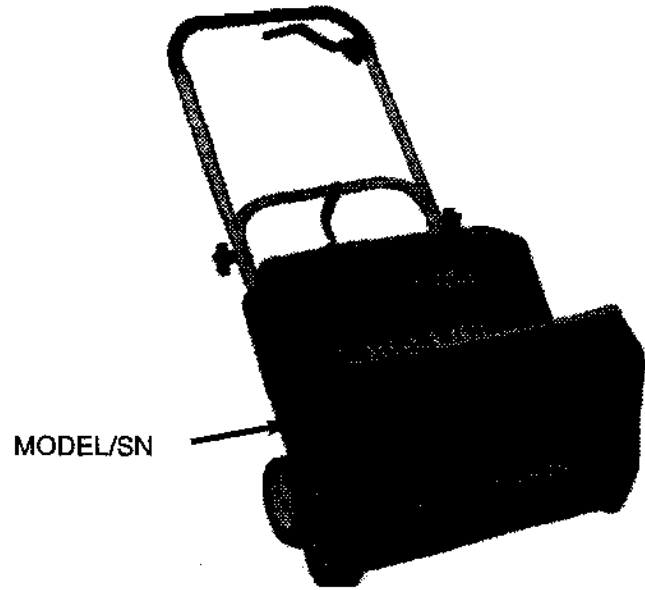
SNOWTHROWER IDENTIFICATION

WINTER KING (A)



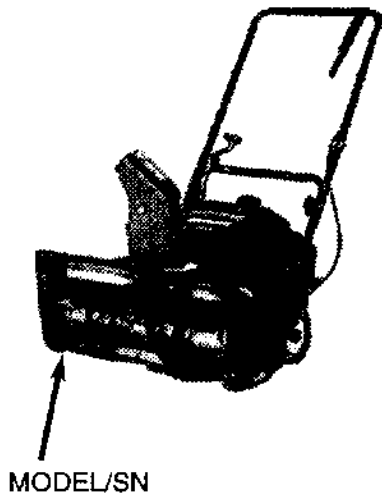
(Attachments - None)

MINI (B)



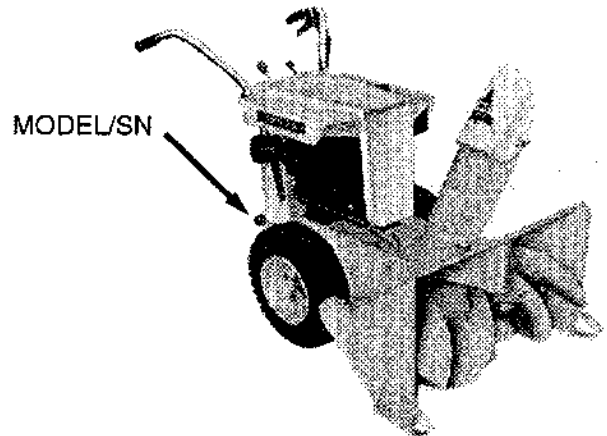
(Attachments - Section 6-3 Page 1)

SHOOTER (C)



(Attachments - None)

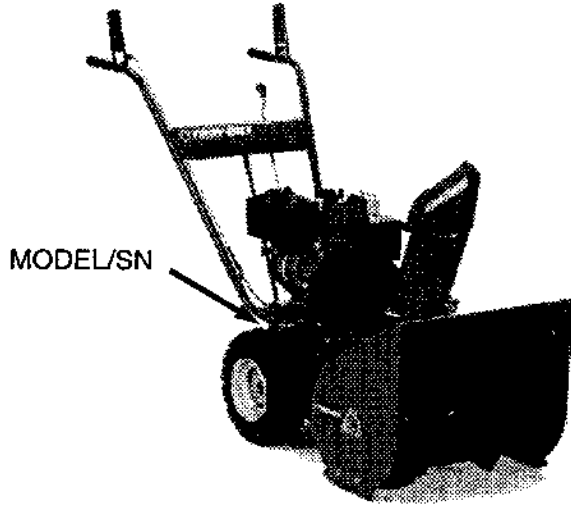
ARTIC 40 & 60 (D)



(Attachments - None)

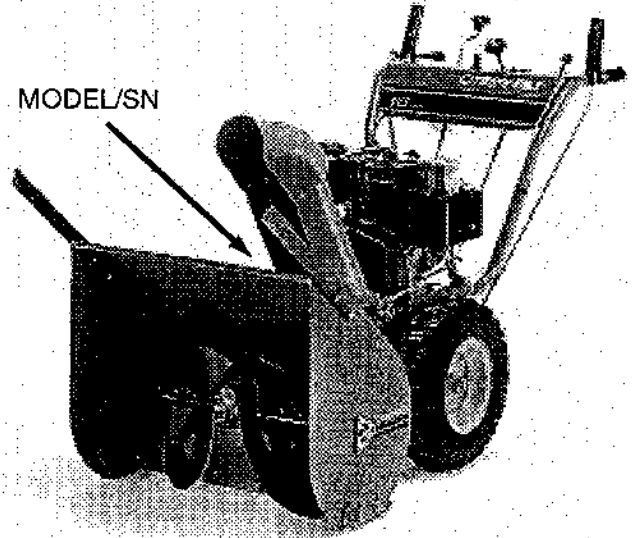
SNOWTHROWER IDENTIFICATION

MID FRAME (E)



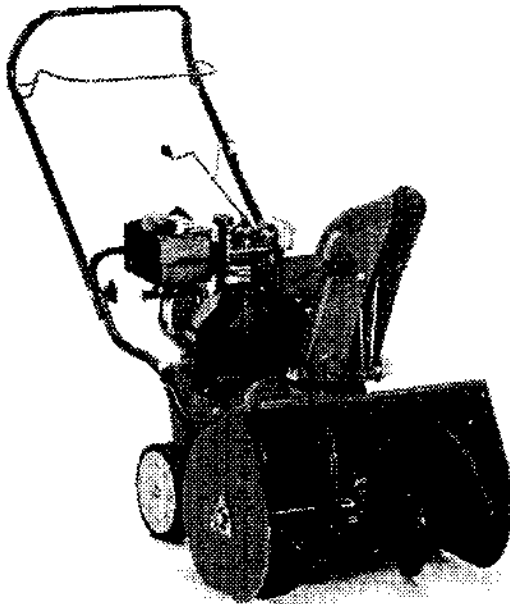
(Attachments - Section 6-3 Page 1)

LARGE FRAME (F)



(Attachments - Section 6-3 Page 1)

AUGER DRIVE (G)



(Attachments - Section 6-3 Page 1)

SINGLE STAGE (H)



(Attachments - Section 6-3 Page 1)

SNOWTHROWER MODELS AND SPECIFICATIONS

SKU/ MODEL	*	SERIAL NUMBER	**	ENGINE MODEL & TYPE	HP	WIDTH	REMARKS
1961 525-01	B	NA	A	B & S 81202-928225	3.0	18"	Single Stage
1962 528-01	B	NA	A	B & S 81202-928225	3.0	18"	Single Stage
1963 531-01	B	NA	A	B & S 80202-948136	3.0	18"	Single Stage
1964 532-01 (Artic 40)	B	NA	D	B & S 100202-40117	4.0	21"	Single Stage
536-01 (Artic 60)	B	NA	D	La. H60-75062B	6.0	26"	Single Stage
1965 532-01 (Artic)	B	NA	D	B& S 100202-022501	4.0	21"	Single Stage
536-02 (Artic 60)	B	NA	D	La. H60-75062B	6.0	26"	Single Stage
1966 535-01 (Artic 40)	B	NA	D	B & S 100202-022501	4.0	21"	Single Stage
536-03 (Artic 60)	B	NA	D	La. H60-75062B & 75062E	6.0	26"	Single Stage
1967 536-04 (Artic 60)	B	NA	D	La H60 Snow King 75062G	6.0	26"	Single Stage
1968 536-05 (Artic 60)	B	NA	D	La. H60 Snow King 75062G	6.0	26"	Single Stage
1969 537-01 (Artic 70)	B	NA	F	Tec. H70-130023	7.0	26"	Two Stage
538-01 (Artic 70)	B	NA	F	Tec. H70-130023	7.0	26"	Two Stage
539-01 (Artic 70)	B	NA	F	Tec. H70-130023	7.0	26"	Two Stage
540-01 (Artic 70)	B	NA	F				Attachment for the Artic 70 Only
1970 55-01	B	NA	F	Tec. H50-65224H	5.0	24"	Two Stage
75-01	B	NA	F	Tec. H70-130064	7.0	26"	Two Stage
1971 55-02	B	NA	F	Tec. H50-65224H	5.0	24"	Two Stage
75-02	B	NA	F	Tec. H70-130064H	7.0	26"	Two Stage
1972 55-03	B	NA	F	Tec. H50-65224J	5.0	24"	Two Stage
75-03	B	NA	F	Tec. H70-130124A	7.0	26"	Two Stage

* B - Bolens

TB Troy Bilt

** Illustrations see Section 6-1 page 1 & 2

NA - Not Applicable

SNOWTHROWER MODELS AND SPECIFICATIONS (CONT'D)

SKU/ MODEL	*	SERIAL NUMBER	**	ENGINE MODEL & TYPE	HP	WIDTH	REMARKS
1973							
524-01	B	NA	F	Tec. HSK50-65366J	5.0	24"	Two Stage
726-01		NA	F	Tec. HSK70-130165-A	7.0	26"	Two Stage w/Diff
832-01	B	NA	F	Tec. HMSK80-155022	8.0	32"	Two Stage w/Diff
1974/1975							
524	B	0200101/UP	F	Tec. HSK50-65366J	5.0	24"	Two Stage
	B	0300101/UP	F	Tec. HSK50-65366J	5.0	24"	Two Stage
726	B	0200101/UP	F	Tec. HSK70-130165A	7.0	26"	Two Stage w/Diff
832	B	0200101/UP	F	Tec. HMSK80-155022	8.0	32"	Two Stage w/Diff
1976							
524	B	0400101/UP	F	Tec. HSSK50-67073A	5.0	24"	Two Stage
625	B	0100101/UP	F	Tec. HSK60-75428L	6.0	24"	Two Stage
826	B	0100101/UP	F	Tec. HMSK80-155022D	8.0	26"	Two Stage w/Diff
1977/1978							
524	B	0500101/UP	F	Tec. HSSK50-67073C	5.0	24"	Two Stage
625	B	0200101/UP	F	Tec. HSK60-75428M	6.0	24"	Two Stage
826	B	0200101/UP	F	Tec. HMSK80-155022D	8.0	26"	Two Stage w/Diff
1979							
524	B	0600101/UP	F	Tec. HSSK50-67073B	5.0	24"	Two Stage
724	B	0100101/UP	F	Tec. HSK70-130165D	7.0	24"	Two Stage
826	B	0300101/UP	F	Tec. HMSK80-155022D, E	8.0	26"	Two Stage
1026	B	0100101/UP	F	Tec. HMSK100-159033C	10.0	26"	Two Stage w/Diff
1032	B	0100101/UP	F	Tec. HMSK100-159033C	10.0	32"	Two Stage w/Diff
1980							
225	B	0100101/UP	B	Tec. AH520-1598	2.25	20"	2-cycle, Paddle
	B	0101102/UP	B	Tec. AH520-1609	2.25	20"	2-cycle, Paddle
225CE	B	0100101/UP	B	Tec. AH520-1609	2.25	20"	Paddle
225E	B	0100101/UP	B	Tec. AH520-1608	2.25	20"	2-cycle, ElecStart, Paddle
350	B	0100101/UP	B	Tec. H3545535M	3.5	20"	Elec. Start, Paddle
350CE	B	0100101/UP	B	Tec. H3545535M	3.5	20"	Elec. Start, Paddle
350E	B	0100101/UP	B	Tec. H35-45529M	3.5	20"	Elec. Start, Paddle
500	B	0100101/UP	B	Tec. HS50-67187C	5.0	24"	Paddle
500CE	B	0100101/UP	B	Tec. HS50-67187C	5.0	24"	Paddle
500E	B	0100101/UP	B	Tec. HS50-67182C	5.0	24"	Elec Start, Paddle
524	B	0700101/UP	F	Tec. HSSK50-67073B	5.0	24"	Two Stage
524C	B	0100101/UP	F	B&S	5.0	24"	Two Stage
524SS	B	0100101/UP	F	Tec. HSSK50-67073D	5.0	24"	Two Stage
724	B	0200101/UP	F	Tec. HSK70-130165D	7.0	24"	Two Stage
724SS	B	0100101/UP	F	Tec. HSK70-130165D	7.0	24"	Two Stage
826	B	0400101/UP	F	Tec. HMSK80-15022D, E	8.0	26"	Two Stage w/Diff
826SS	B	0100101/UP	F	Tec. HMSK80-15022D, E	8.0	26"	Two Stage w/Diff
1026	B	0200101/UP	F	Tec. HMSK100-159033C	10.0	26"	Two Stage w/Diff
1026C	B	0100101/UP	F	B&S	10.0	26"	Two Stage
1026SS	B	0100101/UP	F	Tec. HMSK100-159033C	10.0	26"	Two Stage w/Diff
1032	B	0200101/UP	F	Tec. HMSK100-159033C	10.0	26"	Two Stage w/Diff
1032EU	B	0100101/UP	F	Tec. HMSK100-159033C	10.0	26"	Two Stage w/Diff
1032SS	B	0100101/UP	F	Tec. HMSK100-159033C	10.0	26"	Two Stage w/Diff
1981/1982							
225	B	0201001/UP	B	Tec. AH520-2609A	2.25	20"	2-cycle, Paddle
225E	B	0201001/UP	B	Tec. AH520-1608A	2.25	20"	2-cycle, ElecStart, Paddle
350	B	0201001/UP	B	Tec. H35-45549N	3.5	20"	Paddle
350E	B	0200101/UP	B	Tec. H35-45550N	3.5	20"	Elec. Start, Paddle
500	B	0200101/UP	B	Tec. HS50-67197D	5.0	24"	Paddle
500E	B	0200101/UP	B	Tec. HS50-67198D	5.0	24"	Elec. Start, Paddle
524	B	0800101/UP	F	Tec. HSSK50-67073B	5.0	24"	Two Stage
524EX	B	0100101/UP	F	Tec. HSSK50-67073B	5.0	24"	Two Stage
524SK	B	0100101/UP	F	Tec. HSSK50-67073B	5.0	24"	Two Stage
524SS	B	0100101/UP	F	Tec. HSSK50-67073B	5.0	24"	Two Stage
524SX	B	0100101/UP	F	Tec. HSSK50-67073B	5.0	24"	Two Stage

*B - Bolens

** Illustrations see Section 6-1 page 1 & 2

TB Troy Bilt

SNOWTHROWER MODELS AND SPECIFICATIONS (CONT'D)

SKU/ MODEL	*	SERIAL NUMBER	**	ENGINE MODEL & TYPE	HP	WIDTH	REMARKS
1981/1982 CONT'D							
724	B	0300101/UP	F	Tec. HSK70-130165D	7.0	24"	Two Stage
800/801	B	0100101/UP	F	Tec. HSK80-155138F	8.0	24"	Two Stage
826	B	0500101/UP	F	Tec. HMSK80-155022D,E	8.0	26"	Two Stage w/Diff
826SS	B	0100101/UP	F	Tec. HMSK80-155022D,E	8.0	26"	Two Stage w/Diff
1032	B	0200101/UP	F	Tec. HMSK100-159033C	10.0	32"	Two Stage w/Diff
	B	0300101/UP	F	Tec. HMSK100-159033C	10.0	32"	Two Stage w/Diff
1032EX	B	0100101/UP	F	Tec. HMSK100-159033C	10.0	32"	Two Stage w/Diff
1032SK	B	0100101/UP	F	Tec. HMSK100-159033C	10.0	32"	Two Stage w/Diff
1032SS	B	0100101/UP	F	Tec. HMSK100-159033C	10.0	32"	Two Stage w/Diff
1983							
225	B	0300101/UP	B	Tec. AH520-1609A	2.25	20"	2-cycle, Paddle
225E	B	0300101/UP	B	Tec. AH520-1608A	2.25	20"	2-cycle, Electric Start, Paddle
350	B	0300101/UP	B	Tec. H35-45549N	3.5	20"	Paddle
350E	B	0300101/UP	B	Tec. H35-45550N	3.5	20"	Electric Start, Paddle
500	B	0300101/UP	B	Tec. HS50-67197D	5.0	24"	Paddle
500E	B	0300101/UP	B	Tec. HS50-67198D	5.0	24"	Electric Start, Paddle
524	B	0900101/UP	F	Tec. HSSK50-67073D	5.0	24"	Two Stage
524SD	B	0100101/UP	F	Tec. HSSK50-67073D	5.0	24"	Two Stage
524SX	B	0100101/UP	F	Tec. HSSK50-67073D	5.0	24"	Two Stage
724	B	0400101/UP	F	Tec. HSK70-130165F	7.0	24"	Two Stage
824	B	0100101/UP	F	Tec. HMSK80-155022G	8.0	24"	Two Stage
824C	B	0100101/UP	F	Tec. HMSK80-155022G	8.0	24"	Two Stage
826	B	0600101/UP	F	Tec. HMSK80-155022G	8.0	26"	Two Stage w/Differential
826SX	B	0100101/UP	F	Tec. HMSK80-155022G	8.0	26"	Two Stage w/Differential
1026	B	0400101/UP	F	Tec. HMSK100-159033G	10.0	26"	Two Stage w/Differential
1026C	B	0200101/UP	F	Tec. HMSK100-159033G	10.0	26"	Two Stage w/Differential
1026SX	B	0200101/UP	F	Tec. HMSK100-159033G	10.0	26"	Two Stage w/Differential
1032	B	0400101/UP	F	Tec. HMSK100-159033G	10.0	32"	Two Stage w/Differential
1032SD	B	0100101/UP	F	Tec. HMSK100-159033G	10.0	32"	Two Stage w/Differential
1984/1985							
300	B	0100101/UP	B	Tec. AH600-1633	3.0	20"	2-cycle, Paddle
300E	B	0100101/UP	B	Tec. AH600-1634	3.0	20"	2-cycle, Paddle
350	B	0400101/UP	B	Tec. H35-45549N	3.5	20"	Paddle
350E	B	0400101/UP	B	Tec. H35-45550N	3.5	20"	Electric Start, Paddle
500	B	0400101/UP	B	Tec. HS50-67197D	5.0	24"	Paddle
500E	B	0400101/UP	B	Tec. HS50-67198D	5.0	24"	Electric Start, Paddle
524	B	0900101/UP	F	Tec. HSSK50-67073D	5.0	24"	Two Stage
	B	1000101/UP	F	Tec. HSSK50-67073D	5.0	24"	Two Stage
724	B	0400101/UP	F	Tec. HSK70-130165F	7.0	24"	Two Stage
824	B	0100101/UP	F	Tec. HMSK80-155022M	8.0	24"	Two Stage w/Differential
	B	0200101/UP	F	Tec. HMSK80-155282M	8.0	24"	Two Stage w/Differential
826	B	0600101/UP	F	Tec. HMSK80-155022M	8.0	26"	Two Stage w/Differential
	B	0700101/UP	F	Tec. HMSK80-155282M	8.0	26"	Two Stage w/Differential, Alt.
1026	B	0400101/UP	F	Tec. HMSK100-159033G	10.0	26"	Two Stage w/Differential
1026Y	B	0100101/UP	F	Tec. HMSK100-159033G	10.0	26"	Two Stage w/Differential
1032	B	0400101/UP	F	Tec. HMSK100-159033G	10.0	32"	Two Stage w/Differential
	B	0500101/UP	F	Tec. HMSK100-159102M	10.0	32"	Two Stage w/Differential, Alt.
1986							
300	B	0200101/UP	B	Tec. AH600-1634B	3.0	20"	2-cycle, Paddle
500E	B	0500101/UP	B	Tec. HS50-67198D	5.0	24"	Electric Start, Paddle
520	B	0100101/UP	B	Tec. HS50-67198D	5.0	20"	Paddle
624	B	0100101/UP	F	Tec. HSK60-75493	6.0	24"	Two Stage
824	B	0300101/UP	F	Tec. HMSK80-155282K	8.0	24"	Two Stage
826	B	0800101/UP	F	Tec. HMSK80-155282K	8.0	26"	Two Stage w/Differential
1026	B	0500101/UP	F	Tec. HMSK100-159033G	10.0	26"	Two Stage w/Differential
1026Y	B	0200101/UP	F	Tec. HMSK100-159033G	10.0	26"	Two Stage w/Differential
1032	B	0600101/UP	F	Tec. HMSK100-159033G	10.0	32"	Two Stage w/Differential

* B - Bolens
TB Troy Bilt

** Illustrations see Section 6-1 page 1 & 2

SNOWTHROWER MODELS AND SPECIFICATIONS (CONT'D)

SKU/ MODEL	*	SERIAL NUMBER	**	ENGINE MODEL & TYPE	HP	WIDTH	REMARKS
1986							
CONT'D							
1032E	B	0100101/UP	F	Tec. HMSK100-159033G	10.0	32"	Two Stage w/Differential
1032SF	B	0100101/UP	F	Tec. HMSK100-159033G	10.0	32"	Two Stage w/Differential
5210	B	0100101/UP	E	Tec. HSSK50-67257F	5.0	21"	Two Stage
5210S	B	0100101/UP	E	Tec. HSSK50-67257F	5.0	21"	Two Stage
1987							
300	B	0300101/UP	B	Tec. AH600-1634B	3.0	20"	2-cycle, Paddle
322	B	0100101/UP	C	B & S 62032-0651	3.0	22"	2-cycle, Auger Drive
500E	B	0500101/UP	B	Tec. HS50-67198F	5.0	24"	Electric Start, Paddle
520	B	0100101/UP	B	Tec. HS50-67198F	5.0	20"	Paddle
624	B	0100101/UP	F	Tec. HSK60-75493U	6.0	24"	Two Stage
824	B	0400101/UP	F	Tec. HMSK80-155022L	8.0	24"	Two Stage
824B	B	0100101/UP	F	Tec. HMSK80-155320L	8.0	24"	Two Stage w/Blizzard Pack
824I	B	0100101/UP	F	Tec. HMSK80-155022L	8.0	24"	Two Stage
824ID	B	0100101/UP	F	Tec. HMSK80-155022L	8.0	24"	Two Stage
824IS	B	0100101/UP	F	Tec. HMSK80-155022L	8.0	24"	Two Stage
826B	B	0100101/UP	F	Tec. HMSK80-155320L	8.0	26"	Two Stage w/Diff. & Blizzard Pack
1026	B	0500101/UP	F	Tec. HMSK100-159102K	10.0	26"	Two Stage w/Diff.
1032	B	0700101/UP	F	Tec. HMSK100-159033G	10.0	32"	Two Stage w/Diff.
1032B	B	0100101/UP	F	Tec. HMSK100-159102K	10.0	32"	Two Stage w/Diff. & Blizzard Pack
1032I	B	0100101/UP	F	Tec. HMSK100-159102K	10.0	32"	Two Stage
1032IS	B	0100101/UP	F	Tec. HMSK100-159102K	10.0	32"	Two Stage
1032SF	B	0100101/UP	F	Tec. HMSK100-159102K	10.0	32"	Two Stage
4021	B	0100101/UP	E	Tec. HSSK40-55558J	4.0	21"	Two Stage w/Auger Drive
5210	B	0100101/UP	E	Tec. HSSK50-67257F	5.0	21"	Two Stage
5210S	B	0100101/UP	E	Tec. HSSK50-67257F	5.0	21"	Two Stage
1988							
300	B	0300101/UP	B	Tec. AH600-1634B	3.0	20"	
322	B	0200101/UP	C	B & S 62037-0651	3.0	20"	2-cycle, Auger Drive
500E	B	0500101/UP	B	Tec. HS50-67198E	5.0	24"	Electric Start
520	B	0100101/UP	B	Tec. HS50-67198F	5.0	20"	Paddle
624	B	0200101/UP	F	Tec. HSK60-75493U	6.0	24"	Two Stage
824	B	0600101/UP	F	Tec. HMSK80-155022L	8.0	24"	Two Stage
824A	B	0100101/UP	F	Tec. HMSK80-155282L	8.0	24"	Two Stage w/Alternator
824I	B	0100101/UP	F	Tec. HMSK80-155022L	8.0	24"	Two Stage w/Alternator
824ID	B	0100101/UP	F	Tec. HMSK80-155022L	8.0	24"	Two Stage w/Alternator
824IS	B	0100101/UP	F	Tec. HMSK80-155022L	8.0	24"	Two Stage w/Alternator
824ISD	B	0100101/UP	F	Tec. HMSK80-155022L	8.0	24"	Two Stage w/Alternator
1026	B	0500101/UP	F	Tec. HMSK100-159102K	10.0	26"	Two Stage w/Diff. & Alternator
1026I	B	0100101/UP	F	Tec. HMSK100-159102K	10.0	26"	Two Stage w/Diff. & Alternator
1026IS	B	0100101/UP	F	Tec. HMSK100-159102K	10.0	26"	Two Stage w/Diff. & Alternator
1032	B	0700101/UP	F	Tec. HMSK100-159102K	10.0	32"	Two Stage w/Diff. & Alternator
1032B	B	0700101/UP	F	Tec. HMSK100-159102K	10.0	32"	Two Stage w/Diff. & Blizzard Pack
1032I	B	0700101/UP	F	Tec. HMSK100-1590336	10.0	32"	Two Stage w/Diff.
1032IS	B	0700101/UP	F	Tec. HMSK100-159102K	10.0	32"	Two Stage w/Diff.
4021	B	0200101/UP	E	Tec. HSSK40-55558J	4.0	21"	Two Stage w/Auger Drive
5210	B	0200101/UP	E	Tec. HSSK50-67257F	5.0	21"	Two Stage
1989							
322	B	0300101/UP	C	B & S 62037-0651	3.0	21"	2-cycle, Auger Drive
624	B	0300101/UP	F	Tec. HSK60-75493U	6.0	24"	Two Stage
824	B	0700101/UP	F	Tec. HMSK80-155022L	8.0	24"	Two Stage w/Diff.
824A	B	0200101/UP	F	Tec. HMSK80-155282L	8.0	24"	Two Stage w/Diff. & Alternator
824D	B	0100101/UP	F	Tec. HMSK80-155022L	8.0	24"	Two Stage w/Diff.
1026	B	0600101/UP	F	Tec. HMSK100-159102K	10.0	26"	Two Stage w/Diff. & Alternator
1032	B	0800101/UP	F	Tec. HMSK100-159102K	10.0	32"	Two Stage w/Diff. & Alternator
1032D	B	0100101/UP	F	Tec. HMSK100-159102K	10.0	32"	Two Stage w/Diff. & Alternator

* B - Bolens
TB Troy Bitt

** Illustrations see Section 6-1 page 1 & 2

SNOWTHROWER MODELS AND SPECIFICATIONS (CONT'D)

SKU/ MODEL	*	SERIAL NUMBER	**	ENGINE MODEL & TYPE	HP	WIDTH	REMARKS
1989 CONT'D							
4021	B	0300101/UP	E	Tec. HSSK40-55558J	4.0	21"	Two Stage w/Auger Drive
5210	B	0300101/UP	E	Tec. HSSK50-67257F	5.0	21"	Two Stage
1990							
322	B	0300101/UP	C	B & S 62037-0651	3.0	21"	2-cycle, Auger Drive
824	B	0800101/UP	F	Tec. HMSK80-155022L	8.0	24"	Two Stage w/Diff.
824A	B	0300101/UP	F	Tec. HMSK80-155282L	8.0	24"	Two Stage w/Diff. & Alternator
824D	B	0100101/UP	F	Tec. HMSK80-155022L	8.0	24"	Two Stage w/Diff.
826R	TB	B250100101/UP	F	Tec. HMSK80-155282L	8.0	26"	Two Stage w/Diff. & Alternator
1026	B	420030700101/UP	F	Tec. HMSK100-159102K	10.0	26"	Two Stage w/Diff. & Alternator
1032	B	0900101/UP	F	Tec. HMSK100-159102K	10.0	32"	Two Stage w/Diff. & Alternator
1032D	B	0200101/UP	F	Tec. HMSK100-159102K	10.0	32"	Two Stage w/Diff.
1032R	TB	B260100101/UP	F	Tec. HMSK100-159102K	10.0	32"	Two Stage w/Diff. & Alternator
4021	B	0300101/UP	E	Tec. HSSK40-55558J	4.0	21"	Two Stage w/Auger Drive
5210	B	0300101/UP	E	Tec. HSSK50-67257F	5.0	21"	Two Stage
5210R	TB	B270100101/UP	E	Tec. HSSK50-67257F	5.0	21"	Two Stage
5210RS	TB	B350100101/UP	E	Tec. HSSK50-67257F	5.0	21"	Two Stage-Sears
1991							
322	B	0300101/UP	C	B & S 62037-0651	3.0	21"	2-cycle, Auger Drive
824	B	0800101/UP	F	Tec. HMSK80-155022L	8.0	24"	Two Stage w/Diff.
824A	B	420040300101/UP	F	Tec. HMSK80-155282L	8.0	24"	Two Stage w/Diff. & Alternator
826R	TB	B2500100101/UP	F	Tec. HMSK80-155282L	8.0	26"	Two Stage w/Diff. & Alternator
1026	B	420030700101/UP	F	Tec. HMSK100-159102K	10.0	26"	Two Stage w/Diff. & Alternator
1032	B	0900101/UP	F	Tec. HMSK100-159102K	10.0	32"	Two Stage w/Diff. & Alternator
4021	B	0300101/UP	E	Tec. HSSK40-55558J	4.0	21"	Two Stage w/Auger Drive
5210	B	0400101/UP	E	Tec. HSSK50-67257F	5.0	21"	Two Stage
5210	B	42020100101/UP	E	Tec. HSSK50-67257F	5.0	21"	Two Stage
5210R	TB	B270100101/UP	E	Tec. HSSK50-67257F	5.0	21"	Two Stage
5210RS	TB	B350100101/UP	E	Tec. HSSK50-67257F	5.0	21"	Two Stage
1992							
824A	B	420040300101/UP	F	Tec. HMSK80-155282L	8.0	24"	Two Stage w/Diff. & Alternator
1026	B	420030700101/UP	F	Tec. HMSK100-159102K	10.0	26"	Two Stage w/Diff. & Alternator
5210	B	420020100101/UP	E	Tec. HSSK50-67257F	5.0	21"	Two Stage
42000	B	B570100101/UP	E	Tec. HSSK50-67323K	5.0	21"	Two Stage
1993							
824A	B	420040300101/UP	F	Tec. HMSK80-155282L	8.0	24"	Two Stage w/Diff. & Alternator
1026	B	420030800101/UP	F	Tec. HMSK100-159102K	10.0	26"	Two Stage w/Diff. & Alternator
5210	B	420020100101/UP	E	Tec. HSSK50-67323L	5.0	21"	Two Stage
42000	TB	B570100101/UP	E	Tec. HS50-67323K	5.0	21"	Two Stage
1994							
824A	B	420040300101/UP	F	Tec. HMSK80-155282L	8.0	24"	Two Stage w/Diff. & Alternator
1026	B	420030800101/UP	F	Tec. HMSK100-159102K	10.0	26"	Two Stage w/Diff. & Alternator
5210	B	420020100101/UP	E	Tec. HSSK50-67323L	5.0	21"	Two Stage
42000	TB	420000100101/UP	E	Tec. HS50-67323K	5.0	21"	Two Stage
42010	TB	420100100101/UP	F	Tec. HMSK80-15528SL	8.0	24"	Two Stage, Two Speed Rev.
42012	TB	420120100101/UP	F	Tec. HMSK100-159102K	10.0	26"	Two Stage, Two Speed Rev.
1995							
42000	TB	420000100101/UP	E	Tec. HS50-67323K	5.0	21"	Two Stage
42010	TB	420100100101/UP	F	Tec. HMSK80-15528SL	8.0	24"	Two Stage, Two Speed Rev.
42012	TB	420120100101/UP	F	Tec. HMSK100-159102K	10.0	26"	Two Stage, Two Speed Rev.
42013	TB	420130100101/UP	G	Tec. HSSK40-55610S	4.0	21"	Two Stage, W/Auger Drive
42016	B	420160100101/UP	F	Tec HMSK80-15528SL	8.0	24"	Two Stage, Two Speed Rev.
42017	B	420170100101/up	F	Tec HMSK100-159102K	10.0	26"	Two Stage, Two Speed Rev.

* B - Bolens
TB - Troy Bilt

** Illustrations see Section 6-1 page 1 & 2

SNOWTHROWER MODELS AND SPECIFICATIONS (CONT'D)

SKU/ MODEL	*	SERIAL NUMBER	**	ENGINE MODEL & TYPE	HP	WIDTH	REMARKS
1996							
42000	TB	420000100101/UP	E	Tec HS50-67323K	5.0	21"	Two Stage
42010	TB	420100200101/UP	F	Tec HMSK 80 - 155550T	8.0	24"	Two Stage, Two Speed Drive
42012	TB	420120200101/UP	F	Tec HMSK100-159297U	10.0	26"	Two Stage, Two Speed Drive
42013	TB	420130100101/UP	G	Tec HSSK40-556105	4.0	21"	Two Stage W/Auger Drive
42016	B	420160100101/UP	F	Tec HMSK 80 - 1592970	8.0	24"	Two Stage, Two Speed Rev.
47017	B	420170100101/UP	F	Tec HMSK100-155550T	10.0	26"	Two Stage, Two Speed Rev.
1997							
42000	TB	420000100101/UP	E	Tec HS50-67323K	5.0	21"	Two Stage
42010	TB	420100100101/up	F	Tec HMSK80-155550T	8.0	24"	Two Stage, Two Speed Rev.
42012	TB	420120100101/up	F	Tec HMSK100- 159297U	10.0	26"	Two Stage, Two Speed Rev.
42013	TB	420130100101/up	G	Tec HSSK40-556105	4.0	21"	Two Stage, W/Auger Drive
42016	B	420160100101/up	F	Tec HMSK80-155550T	8.0	24"	Two Stage, Two Speed Rev.
42017	B	420170100101/up	F	Tec HMSK100-159297U	10.0	26"	Two Stage, Two Speed Rev.
1998							
42000	TB	420000100101/UP	E	Tec HS50-67323K	5.0	21"	Two Stage
42010	TB	420100100101/up	F	Tec HMSK80-155550T	8.0	24"	Two Stage, Two Speed Rev.
42012	TB	420120100101/up	F	Tec HMSK100- 159297U	10.0	26"	Two Stage, Two Speed Rev.
42013	TB	420130100101/up	G	Tec HSSK40-55610V	4.0	21"	Two Stage, W/Auger Drive
42016	B	420160100101/up	F	Tec HMSK80-155550T	8.0	24"	Two Stage, Two Speed Rev.
42017	B	420170100101/up	F	Tec HMSK100-159297U	10.0	26"	Two Stage, Two Speed Rev.
42020	T/B	420200100101/up	H	Tec HSK600-1683T	3.0	17"	Single Stage, 2 cycle, W/Auger Drive
42021	T/B	420210100101/up	H	Tec HSK600-1701T	3.0	17"	Single Stage, 2 cycle, W/Auger Drive
42027	T/B	420271100101/up	E	Tec HSK60-76005C	6.0	21"	Two Stage
42028	B	420280100101/up	E	Tec HSSK50-67323S	5.0	21"	Two Stage
42029	B	420290100101/up	E	Tec HSK60-76005A	6.0	21"	Two Stage
1999							
42010	TB	420100100101/up	F	Tec HMSK80-155550V	8.0	24"	Two Stage, Two Speed Rev.
42012	TB	420120100101/up	F	Tec HMSK100-159297W	10.0	26"	Two Stage, Two Speed Rev.
42013	TB	420130100101/up	G	Tec HSSK40-55610V	4.0	21"	Two Stage, W/Auger Drive
42016	B	420160100101/up	F	Tec HMSK80-155550V	8.0	24"	Two Stage, Two Speed Rev.
42017	B	420170100101/up	F	Tec HMSK100-159297W	10.0	26"	Two Stage, Two Speed Rev.
42020	T/B	420200100101/up	H	Tec HSK600-1683T	3.0	17"	Single Stage, 2 cycle, W/Auger Drive
42027	T/B	420271100101/up	E	Tec HSK60-76005C	6.0	21"	Two Stage
42030	B	420300100101/up	F	Tec HMSK80-155550V	8.0	24"	Two Stage, Two Speed Rev.
42031	B	420310100101/up	F	Tec HMSK100-159297W	10.0	26"	Two Stage, Two Speed Rev.
42033	TB	420330100101/up	F	Tec HMSK100- 159297W	10.0	30"	2-Stage, 2-Speed Rev., No Differential
42034	TB	420340100101/up	F	Tec HMSK100- 159297W	8.0	26"	2-Stage, 2-Speed Rev., No Differential
42035	T/B	420351100101/up	E	Tec HSK60-76005C	6.0	24"	2-Stage, 2-Speed Rev., No Differential
42036	TB	420360100101/up	F	Tec HMSK130-223816W	13.0	32"	2-Stage, 2-Speed Rev., No Differential
42039	TB	420390100101/up	F	Tec HMSK100- 159297W	8.0	26"	Two Stage, Two Speed Rev.
42040	TB	420400100101/up	F	Tec HMSK100- 159297W	10.0	30"	Two Stage, Two Speed Rev.
42041	TB	420410100101/up	F	Tec HMSK130-223816W	13.0	32"	Two Stage, Two Speed Rev.
2000							
42010	TB	420100100101/up	F	Tec HMSK80-155550V	8.0	24"	Two Stage, Two Speed Rev.
42012	TB	420120100101/up	F	Tec HMSK100-159297W	10.0	26"	Two Stage, Two Speed Rev.
42016	B	420160100101/up	F	Tec HMSK80-155550V	8.0	24"	Two Stage, Two Speed Rev.
42017	B	420170100101/up	F	Tec HMSK100-159297W	10.0	26"	Two Stage, Two Speed Rev.
42027	T/B	420271100101/up	E	Tec HSK60-76005C	6.0	21"	Two Stage

* B - Bolens
TB - Troy-Bilt

** Illustrations see Section 6-1 page 1 & 2

SNOWTHROWER MODELS AND SPECIFICATIONS (CONT'D)

SKU/ MODEL	*	SERIAL NUMBER	**	ENGINE MODEL & TYPE	HP	WIDTH	REMARKS
2000							
Cont'd							
42030	B	420300100101/up	F	Tec HMSK80-155550V	8.0	24"	Two Stage, Two Speed Rev.
42031	B	420310100101/up	F	Tec HMSK100-159297W	10.0	26"	Two Stage, Two Speed Rev.
42033	TB	420330100101/up	F	Tec HMSK100- 159297W	10.0	30"	2-Stage, 2-Speed Rev., No Differenti
42034	TB	420340100101/up	F	Tec HMSK100- 159297W	8.0	26"	2-Stage, 2-Speed Rev., No Differenti
42035	T/B	420351100101/up	E	Tec HSK60-76005C	6.0	24"	2-Stage, 2-Speed Rev., No Differenti
42036	TB	420360100101/up	F	Tec HMSK130-223816W	13.0	32"	2-Stage, 2-Speed Rev., No Differenti
42037	B	420371100101/up	F	Tec HMSK80-155550V	8.0	26"	2-Stage, 2-Speed Rev., No Differenti
42038	B	420381100101/up	F	Tec HMSK100-159441W	10.0	30"	2-Stage, 2-Speed Rev., No Differenti
42039	TB	420390100101/up	F	Tec HMSK100- 159297W	8.0	26"	Two Stage, Two Speed Rev.
42040	TB	420400100101/up	F	Tec HMSK100- 159297W	10.0	30"	Two Stage, Two Speed Rev.
42041	TB	420410100101/up	F	Tec HMSK130-223816W	13.0	32"	Two Stage, Two Speed Rev.
2001							
42044	B	420440100101/up	F	Tec.HMSK100-159297W	8.0	26"	Two Stage, Two Speed Rev.
42045	B	420450100101/up	F	Tec.HMSK100-159297W	10.0	30"	Two Stage, Two Speed Rev.
42046	TB	420460100101/up	E	B&S 120412-0124-E1	6.5	24"	Two Stage, One Rev.
42047	TB	420470100101/up	F	Tec.HMSK100-159297W	8.0	26"	Two Stage, Two Speed Rev.
42048	TB	420480100101/up	F	Tec.HMSK100-159297W	10.0	30"	Two Stage, Two Speed Rev.
42049	TB	420490100101/up	F	Tec.HMSK130-223816W	13.0	32"	Two Stage, Two Speed Rev."
42050	TB	420500100101/up	E	B&S 120494-0110-E1	7.5	24"	Two Stage, One Rev.

* B - Bolens
TB - Troy-Bilt

** Illustrations see Section 6-1 page 1 & 2

**SNOWTHROWER ENGINE RPM
FULL THROTTLE (NO LOAD)**

MINI		MID FRAME TWO STAGE		LARGE FRAME TWO STAGE	
H.P.	RPM	H.P.	RPM	H.P.	RPM
2.25 (1)	4300	4.0	3600	5.0	3600
3.0 (1)	4500	5.0	3600	6.0	3600
3.5	3500			7.0	3550
5.0	3600			8.0	3600
				10.0	3600

(1) - 2 Cycle

SNOWTHROWER ATTACHMENT INTERCHANGEABILITY*
(1970 to Present)

DESCRIPTION	MODEL	ACCESS NO.	55, 75	225-01-02, 225E-01-02	350-01, 350E-01	500-01, 500E-01	1524-01, 624, 625, 724	524-04 & Later	726	824, 824A, 824B	826-01-02-03-04	826-05 & Later, 826B	826R, 42010, 42012	832	1026, 824	1032-01-02	1032-03 & Later, 1032B	42010, 42012, 42016, 42017, 42030, 42031, 42033, 42034, 42036, 42037, 42038, 42039	42040, 42041, 42044, 42045, 42047, 42048, 42049	5210, 4021, 42000, 42013	42027, 42028, 42029, 42046, 42050
Blizzard Pack	6812 (Nla) 6813 (Nla) 6814 (Nla) 6933 (Nla) 42501 (Nla)								X		X							X			
Cab (4)	6930 (Nla) 6931R(Nla) 6932 (Nla) 42500					(8)	X	X	X	(8)	X	X	X	X	(8)	X		(8)			
Clutch Kit-Impeller		1742020 (Nla)	X	X	X																
Light Kit Assy.	16009	1918428								(10)	(10)							(10)			(14)
Slicer Bar Kit (2 of 1720887001)	10771	1720887	X				X	X	X	X	X	X	X	X	X	X		X			X
Starter Kit-110 Volt	6848 6857 15036 (Nla) B6878 (Nla)	1725328 (Nla) 1725329 1728840 1918429				X		X			X	X	X	X	X	X		X			(12)
12 Volt Starter Kit/Light Kit	16008 (Nla) 42502 (Nla)		X					X													(13)
Tire Chains (F/4.10/3.50x4)	6948 (Nla) 6916	1750823 1756276 1756277 1756278																			(2)
(F/4.80/4.00x8)	16214 (Nla)					(6)				(6)	(6)	(6)	(6)	(6)				X			(
(F/16/6.50x8)	6919 (Nla) 16050 (Nla)	1756279 1756279								X	X	X	X	X				(6)			X
(F/4.10-6)		1725381																			X (12)

- * - NOTE: Check for availability. Nla - No longer available
- 1 - Use adapter kit 1742843 when mounting cab to 524-08, 724-03 & 826-05. New cabs have adapter kit included with cab.
- 2 - Model 5210 AND 42000 only.
- 3 - Does not include Tire Chains.
- 4 - Changed color to Dark Green in 1989.
- 5 - 824A-02, 1026-06 & 1032-08.
- 6 - For Carlisle "Snow Hog" Tires.
- 7 - Models 824A-04, 1026-07, 08 & 1032-09 and later large frame models.
- 8 - Does not fit models 624-04, 824-08, 824A-03, 1026-07 & 1032-09 or later models.
- 9 - Models 624-04, 824-08, 824A-03, 1026-07, 1032-09 or later models with new style handles.
- 10 - Models with alternator.
- 11 - Red in color.
- 12 - 42027, 42029, 42035 6HP & 42046 6.5 HP Engines
- 14 - Model 42050 7.5 HP.
- 13 - Model 42046 6.5 HP.



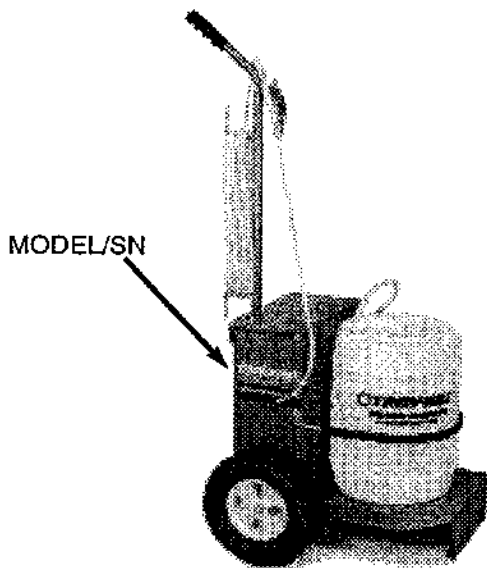
SPRAYERS, WASHERS & GENERATORS

TYPE	CHAPTER	SECTION	PAGE
SPRAYERS Identification.....	7	1	1
Models, Specifications & Accessories.....	7	1	1-2
Attachments.....	7	1	2
WASHERS & GENERATORS Identification	7	2	1-2
Models and Specifications	7	3	1-2
Attachments..(Washers).....	7	3	1



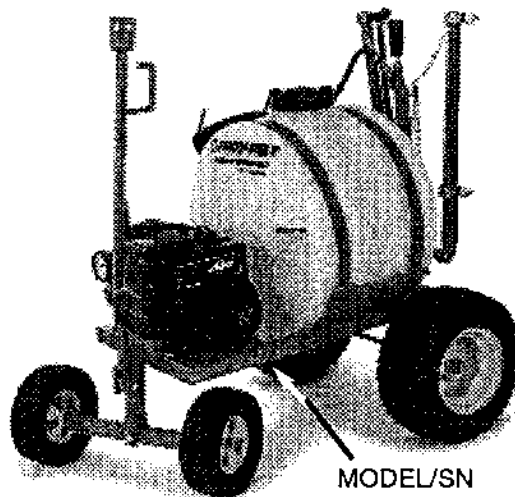
SPRAYER IDENTIFICATION
TROY-BILT

5 GALLON ELECTRIC (A)



(Attachments - Section 1 Page 2)

25 GALLON GAS (B)



(Attachments - Section 1 Page 2)



SPRAYER MODELS AND SPECIFICATIONS

SKU/Model	Serial No.	*	Engine Model & Type	H.P.	Gallon	Remarks
<u>1986 - 1987</u>						
<u>Sprayer</u>						
11336	78763-204012	A	Electric (12 volt battery)		5	Spot Shot Brand
<u>Sprayer I</u>						
10794	S002082/Up	A	Electric (12 volt battery)		5	GW Brand
15025	S007569/Up	A	Electric (12 volt battery)		5	GW Brand - Shur Flow Pump
<u>1988</u>						
<u>Sprayer I</u>						
10794	S002082/Up	A	Electric (12 volt battery)		5	GW Brand
15025	S007569/Up	A	Electric (12 volt battery)		5	GW Brand - Shur Flow Pump
11356	W0001000/Up	B	B & S	3	25	WW Brand - Incl. options
11385	W0001000/Up	B	B & S	3	25	GW Brand
<u>Sprayer II</u>						
11371	W0001000/Up	B	B & S	3	25	GW Brand

*See Above

SPRAYER MODELS AND SPECIFICATIONS (CONT'D)

SKU/ Model	Serial Number	**	Engine Model & Type	H.P.	Gallon	Remarks
1989						
Sprayer I						
10794	Up to S007030	A	Electric (12 volt battery)		5	GW Brand
15025	Up to S007569	A	Electric (12 volt battery)		5	GW Brand - Shur Flow Pump
11356	Up to W0001486	B	B & S	3	25	WW Brand - Incl. Options
11385	Up to W0001486	B	B & S	3	25	GW Brand
Sprayer II						
11371	Up to W0001486	B	B & S	3	25	GW Brand
15032	S007570/Up	A	Electric		5	TB Brand-i2 Volt Battery
Sprayer III						
15001	W1001487 - W1002245	B	B & S	3	25	WW Brand - Incl. Options
Sprayer IV						
15030	W002246/Up	B	B & S	3	25	TB Brand
1990 - 1995						
15030	W002246/Up	B	B & S	3	25	
15032	150320100101/UP	A	Electric		5	12 Volt Battery
1996						
15032	15032020010I/UP	A	Electric		5	2 Speed - 12 Volt Battery

I - Industrial Plus

** See Section 1 Page 1

SPRAYER ATTACHMENT INTERCHANGEABILITY*

Description	SKU Accessory No.	Sprayer Model							
		I		II		III	IV	15030 41006	15032
		Electric	Gas	Electric	Gas	Gas	Gas	Gas	Electric
Spray Boom - 4 Nozzle	15031		X		X	X	X		
- 6 Nozzle	41502(1)		X		X	X	X	X	
- 4 Nozzle	41503(2)		X		X	X	X	X	
Tank - 5 Gal.	15033	X		X					X

***NOTE: Check for availability.**

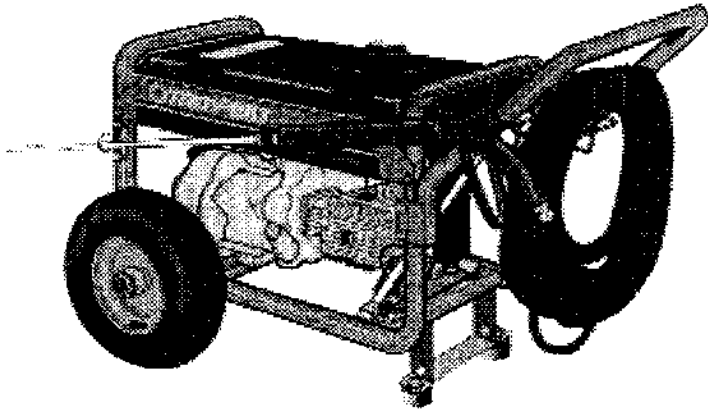
1 - Part Number 1987030

2 - Part Number 1986970



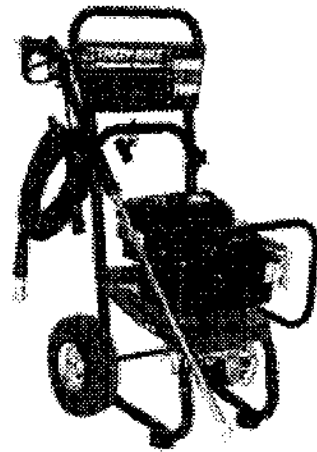
GENERATOR AND WASHER IDENTIFICATION TROY BILT

WASHER (A)



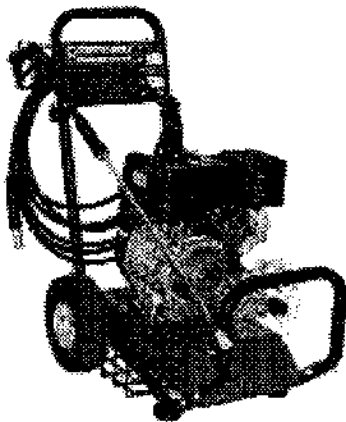
ATTACHMENTS Section 3 Page 1

WASHER (B)



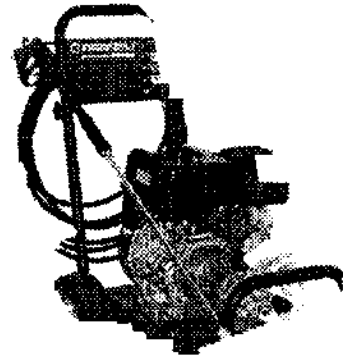
ATTACHMENTS Section 3 Page 1

WASHER (C)



ATTACHMENTS Section 3 Page 1

WASHER (D)

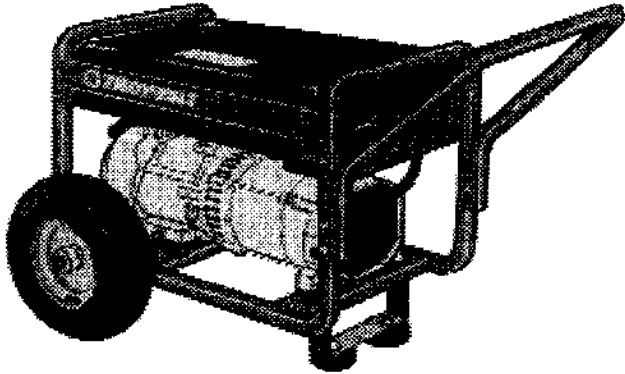


ATTACHMENTS Section 3 Page 1



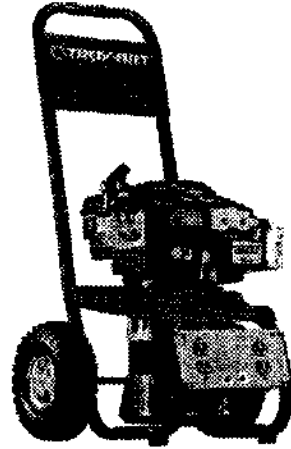
GENERATOR AND WASHER IDENTIFICATION

GENERATOR (E)



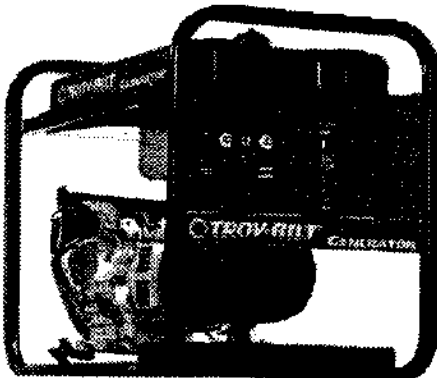
No Attachments Available

GENERATOR (F)



No Attachments Available

GENERATOR (G)



No Attachments Available

7**WASHER MODELS AND SPECIFICATIONS**

SKU/MODEL	Serial No.	*	Engine Model & Type	H.P.	Remarks
1994 - 1995					
41050	410500100101/UP	A	Generac GN 190	6.5	2200PSI -Generac Mfr.
41050	410500200101/UP	A	Generac GN 191	6.5	2200PSI -Generac Mfr.
2000					
41056	410561100101/UP	B	B&S 121612-0189-E1	6.0	2500PSI
41057	410571100101/UP	C	B&S 138432-0035-E1	7.8	3000PSI
41058	410581100101/UP	D	B&S 245432-0235-E1	13.0	3500PSI

* Illustrations see Section 2 Page 1

Attachments for POWER WASHERS

Description	SKU/ Accessory No.	41050	41056	41057	41058	Remarks
Deck & Siding Brush	41558		X	X	X	
Multi-Purpose Brush	41557		X	X	X	
Vehicle Brush	41559		X	X	X	
Degreaser	1917762	X	X	X	X	
50" Extension Hose	1917763		X	X	X	
Extension Wand	1917757		X	X	X	
Car & Boat Wash	1917759	X	X	X	X	
Rotating "Deep Cleaning Wash"	1917758	X	X	X	X	
Siding & Boat Wash	1917761	X	X	X	X	

GENERATOR MODELS AND SPECIFICATIONS

SKU/MODEL	Serial No.	*	Engine Model & Type	H.P.	Remarks
1994 - 1995					
52400	524000100101/UP	E	Generac GN 190	7.8	4000Watt Generac Mfr.
52401	524010100101/UP	E	Generac GN 190	13.0	6000Watt Generac Mfr.
2000					
52404	524041100101/UP	F	B&S 120612-0133-E2	6.5	3600WATT
52405	524051100101/UP	G	B&S 185432-0242-E1	9.0	6000WATT

* Illustrations see Section 2 Page 2

Attachments for GENERATORS

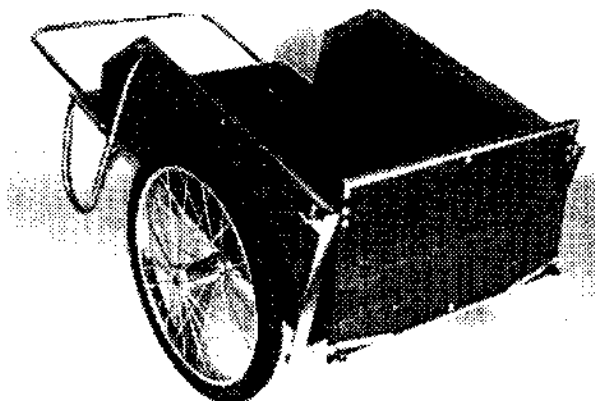
NONE AVAILABLE AT THIS TIME

MISCELLANEOUS PRODUCTS

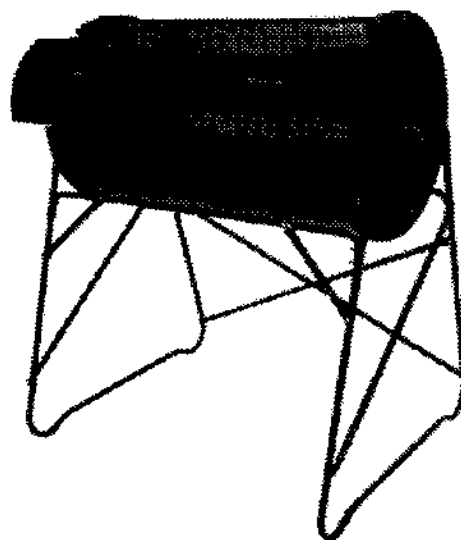
TYPE	CHAPTER SECTION PAGE
<u>MISCELLANEOUS PRODUCTS</u> Identification	
Greenhouses,Composter & Carts	8 1 1

SPRAYER IDENTIFICATION
TROY-BILT

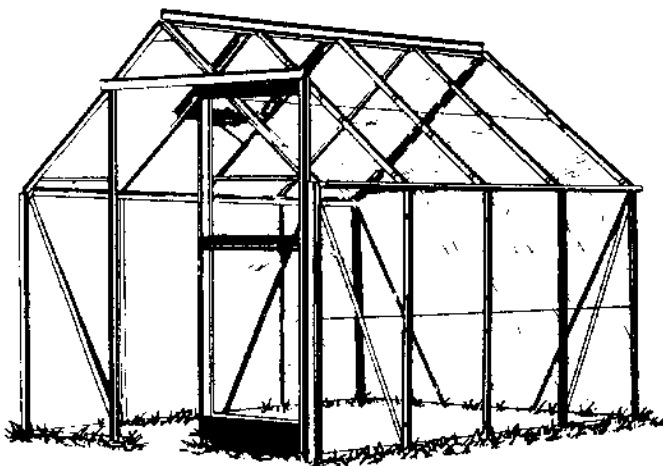
Carts



E-Z SPIN® Composter



ELITE® Greenhouse



(Attachments - Below)

(Attachments - Below)

MISCELLANEOUS PRODUCT MODELS AND SPECIFICATIONS*

SKU/Model	Description	Accessory No.	Remarks
52201	Model 26 Cart (13 bushel)		
52204	Model 20 Cart (5 bushel)		
54000	E-Z Spin Composter	10981	Thermometer
11450	Elite Greenhouse (8'x6')	11468	Vent Opener
15000	Elite Greenhouse (12'x8')	1900337	Rain Water Kit
		1900338	Louver Window
		1900339	Window Opener - Automatic
		1900340	Std. Alloy Base - 8'x6'
		1900341	DLX Alloy Base - 8'x12'
		1900342	Alloy Shelf Unit
		1900343	Dbi. Stage Table

NOTE: Check for availability.

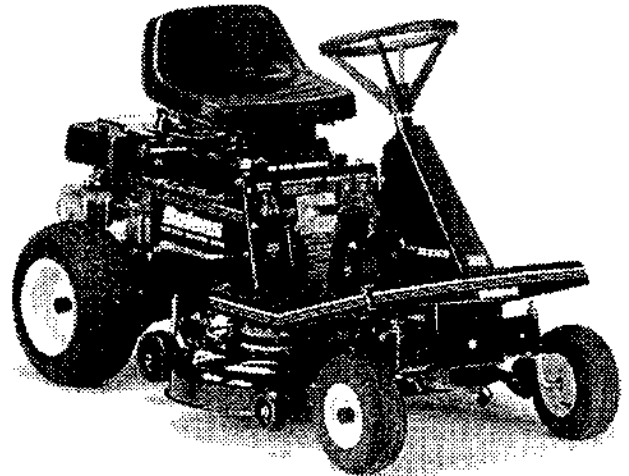
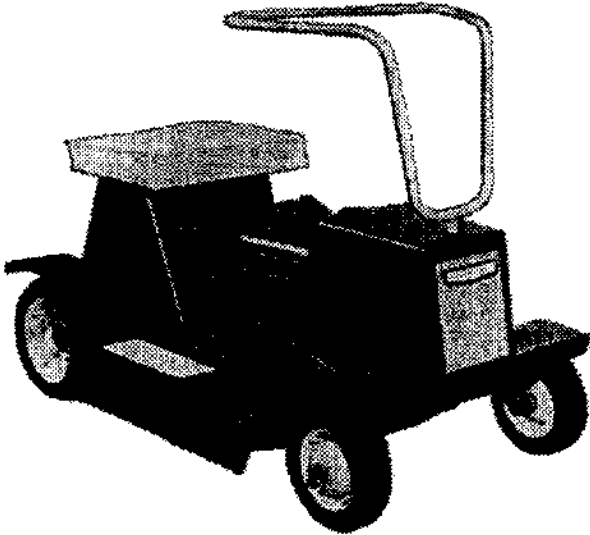
TYPE	CHAPTER	SECTION	PAGE
<u>RIDING MOWERS AND FRAME STEER</u>	Identification	9	1 1
Models & Specifications		9	2 1-5
Attachments		9	3 1-2
Riding Mower Spindle Assemblies & Belt Replacement		9	4 1-3
Rear/Frame Steer Steering Adjustment		9	4 4

RIDING MOWERS AND FRAME STEER

RIDING MOWER IDENTIFICATION

Mid Engine (A)

Rear Engine (B)

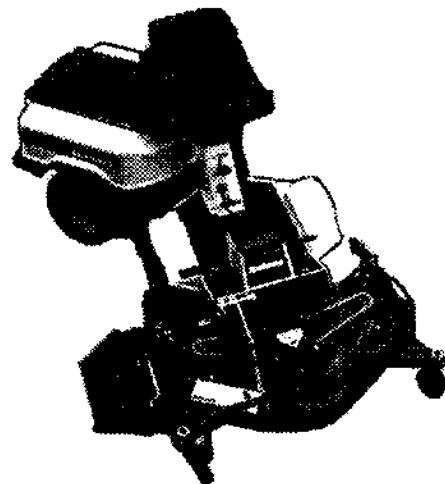
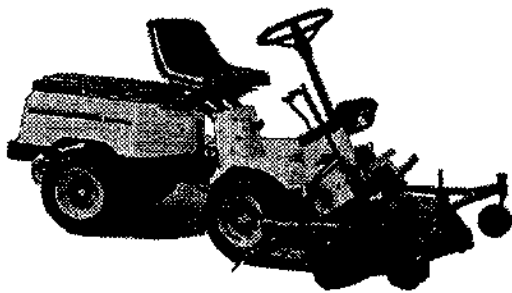


(Attachments - None)

(Attachments - Section 3 Page 1)

Rear Steer (C)

Frame Steer (D)



(Attachments - Section 3 Page 2)

(Attachments - Section 3 Page 2)

RIDING MOWER MODELS AND SPECIFICATIONS

BOLENS

SKU/ MODEL	*	SERIAL NUMBER	**	ENGINE MODEL & TYPE	HP	WIDTH	SIDE DISCH.	Mulch	ELEC. START	REMARKS
1958										(1)
6421	B	NA	A	La. V30H-1-286P	3.0	24"	X			
6424	B	NA	A	La. V30G-1-71P	3.0	24"	X			
6466	B	NA	A	Cl. VS1100-138	3.5	24"	X			
6467	B	NA	A	La. VX40-1-75	4.0	26"	X			
1959										(1)
6421	B	NA	A	La. V30H-1-286P	3.0	24"	X			
6428	B	NA	A	La. V30H-1-286P	3.0	24"	X			
7425	B	NA	A	La. V30H-1-279P	3.0	24"	X			
7467	B	NA	A	La. VX55-1-306	5.5	26"	X			
1960										(1)
1240	B	NA	A	La. V30H-1-286P	3.0	24"	X			
6032	B	NA	A	La. LV25A-1007	3.5	24"	X			
6428	B	NA	A	La. V30H-1286P	3.0	24"	X			
8424	B	NA	A	Cl. FV3100-1103	3.5	24"	X			
8426	B	NA	A	Cl. V1200-1157	4.5	26"	X			
8436	B	NA	A	La. V55B-1089	5.5	36"	X			
9240	B	NA	A	B & S 81702-944608	3.0	24"	X			
1961										(1)
610	B	NA	A	La.	3.0	24"	X			
1268	B	NA	A	La. V45B-1114P	4.5	26"	X			
8524	B	NA	A	Cl. FV3100-1114	3.5	24"	X			
8526	B	NA	A	Cl. V1200-1157	4.5	26"	X			
8536	B	NA	A	La. V55B-1089	5.5	36"	X			
8640	B	NA	A	La. LV35	3.5	24"	X			
1962										(1)
8624	B	NA	A	La. LV35L3124P	3.5	24"	X			
8626	B	NA	A	La. V45A-3124P	4.5	26"	X			
1963										(1)
8724-01	B	NA	A	B & S 100902-0154	4.0	24"	X			
8726-01	B	NA	A	B & S 140702-0125	5.0	26"	X			
1964										(1)
8724-02	B	NA	A	B & S 100902-0154	4.0	24"	X			
8726-02	B	NA	A	B & S 140702-0125	5.0	26"	X			
1965										(1)
8724-03	B	NA	A	B & S 100902-0154	4.0	24"	X			
8726-03	B	NA	A	B & S 140702-0125	5.0	26"	X			
1966										(1)
8725-01	B	NA	A	B & S 100902-0154	4.0	24"	X			
8727-01	B	NA	A	B & S 144702-0122	5.0	26"	X			
1967										(1)
8725-01	B	NA	A	B & S 100902-0154	4.0	24"	X			
8727-01	B	NA	A	B & S 144702-0122	5.0	26"	X			
1968										(1)
8725-01	B	NA	A	B & S 100902-0154	4.0	24"	X			
8728-01	B	NA	A	B & S 130902-0195	5.0	26"	X			
1969										(1)
8725-01	B	NA	A	B & S 100902-0154	4.0	24"	X			
8728-01	B	NA	A	B & S 130902-0195	5.0	26"	X			
1970 - 71										
None Built										
1972										(2)
728-01	B	NA	B	Tec. V70-125172	7.0	28"	X		OPT.	
1973										(2)
728-02	B	0200101/UP	B	Tec. V70-125172	7.0	28"	X		OPT.	
1974										(2)
828-01	B	0100101/UP	B	Tec. VM80-150051	8.0	28"	X			
829-01	B	0100101/UP	B	Tec. VM80-150037A	8.0	28"	X		X	

* B - Bolens

** Illustrations See Section 1 page 1
More Footnotes Section 2 Page 5

NA - Not Applicable



RIDING MOWER MODELS AND SPECIFICATIONS (CONT'D)

BOLENS

SKU/ MODEL	*	SERIAL NUMBER	**	ENGINE MODEL & TYPE	HP	WIDTH	SIDE DISCH.	Mulch	ELEC. START	REMARKS
1975 828-01 829-01	B B	0100101/UP 0100101/UP	B B	Tec. VM80-150051 Tec. VM80-150037A	8.0 8.0	28" 28"	X X		X	(2)
1976 828 829 829E	B B B B	0200101/UP 0100101/UP 0200101/UP 0100101/UP	B B B B	Tec. VM80-150051 Tec. VM80-150037A Tec. VM80-150037A Tec. VM80-150037A	8.0 8.0 8.0 8.0	28" 28" 28" 28"	X X X X	X X X		(2)
1977 828 829 829E	B B B	0200101/UP 0200101/UP 0200101/UP	B B B	Tec. VM80-150051C, D Tec. VM80-150037D Tec. VM80-150037D	8.0 8.0 8.0	28" 28" 28"	X X X	X X		(2)
1978 828 829 829 829E	B B B B	0300101/UP 0200101/UP 0300101/UP 0300101/UP	B B B B	B & S 190702-1150-01 Tec. VM80-150037D B & S 190705-1154-01 B & S 190705-1154-01	8.0 8.0 8.0 8.0	28" 28" 28" 28"	X X X X	X X		(2)
1979 528 830 830GT 831	B B B B B	0200101/UP 0200101/UP 0300101/UP 0100101/UP 0200101/UP	B B B B B	B & S 130902-0606 B & S 190702-1174 B & S 190702-1174 B & S 190702-1174 B & S 190707-1166	5.0 8.0 8.0 8.0 8.0	28" 30" 30" 30" 30"	X X X X X	X		(2)
1980 528 830 830-GT 831	B B B B B	0300101/UP 0300101/UP 0400101/UP 0100101/UP 0400101/UP	B B B B B	B & S 130902-0606 B & S 190702-1174 B & S 190702-1183 B & S 190702-1174 B & S 190707-1182	5.0 8.0 8.0 8.0 8.0	28" 30" 30" 30" 30"	X X X X X	X		(2)
1981 628 330 830EX 831 940 (FS11) 1134 1134EX	B B B B B B B B	0100101/UP 0400101/UP 0500101/UP 0100101/UP 0400101/UP 0500101/UP 0100101/UP 0100101/UP 0100101/UP	B B B B B B D B B	Tec. TVM140-70368K B & S 190702-1183 B & S 190702-1183 B & S 190702-1183 B & S 190707-1182 B & S 190707-1182 B & S 252707-0197 B & S 252707-0225 B & S 252707-0225	6.0 8.0 8.0 8.0 8.0 8.0 11.0 11.0 11.0	28" 30" 30" 30" 30" 30" 40" 34" 34"	X X X X X X X X X	X X X X	Rear Disch	(2)
1982 628 830 830EX 831 831EX 942 (FS11) 1134	B B B B B B B	0100101/UP 0600101/UP 0200101/UP 0600101/UP 0100101/UP 0100101/UP 0200101/UP	B B B B B D B	Tec. TVM140-70368K B & S 190702-1183 B & S 190702-1183 B & S 190707-1182 B & S 190707-1182 B & S 252707-0229 B & S 252707-0225	6.0 8.0 8.0 8.0 8.0 11.0 11.0	28" 30" 30" 30" 30" 42" 34"	X X X X X X X	X X X		(2)
1983 628EX 830 830EX 831 831EX 942 (FS11) 1134	B B B B B B B	0100101/UP 0700101/UP 0300101/UP 0700101/UP 0300101/UP 0200101/UP 0300101/UP	B B B B B D B	Tec. TVM140-70368K B & S 190702-2142 B & S 190702-2142 B & S 190707-2141 B & S 190707-2141 B & S 252707-0229 B & S 252707-0225	6.0 8.0 8.0 8.0 8.0 11.0 11.0	28" 30" 30" 30" 30" 42" 34"	X X X X X X X	X X		(2)

* B - Bolens

** Illustrations See Section 1 page 1
More Footnotes Section 2 Page 5

NA - Not Applicable

RIDING MOWER MODELS AND SPECIFICATIONS (CONT'D)

BOLENS

SKU/ MODEL	*	SERIAL NUMBER	**	ENGINE MODEL & TYPE	HP	WIDTH	SIDE DISCH.	Mulch	ELEC: START	REMARKS
1984										(2)
628EX	B	0200101/UP	B	Tec. TVM140-70368K	6.0	28"	X			
830	B	0700101/UP	B	B & S 190702-1183	8.0	30"	X			
830A	B	0100101/UP	B	B & S 190702-1183	8.0	30"	X			
830EX	B	0400101/UP	B	B & S 190702-1183	8.0	30"	X			
831	B	0700101/UP	B	B & S 190707-1182	8.0	30"	X		X	
831EX	B	0400101/UP	B	B & S 190707-1182	8.0	30"	X		X	
942 (FS11)	B	0300101/UP	D	B & S 252707-0229	11.0	42"	X		X	
1134	B	0400101/UP	B	B & S 252707-0225	11.0	34"	X		X	
1136	B	0100101/UP	B	B & S 252707-0647	11.0	36"	X		X	
1136EX	B	0100101/UP	B	B & S 252707-0647	11.0	36"	X		X	
1985										(2)
830	B	0800101/UP	B	B & S 190702-2142	8.0	30"	X			
830A	B	0200101/UP	B	B & S 190702-2142	8.0	30"	X			
831	B	0800101/UP	B	B & S 190707-2141	8.0	30"	X		X	
831A	B	0200101/UP	B	B & S 190707-2141	8.0	30"	X		X	
831EX	B	0500101/UP	B	B & S 190707-2141	8.0	30"	X		X	
933 (villa)	B	0100101/UP	C	B & S 191707-5832	8.0	30"	X		X	
943 (FS11)	B	0100101/UP	D	B & S 253707-0141	11.0	42"	X		X	
1136	B	0200101/UP	B	B & S 252707-0647	11.0	36"	X		X	
1136A	B	0100101/UP	B	B & S 252707-0647	11.0	36"	X		X	
1136EX	B	0200101/UP	B	B & S 252707-0647	11.0	36"	X		X	
1986										(2)
829EX	B	0100101/UP	B	B & S 190707-2141	8.0	28"	X		X	
831A	B	0300101/UP	B	B & S 190707-2141	8.0	30"	X		X	
831EX	B	0600101/UP	B	B & S 190707-2141	8.0	30"	X		X	
933 (villa)	B	0200101/UP	C	B & S 191707-5832	8.0	30"	X		X	
933A (villa)	B	0100101/UP	C	B & S 191707-5832	8.0	30"	X		X	
936 (villa)	B	0100101/UP	C	B & S 253707-0705	11.0	36"	X		X	
936A (villa)	B	0100101/UP	C	B & S 253707-0705	11.0	36"	X		X	
943 (FS11)	B	0100101/UP	D	B & S 253707-0141	11.0	42"	X		X	
1136A	B	0200101/UP	B	B & S 252707-0647	11.0	36"	X		X	
1136EX	B	0300101/UP	B	B & S 252707-0647	11.0	36"	X		X	
2028	B	0100101/UP	B	B & S 190707-2141	8.0	28"	X		X	
2030	B	0100101/UP	B	B & S 190702-2142	8.0	30"	X		X	
2036	B	0100101/UP	B	B & S 252707-0647	11.0	36"	X		X	
1987										(2)
829EX	B	0200101/UP	B	B & S 190707-2141	8.0	28"	X		X	
933 (villa)	B	0200101/UP	C	B & S 191707-5832 & 5847	8.0	30"	X		X	
936 (villa)	B	0200101/UP	C	B & S 253707-0705	11.0	36"	X		X	
943 (FS11)	B	0200101/UP	D	B & S 253707-0141	11.0	42"	X		X	
1136A	B	0300101/UP	B	B & S 252707-0647	11.0	36"	X		X	
2028	B	0200101/UP	B	B & S 190707-2167	8.0	28"	X		X	
2028EX	B	0200101/UP	B	B & S 190707-2167	8.0	28"	X		X	
2128A	B	0100101/UP	B	B & S 190707-2167	8.0	28"	X		X	
2136	B	0100101/UP	B	B & S 281707-0126 (3)	12.0	36"	X		X	
2136A	B	0100101/UP	B	B & S 281707-0126 (3)	12.0	36"	X		X	
2136EX	B	0100101/UP	B	B & S 281707-0126 (3)	12.0	36"	X		X	
1988										(2)
829EX	B	0300101/UP	B	B & S 190707-2141	8.0	28"	X		X	
944M (FS)	B	0100101/UP	D	B & S 281707-0142 (3)	12.0	42"	X		X	

* B - Bolens

** Illustrations See Section 1 page 1
More Footnotes Section 2 Page 5

NA - Not Applicable

RIDING MOWER MODELS AND SPECIFICATIONS (CONT'D)

BOLENS

SKU/ MODEL	*	SERIAL NUMBER	**	ENGINE MODEL & TYPE	HP	WIDTH	SIDE DISCH.	Mulch	ELEC. START	REMARKS
1988										(2)
2028	B	0300101/UP	B	B & S 191707-2178	8.0	28"	X		X	
2128A	B	0200101/UP	B	B & S 191707-2178	8.0	28"	X		X	
2136	B	0300101/UP	B	B & S 281707-0168 (3)	12.0	36"	X		X	
2136A	B	0200101/UP	B	B & S 281707-0168 (3)	12.0	36"	X		X	
2136EX	B	0200101/UP	B	B & S 281707-0168 (3)	12.0	36"	X		X	
1989										(2)
829EX	B	0400101/UP	B	B & S 190707-2141	8.0	28"	X		X	
944M (FS)	B	0100101/UP	D	B & S 281707-0142 (3)	12.0	42"	X		X	
2027	B	0100101/UP	B	B & S 191707-2538	8.0	28"	X		X	
2028	B	0400101/UP	B	B & S 193707-0353 (3)	8.0	28"	X		X	
2128A	B	0300101/UP	B	B & S 193707-0353 (3)	8.0	28"	X		X	
2136	B	0400101/UP	B	B & S 281707-0168 (3)	12.0	36"	X		X	
2136A	B	0300101/UP	B	B & S 281707-0168 (3)	12.0	36"	X		X	
2136EX	B	0300101/UP	B	B & S 281707-0168 (3)	12.0	36"	X		X	
1990										(2)
829EX	B	0500101/UP	B	B & S 190707-2141	8.0	28"	X		X	
944M (FS)	B	0200101/UP	D	B & S 281707-0142 (3)	12.0	42"	X		X	
966M (FS)	B	0100101/UP	D	B & S 30377-0130	16.0	42"	X		X	(Hydro)
2027	B	0100101/UP	B	B & S 191707-6036	8.0	28"	X		X	
2028	B	0400101/UP	B	B & S 193707-0353	8.0	28"	X		X	
2136	B	0400101/UP	B	B & S 281707-0168	12.0	36"	X		X	
1991										(2)
944M (FS)	B	0200101/UP	D	B & S 281707-0142 (3)	12.0	42"	X		X	
966M (FS)	B	0100101/UP	D	B & S 303777-0130-01 (4)	16.0	42"	X		X	(Hydro)
2027	B	0200101/UP	B	B & S 191707-6036	8.0	28"	X		X	
2028	B	0500101/UP	B	B & S 193707-0353 (3)	8.0	28"	X		X	
2136	B	0500101/UP	B	B & S 281707-0168 (3)	12.0	36"	X		X	
1992										(2)
944M (FS)	B	0200101/UP	D	B & S 281707-0142 (3)	12.0	42"	X		X	
966M (FS)	B	0100101/UP	D	B & S 303777-0130-01 (4)	16.0	42"	X		X	(Hydro)
13000	B	130000100101/UP	B	B & S 191707-6036	8.0	28"	X		X	
13001	B	130010100101/UP	B	B & S 196707-0114-01 (3)	8.5	28"	X		X	
13002	B	130020100101/UP	B	B & S 190707-2141	8.0	28"	X		X	
13003	B	130030100101/UP	B	B & S 286707-0134 (3)	12.5	33"		(5)	X	
13004	B	130040100101/UP	B	B & S 281707-0168 (3)	12.0	36"	X		X	
13005	B	130050100101/UP	B	B & S 286707-0134 (3)	12.5	36"	X		X	
13006	B	130060100101/UP	B	B & S 281707-0168 (3)	12.0	36"	X		X	
13007	B	130070100101/UP	B	B & S 281707-0168 (3)	12.5	33"		(5)(6)	X	
13008	B	130080100101/UP	B	B & S 193707-0353 (3)	8.0	28"	X		X	
13009	B	130090100101/UP	B	B & S 281707-0168 (3)	12.0	36"	X		X	
1993										(2)
966M (FS)	B	0100101/UP	D	B & S 303777-0130-01 (4)	16.0	42"	X		X	(Hydro)
13000	B	130000100101/UP	B	B & S 191707-6036	8.0	28"	X		X	
13001	B	130010100101/UP	B	B & S 196707-0114-01 (3)	8.5	28"	X		X	
13002	B	130020100101/UP	B	B & S 190707-2441	8.0	28"	X		X	
13003	B	130030100101/UP	B	B & S 286707-0134 (3)	12.5	33"		(5)	X	
13004	B	130040100101/UP	B	B & S 281707-0168 (3)	12.0	36"	X		X	W/O Mower
13005	B	130050100101/UP	B	B & S 286707-0134 (3)	12.5	36"	X		X	
13006	B	130060100101/UP	B	B & S 281707-0168 (3)	12.0	36"	X		X	
13007	B	130070100101/UP	B	B & S 281707-0168 (3)	12.5	33"		(5)(6)	X	

* B - Bolens

** Illustrations See Section 1 page 1 NA - Not Applicable
More Footnotes Section 2 Page 5

RIDING MOWER MODELS AND SPECIFICATIONS (CONT'D)

BOLENS

SKU/ MODEL	* SERIAL NUMBER	**	ENGINE MODEL & TYPE	HP	WIDTH	SIDE DISCH.	MULCH	ELEC. START	REMARKS
1993									
13008	B 130080100101/UP	B	B & S 193707-0353 (3)	8.0	28"	X		X	(2)
13009	B 130090100101/UP	B	B & S 281707-0168 (3)	12.0	36"	X		X	
13055	B 130550100101/UP	B	B & S 195707-0113	8.0	28"	X		X	
13056	B 130560100101/UP	B	B & S 196707-0114-01 (3)	8.5	28"	X		X	
13057	B 130570100101/UP	B	B & S 190707-0114	8.5	28"	X		X	
1994									
13006	B 130060100101/UP	B	B & S 281707-0168 (3)	12.0	36"	X		X	(2)
13055	B 130550100101/UP	B	B & S 195707-0113	8.0	28"	X		X	
13057	B 130570100101/UP	B	B & S 190707-0114	8.5	28"	X		X	
13067	B 130670100101/UP	B	B & S 286707-0168 (3)	12.5	33"		(5)	X	
13068	B 130680100101/UP	B	B & S 286707-0134	12.5	33"		(5)	X	
1995									
13006	B 130060100101/UP	B	B & S 281707-0168 (3)	12.0	36"	X		X	(2)
13055	B 130550100101/UP	B	B & S 195707-0113	8.0	28"	X		X	
13057	B 130570100101/UP	B	B & S 190707-0114	8.5	28"	X		X	
13067	B 130670100101/UP	B	B & S 286707-0168 (3)	12.5	33"		(5)	X	
13068	B 130680100101/UP	B	B & S 286707-0134	12.5	33"		(5)	X	
1996									
13057	B 130570100101/UP	B	B & S 190707-01114	8.5	28"	X		X	(2)
13068	B 130680100101/UP	B	B & S 286707-0134	12.5	33"		(5)	X	

* B - Bolens

** Illustrations See Section 1 page 1

FOOTNOTES

- 1.- All Models Produced Thru 1969 were Mid Engine Design (A-Section 1 Page 1).
- 2.- All Models Produced after 1969 were Rear Engine Design (B-Section 1 Page 1), except where noted.
- 3 - B & S I.C. Engine
- 4 - B & S Vanguard Engine
- 5 - Mulching Mower Deck - 2 Blade
- 6 - Must remove throttle clip to obtain 3400 RPM



RIDING MOWER ATTACHMENT INTERCHANGEABILITY*

Description	Model	528, 628	728	828-01/02 828-03	829-01-02	829-03-06	830	831, 1130	1134-01-02	1134-03 & Later	1136-03	829EX/2027/2028	2030	2036	2136 Series	13000 Series 28"	13000 Series 33"	13000 Series 36"
Blade-36" Snow	6861	(1)	X	X	X	X	(1)	(1)	(1)	(1)	X							
Bagging Attachment-Hopper/ Bagger (3 bu.)	6877 6885	X	X	X	X	X												
Backpacker (req. Boot Kit) (Req. Backpacker Adaptor) PowerPacker	6897 6951/52 6028 6036						X X X	X X			X X X	X X X	X X X	X X X	X X X	X X X		X
Backpacker Adaptor (F/Back- packer)	6953 6954						X X	X			X X	X X	X X	X X		X		X
Boot Kit (F/Backpacker)	6898 6899						X X	X			X							
Disposaole Bags (2 bu.) (F/Bagging Attachment)	6909						X X	X			X X	X X	X X	X X	X X			
Dump Cart (4.5 cu. ft.)	15110	X	X	X	X	X	X	X	X	X	X	X	X	X	X	X	X	X
Gage Wheel Kit (1736144)	6884	X					X X	X										
Grass Catcher (Side)	6845	X	X	X	X	X												
Hitch & Boot (F/Vac)	15149	X	X	X	X	X												
Lawn Sweeper - 31"	18620 18621	X X	X X	X X	X X	X X	X X	X X	X X	X X	X X	X X	X X	X X	X X	X X		X X
Muffler Kit	6870			X	X													
Service Kits See Troy Bilt Microfiche 9-3																		
Storage Cover	6914	X	X	X	X	X	X	X	X	X	X	X	X	X	X	X	X	X
Storage Stand	6957					X	X	X	X	X	X	X	X	X	X	X	X	X
String Trimmer - 12volt	6888 30904				X	X		X	X	X	X	X	X	X	X	X	X	X
Thatch Eliminator	6907						X	X	X	X	X	X	X	X	X	X		X
Tire Chains (F/16x6.50x8) (F/4.80x4.00x8)	1756279 1756278	X	X	X	X	X	X	X			X	X	X	X	X			

***NOTE: Check for availability- Most items no longer in stock.**

1 - Model 6892 Adaptor Kit needed with 528-03,
628, 830-04, 831-04 & 1134.

REAR/FRAME STEER ATTACHMENT INTERCHANGEABILITY*

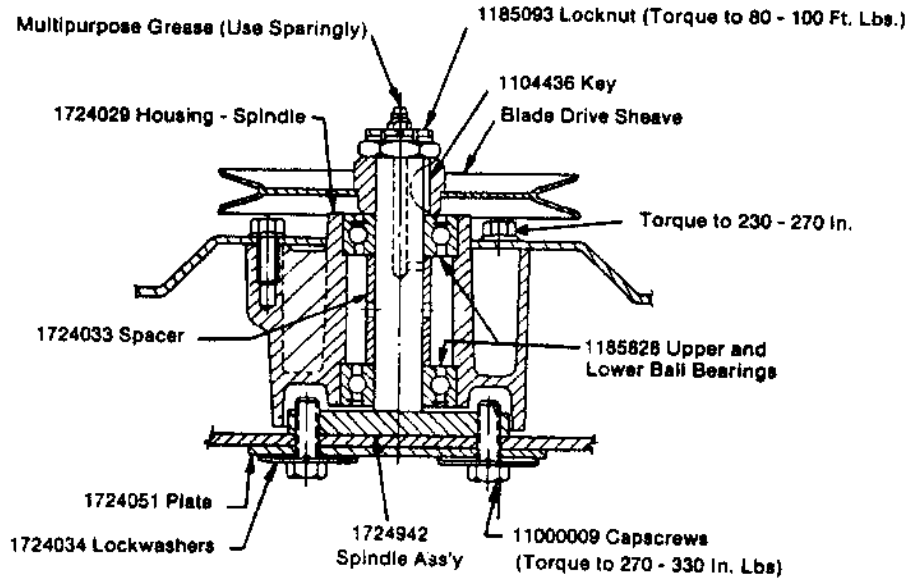
Description	Model/PN	FS11	FS11	FS	VILLA	VILLA
		940	942	943 944M 966M	933	936
Backpacker (Req. Backpacker Adaptor)	6951/6952 15535				X X	
Backpacker Adaptor (F/Backpacker)	6960 6955				X	X
Belt (F/15124 Snowthrower to Hitch) (Mower Drive)	1733439 1752128 1743896	X (6)	X X			
Blade - 40" Snow	15123	X	X			
Dump Cart - 4.5 cu. ft.	15110	X	X	X		
Mower - 30" Side Discharge 36" Side Discharge 40" Rear Discharge 42" Side Discharge	15530 15636 15550 14043 15570	 (4) (3) (3)	 X X	 X X	X	X
Mower Adaptor Kit (convert to 15570-01 Service Kits- See Troy Bilt Microfiche 9 - 3)	15127	X				
Snowthrower - 32" Single Stage (Req. Hitch)	15124-01	X	(1)			
Snowthrower Hitch	15125-01	X	(2)			
Storage Cover	30914	X	X	X	X	X
String Trimmer - 12 Volt	6888 30904	X X	X X	X X	X X	X X
Tire Chains (F/16x6.50-8)	1756279	X	X	X		
Wheel Weights (pr) 70 lbs.	18031 18032 18033	X X	X X	X		
50 lbs.	6958				(5)	X

***NOTE: Check for availability- Most items no longer in stock.**

- 1 - Will fit with v-belt 1743519 and gear box rotated. See Product Bulletin 79.
- 2 - Hitch pulley & associated parts must be removed from single belt drive installation.
- 3 - Parts required to mount 42" mower to 940 tractor:
 - 1 - 15570 42" Mower 1 " 1860256 Screw 1 - 1813546 Spacer
 - 1 - 18113252 Lock Washer 1 - 1813545 Pulley
- 4 - Double v-belt not available. Order (1) 1752128 v-belt. When installing check idler alignment at normal cutting height. Relocate idler if not aligned (See Newsletter Jan. 24, 1986).
- 5 - Fits units with serial numbers 0200101 and later.
- 6 - Replace matched or dual "V" belt with single belt on 40" rear discharge mower.

RIDING MOWER SPINDLE ASSEMBLIES

MODELS 728, 828, 829 & 1134 SERIES
28" & 34" MOWER

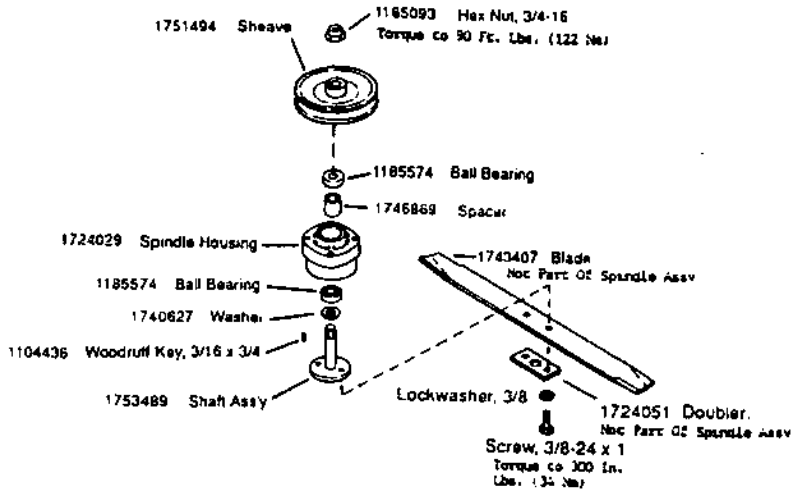


MODELS 1136 & 2136 SERIES
36" MOWER

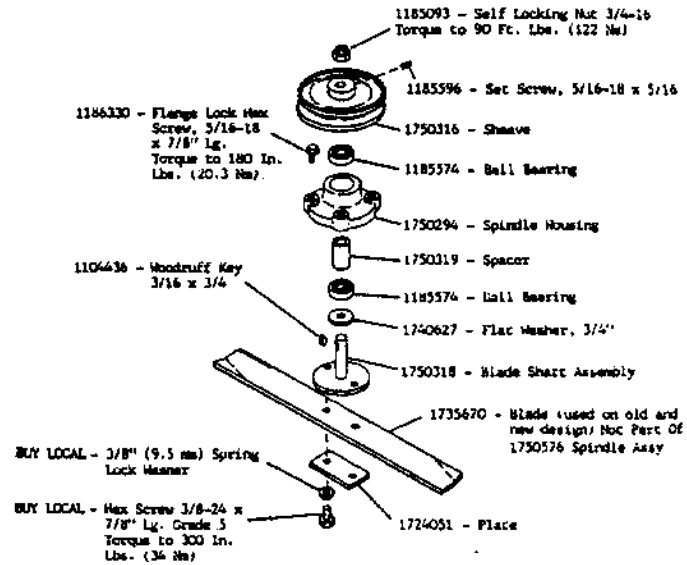


RIDING MOWER SPINDLE ASSEMBLIES (CONT'D)

MODELS 829EX, 2027, 2028-02/UP & 1300 SERIES
28" MOWER - 1763440



MODEL 2030
30" MOWER - 1750570



MODELS 13000 SERIES
33" MOWERS

RIDING MOWER - 28" AND 30" (FIG. 2)

1. Remove spring (A) from idler arm.
2. Loosen belt guide (B) on the mower pulley.
3. Remove the belt from the mower pulley.
4. Remove idler pulley (D) from idler arm.
5. Loosen belt guide (E) Fig.5 under engine and remove belt.
6. Install new belt by reversing the above procedure.

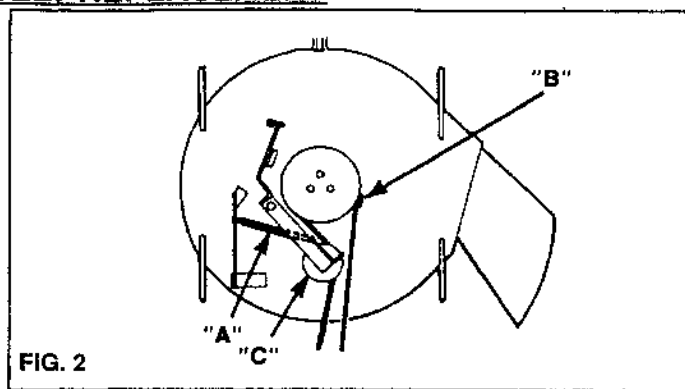


FIG. 2

RIDING MOWER - 34" MOWER (FIG. 3)

1. Remove spring (A) from idler arm.
2. Remove brake rod (B) from idler arm.
3. Loosen idler pulley (C).
4. Loosen belt guide (D) on stationary pulley.
5. Loosen belt guide (E) Fig.5 under engine and remove belt.
6. Install new belt by reversing the removal procedure.

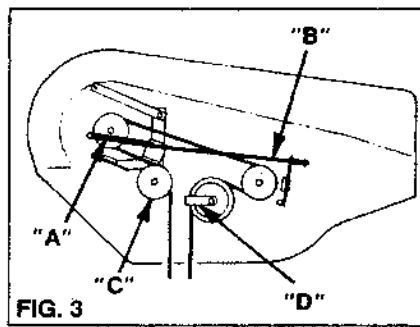


FIG. 3

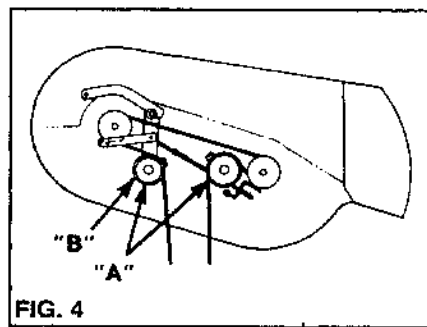


FIG. 4

RIDING MOWER - 36" MOWER (FIG. 4)

1. Loosen belt guide (E) Fig.5 on engine pulley and remove belt.
2. Cut old belt and remove.
3. Loosen idler pulleys (A) and insert new belt inside belt guides. Tighten idlers.
4. Pivot idler (B) to swing brake blocks from sheaves. Route belt around sheaves as shown.
5. Install mower onto tractor.
6. Position belt onto engine sheave and tighten belt guide (E) Fig.5.

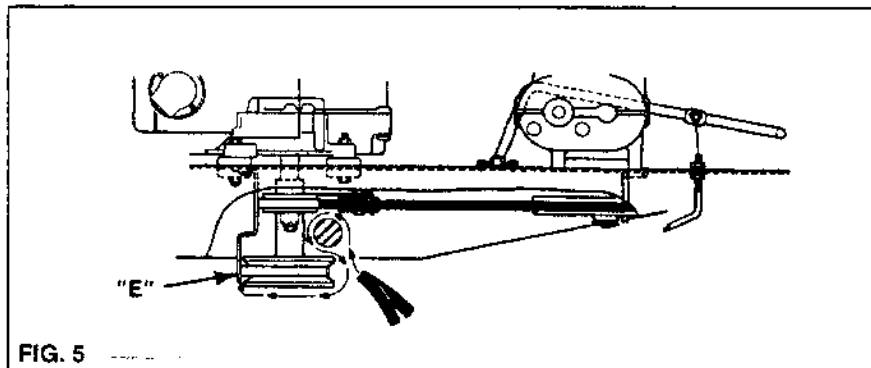


FIG. 5

RIDING MOWER - 33" MOWER (FIG. 6)

1. Loosen belt guides (A & B Fig. 6).
2. Rotate idler arm (C) away from pulley (D). Replace belt (E) with new belt.
3. Route belt between idler (F) and belt guide (A). Place guide (A) in approximate position shown and secure.
4. Place new belt into groove of stationary idler (G) and secure belt guide (B) in rear of slot as shown.
5. Place new belt into groove of engine pulley and assemble belt guide (Fig. 5) as far forward as possible. Re-tighten guide and bolt heads on differential. A gap of 1/8" should exist.
6. Lift mower blade drive lever to engage drive (H).

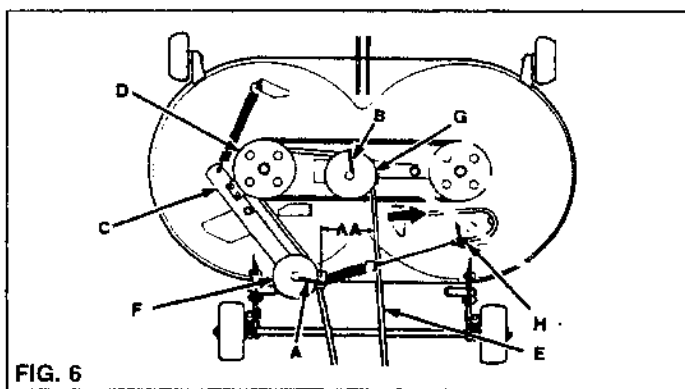
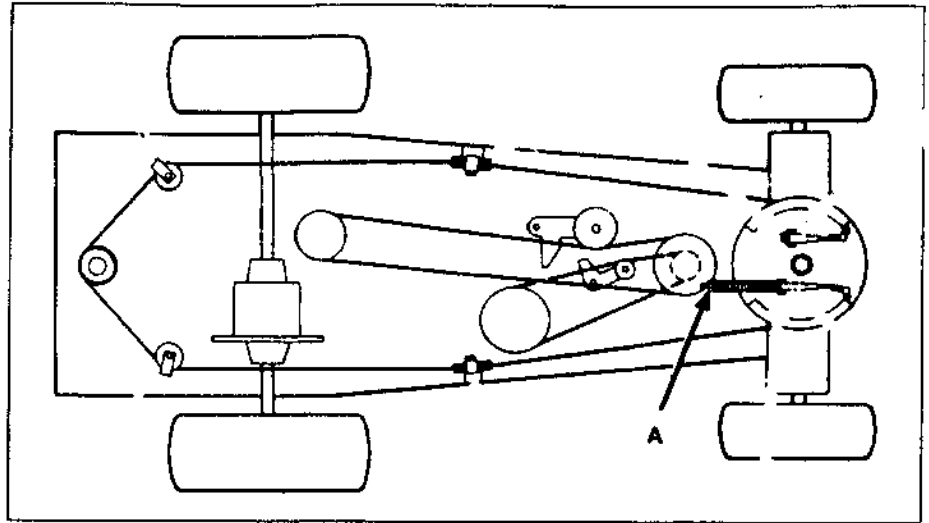
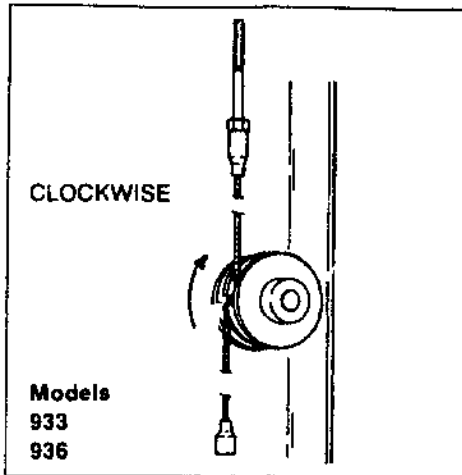


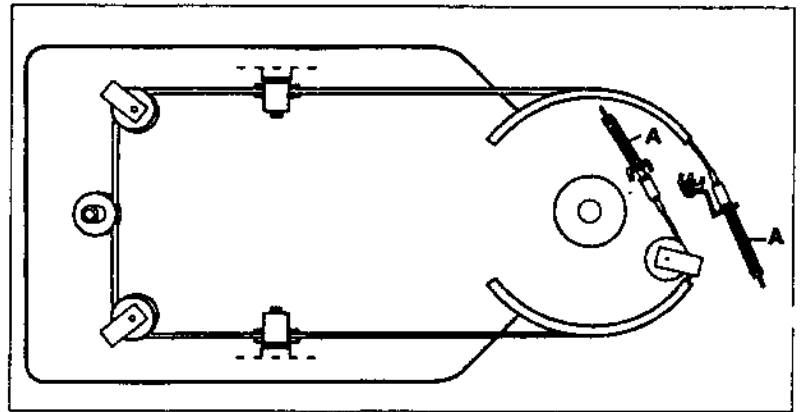
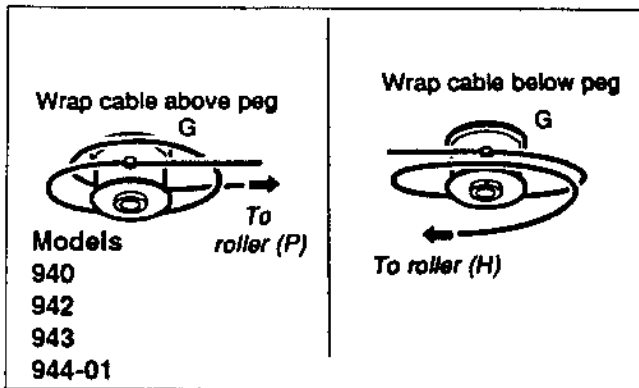
FIG. 6

7. Check clearance between belt at point (AA, Fig. 6). If there is not at least a 1" (2.5 cm) gap, move mower ahead by adjusting nuts on lift arms.

NOTE: BLADES SHOULD BE PERPENDICULAR TO EACH OTHER

REAR/FRAME STEER STEERING ADJUSTMENT

Adjust the cable length by relocating nut (A) until the spring is under tension and all steering wheel play is removed.

FS STEERING KIT #1764771

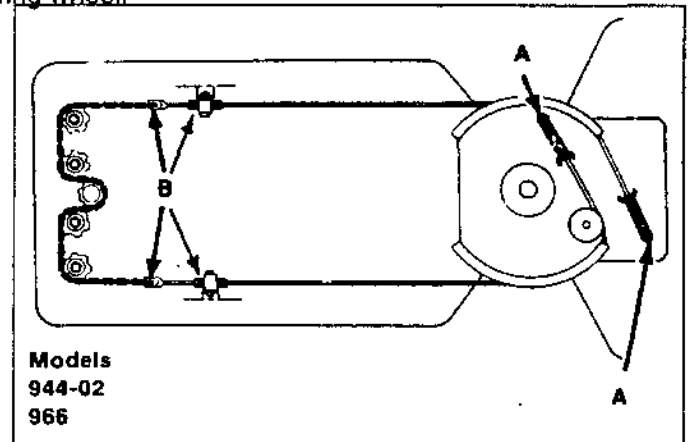
Adjust the steering cable by tightening lock nuts (A) so length of spring is 4-1/4". Do not twist cable when tightening nut. There should be tension on the steering cable and all play out of the steering wheel.

FS STEERING

Model 944 (serial numbers 0200101 and later) & 966.

Tension the steering cables by tightening up the nuts at (A). The screws in the ends of the cables should be held firmly during adjustment. Use an adjustable wrench or similar.

Adjust BOTH cables so that the distance between the pulley at (B) and the chain is the same in both sides of the machine.



Tension the wires until they are no longer slack. Once adjustment is complete, turn the steering wheel as far as it will go

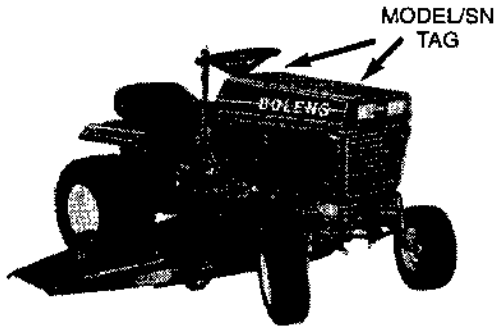
in either direction. Check that the chain does not come in contact with the pulley, and that the cables do not become entangled with the steering pinions.

TYPE		CHAPTER	SECTION	PAGE
<u>TRACTORS</u>	Identifications	10	1	1-5
	Models & Specifications	10	2	1-19
	Transmission Fluids	10	2	20

TRACTORS

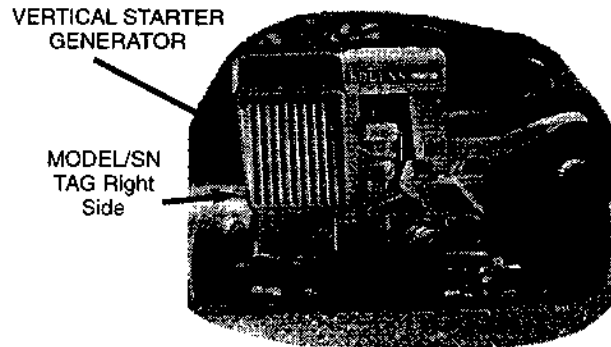
TRACTOR IDENTIFICATION

**SMALL (STAMPED)
FRAME (A)**



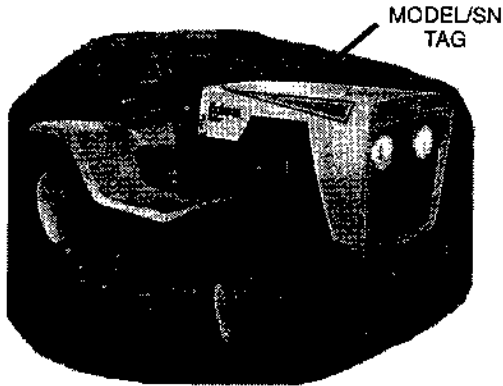
(Attachments - Section 11-1
Page 1)

SMALL FRAME (B)



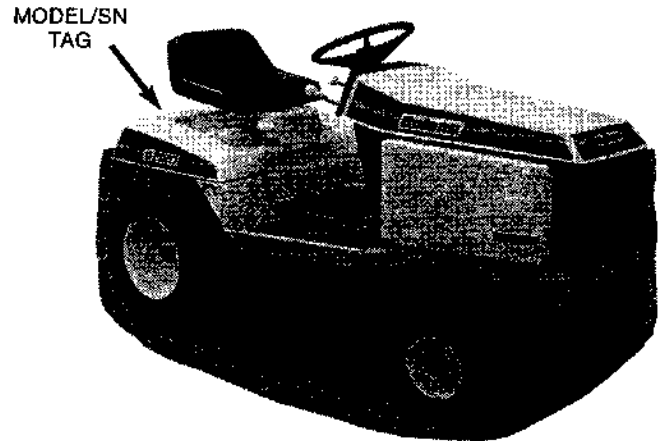
(Attachments - Section 11-1
Page 2)

**LAWN & YARD
FRAME (C)**



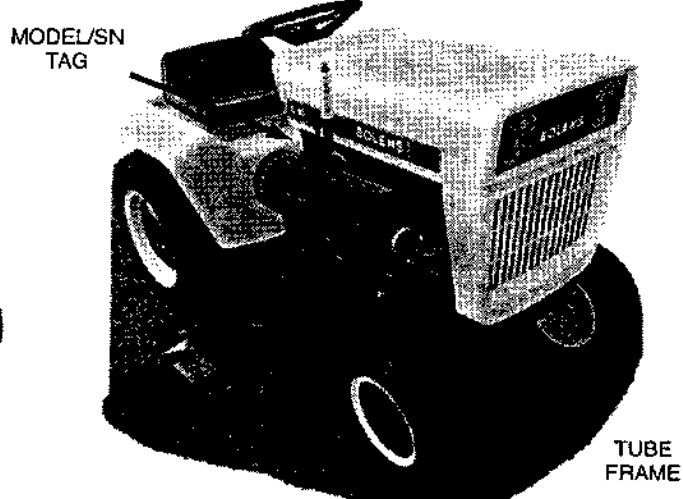
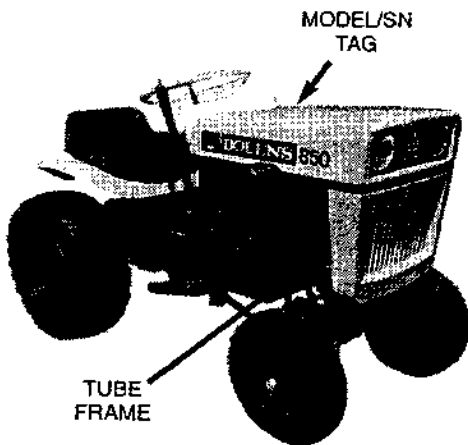
(Attachments - Section 11-1 Page 7)

SUBURBAN SERIES (E)



(Attachments - Section 11-1 Page 1)

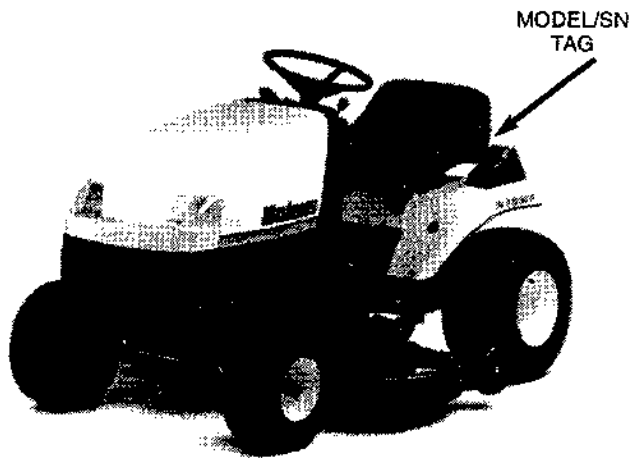
**MEDIUM (TUBE)
FRAME (D)**



(Attachments - Section 11-1 Pages 7, 8, 9, 10 & 11)

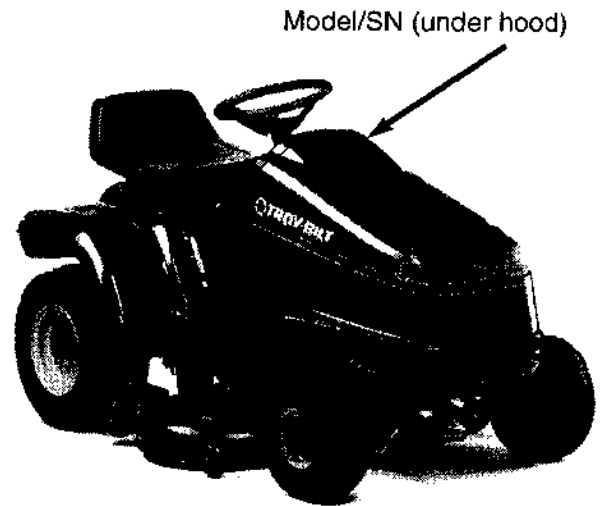
TRACTOR IDENTIFICATION

SUBURBAN SERIES (F)



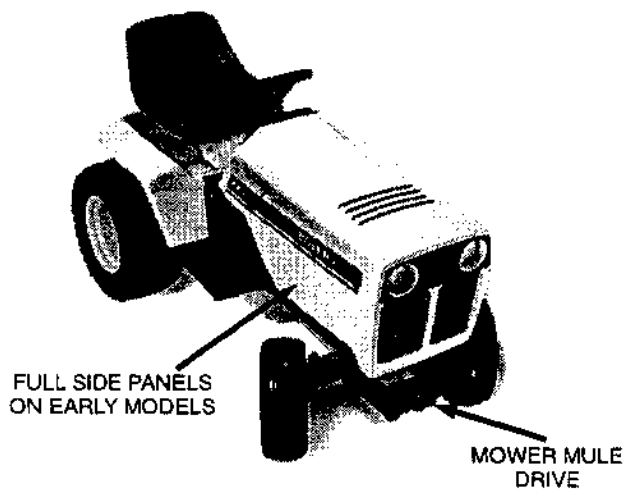
(Attachments - Section 11-1 Page 2)

LT, LTX & GT MODEL (G)



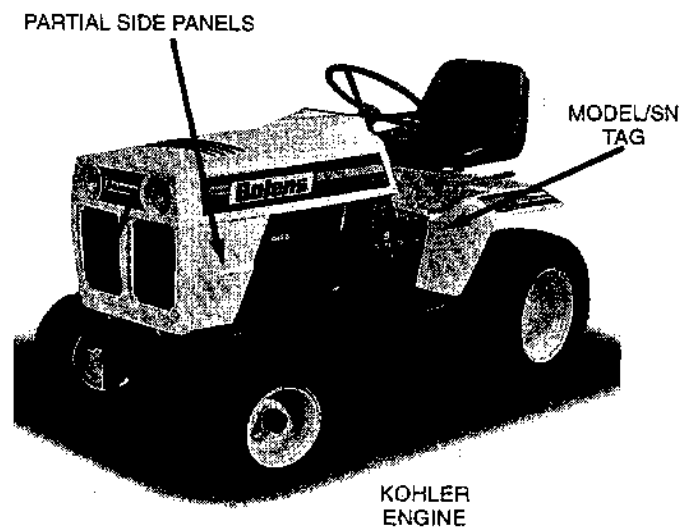
(Attachments - Section 11-1 Pages 5 & 6)

MEDIUM FRAME (H)



(Attachments - Section 11-1 Pages 12, 13, 14 & 15)

5000 SERIES FRAME (I)



(Attachments - 11-1 Pages 17, 18 & 19)

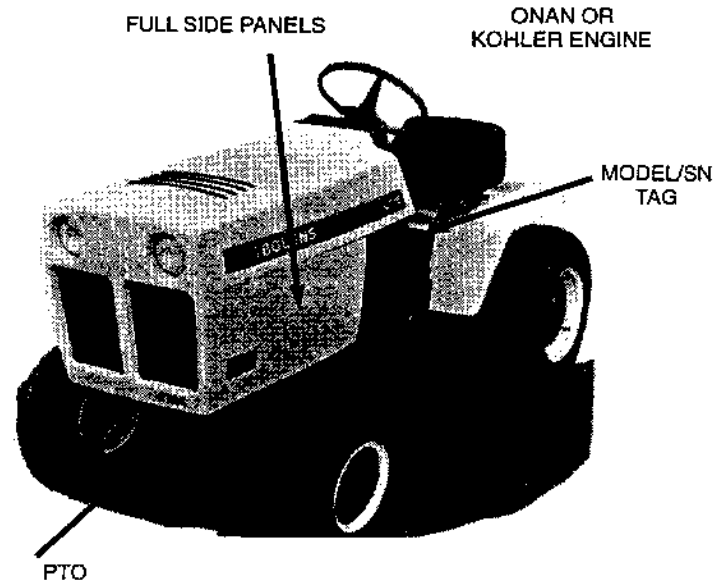
TRACTOR IDENTIFICATION

**GTX/5100 SERIES
FRAME (J)**



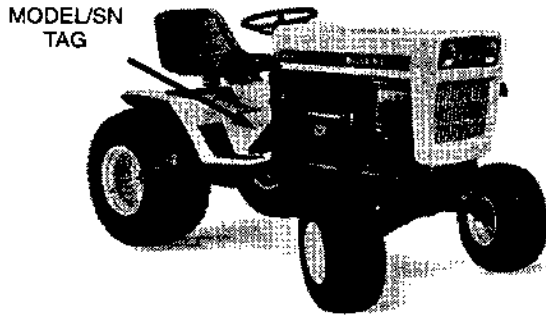
(Attachments - Section 11-1 Pages 17, 18 & 19)

"Q" SERIES FRAME (K)



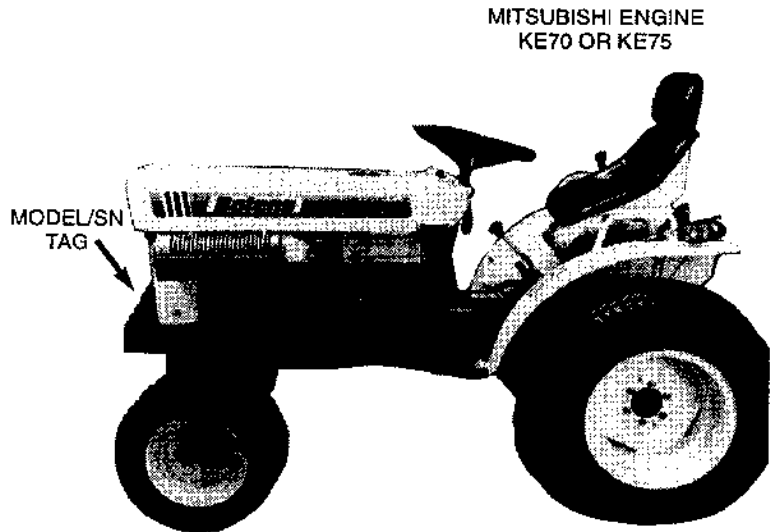
(Attachments - Section 11-1 Page 16)

**LARGE (CHANNEL)
FRAME (L)**



(Attachments - Section 11-1 Pages 20 & 21)

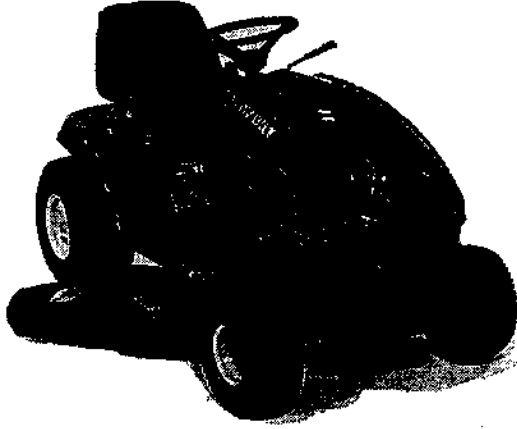
**TX (2 CYL.)
SERIES (M)**



(Attachments - Section 11-1 Pages 22 & 23)

TRACTOR IDENTIFICATION (CONT'D)

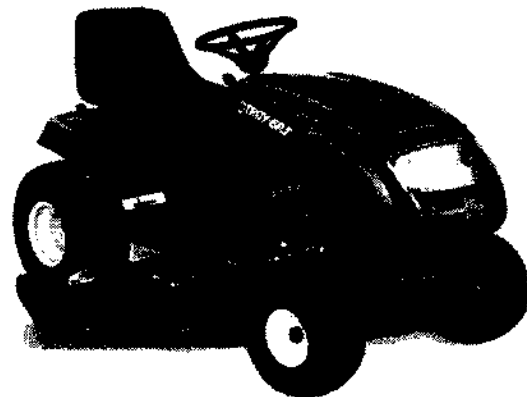
LT Series (N)



(Attachments - Section 11-1 Page 30)

Tractors illustrated on this page are to be serviced by authorized MTD Repair centers only.

GT Series (O)

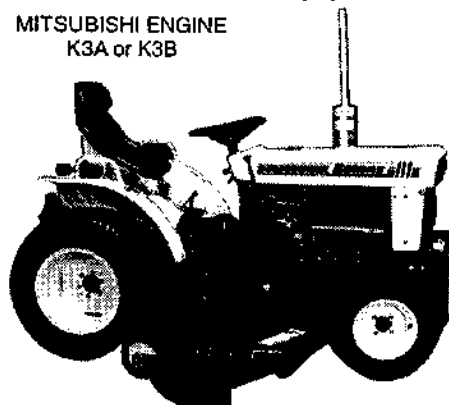


(Attachments - Section 11-1 Page 30)

TRACTOR IDENTIFICATION (CONT'D)

**TX (3 CYL.)
SERIES (P)**

MITSUBISHI ENGINE
K3A or K3B

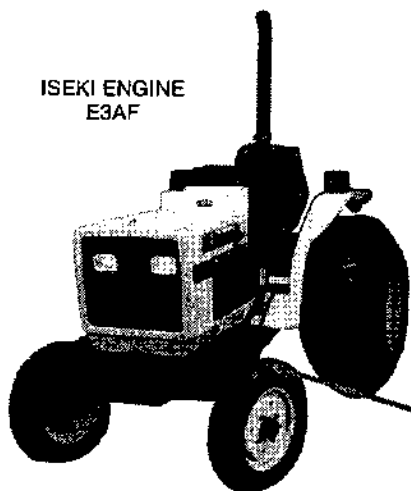


(Attachments - Section 11-1 Pages 23 & 24)

MODEL/SN
TAG

**TE SERIES
(2102 & 2104) (Q)**

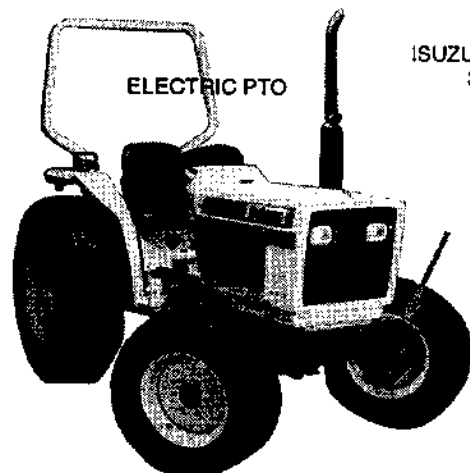
ISEKI ENGINE
E3AF



MODEL/SN
TAG

(Attachments - Section 11-1 Page 27)

**TE SERIES
(2702 & 2704) (R)**



ISUZU ENGINE
3AE

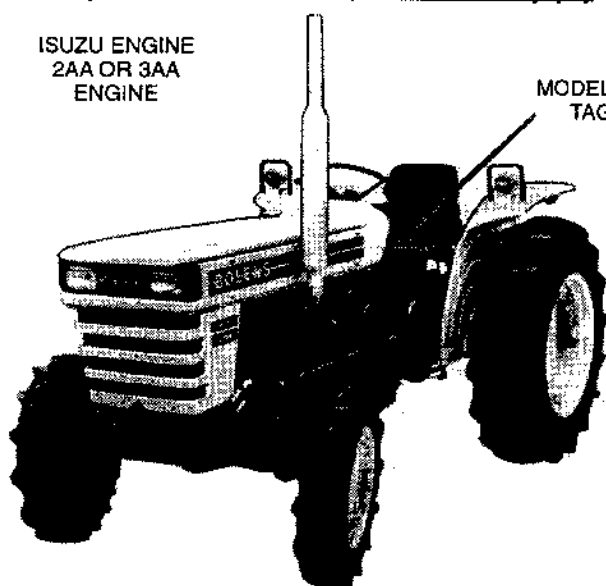
ELECTRIC PTO

MODEL/SN
TAG

(Attachments - Section 11-1 Page 28)

**TS SERIES
(1902, 1910, 2420, 2902, 2904) (S)**

ISUZU ENGINE
2AA OR 3AA
ENGINE



MODEL/SN
TAG

(Attachments - Section 11-1 Pages 25, 26 & 29)

DIESEL MODEL NUMBERS

ISEKI (TAG)	BOLENS (DECAL)
TX1300	TX1300 (G152)
TX1300F	TX1300F (G154)
TX1500	TX1500 (G172)
TX1500F	TX1500F (G174)
TX2140T	TX1502 (G152)
TX2140F	TX1504 (G154)
TX2160F	TX1704 (G174)
TX2140T HST	TX1502H (H152)
TX2160F HST	TX1704H (H174)
TS1910T	TX1910 (G192)
TS1910F	TS1910F (G194)
TS2220T	TS2420 (G242)
TS2220F	TS2420F (G244)
TS2810T	TS2902 (G292)
TS2810F	TS2904 (G294)
TE3210T	2102 (G212)
TE3210F	2104 (G214)
TE4270T	2702 (G272)
TE4270F	2704 (G274)

TRACTOR MODELS AND SPECIFICATIONS

SKU/ Model	Sales Descript.	*	**	Engine Model & Type	HP	Trans		Ign.	Remarks
						Speeds	Bolens	Flywheel Mag.	
1949/50									
B6A4	Gardner	B	NI	Wis./B&S	3.0	1	X	X	Two Wheel
B6A5	Gardner	B	NI	Wis./B&S	3.0	1	X	X	Two Wheel
B6A5S	Gardner	B	NI	Wis./B&S	3.0	1	X	X	Two Wheel
B6A20	Gardner	B	NI	Wis./B&S (1949)	3.0	1	X	X	Two Wheel
HB63A5	Gardner	B	NI	B&S (1949)	3.0	1	X	X	Two Wheel
10A	Handi - HO	B	NI	B&S NS-305118	1.1	1	X	X	Two Wheel
12B	Power - HO	B	NI	B&S 8R6-905899	2.5	1	X	X	Two Wheel
12BA	Power - HO	B	NI	Cl. B764-C.O.C.(1950)	2.0	1	X	X	Two Wheel
12BB	Power - HO	B	NI	B&S 8R6-905899 (1950)	2.5	1	X	X	Two Wheel
35AA	Ride Master	B	NI	Wis. BKN-121304	6.0	1	X	X	
35AB	Ride Master	B	NI	Wis. BKN-121304	6.0	1	X	X	
1951/52/53									
B6A4	Gardner	B	NI	Wis. ACN	3.0	1	X	X	Two Wheel
B6A5	Gardner	B	NI	Wis. ACN	3.0	1	X	X	Two Wheel
B6A5S	Gardner	B	NI	Wis. ACN	3.0	1	X	X	Two Wheel
10C	Handi - HO	B	NI	B&S 65-701045	1.6	1	X	X	Two Wheel
10CB	Handi - HO	B	NI	B&S 81302-493537(1953)	2.5	1	X	X	Two Wheel
12BA	Power - HO	B	NI	Cl. B764-C.O.C.	2.0	1	X	X	Two Wheel
12BB	Power - HO	B	NI	B&S 8R6-905899	2.5	1	X	X	Two Wheel
35AA	Ride Master	B	NI	Wis. BKN-121304 (1951/52)	6.0	1	X	X	
35AB	Ride Master	B	NI	Wis. BKN-121304	6.0	1	X	X	
35AB2	Ride Master	B	NI	Wis. BKN-121304	6.0	1	X	X	
1954									
B6A4	Gardner	B	NI	Wis. ACN	3.0	1	X	X	Two Wheel
B6A5	Gardner	B	NI	Wis. ACN	3.0	1	X	X	Two Wheel
B6A5S	Gardner	B	NI	Wis. ACN	3.0	1	X	X	Two Wheel
10C	Handi - HO	B	NI	B&S 65-701045	1.6	1	X	X	Two Wheel
10CB	Handi - HO	B	NI	B&S 81302-493537	2.5	1	X	X	Two Wheel
15FA	Power - HO	B	NI	Cl. C700	2.0	1	X	X	Two Wheel
15FB	Power - HO	B	NI	B&S 81302-49357	2.5	1	X	X	Two Wheel
15FC	Power - HO	B	NI	B&S 81302-49357	2.5	1	X	X	Two Wheel
15FD	Power - HO	B	NI	Ko. K91T-31268A	3.6	1	X	X	Two Wheel
35AB	Ride Master	B	NI	Wis. BKN-121304	6.0	1	X	X	
35AB2	Ride Master	B	NI	Wis. BKN-121304	6.0	1	X	X	
1955/56									
B6A4	Gardner	B	NI	Wis. ACN (1955)	3.0	1	X	X	Two Wheel
B6A5	Gardner	B	NI	Wis. ACN (1955)	3.0	1	X	X	Two Wheel
B6A5	Gardner	B	NI	Wis. ABN	3.0	1	X	X	Two Wheel
10C	Handi - HO	B	NI	B&S 6S-701045	1.6	1	X	X	Two Wheel
10CB	Handi - HO	B	NI	B&S 81302-493537	2.5	1	X	X	Two Wheel
15FA	Power - HO	B	NI	Cl. C700	2.0	1	X	X	Two Wheel
15FB	Power - HO	B	NI	B&S 81302-493537	2.5	1	X	X	Two Wheel
15FC	Power - HO	B	NI	B&S 81302-493537	2.5	1	X	X	Two Wheel
15FD	Power - HO	B	NI	Ko. K91T-31268A	3.6	1	X	X	Two Wheel
20HD	Ride-A-Matic	B	NI	Ko. K91T-31268A (1956)	3.6	V	X	X	Two Wheel
35AB	Ride Master	B	NI	Wis. BKN-121304	6.0	1	X	X	
35AB2	Ride Master	B	NI	Wis. BKN-121304	6.0	1	X	X	

*B - Bolens
V - Variable

TRACTOR MODELS AND SPECIFICATIONS (CONT'D)

SKU/ Model	Sales Descript.	*	**	Engine Model & Type	HP	Trans		Ign. Flywheel Mag.	Remarks
						Speeds***	Bolens		
1955/1956									
Cont'd									
35AB3	Ride Master	B	NI	Wis. BKN-121304	6.0	1	X	X	Two Wheel
38AB	Ride Master	B	NI	B&S 23-203051	8.0	1	X	X	Two Wheel
38AB2	Ride Master	B	NI	B&S 23-203051	8.0	1	X	X	Two Wheel
38A3	Ride Master	B	NI	B&S 23-203051	8.0	1	X	X	Two Wheel
1957									
15FC	Power - HO	B	NI	B&S 81302-493537	2.0	1	X	X	Two Wheel
15FD	Power - HO	B	NI	Ko. K91T-31268A	3.6	1	X	X	Two Wheel
15FE	Power - HO	B	NI	Cl. A2100	2.0	1	X	X	Two Wheel
15FH	Power - HO	B	NI	Ko. K161-28118E	6.6	1	X	X	Two Wheel
20HD	Ride-A-Matic	B	NI	Ko. K91T-31268A	3.6	V	X	X	Two Wheel
21HD	Ride-A-Matic	B	NI	Ko. K161-28118E	6.6	V	X	X	Two Wheel
38AB2	Ride Master	B	NI	B&S 23-203051	8.0	1	X	X	Two Wheel
38AB3	Ride Master	B	NI	B&S 23-203051	8.0	1	X	X	Two Wheel
1958									
112	Old 38AB2	B	NI	B&S 23-202051	8.0	1	X	X	
113	Old 38AB3	B	NI	B&S 23-203051	8.0	1	X	X	
152-01	Old 15FE	B	NI	Cl. A2100	2.75	1	X	X	
153-01	Old 15FC	B	NI	B&S 81302-493537	2.75	1	X	X	
154-01	Old 15F	B	NI	Ko. K91T-31268A	3.6	1	X	X	
155-01	Old 15FH	B	NI	Ko. K161-28118E	6.6	1	X	X	
200	Old 20D	B	NI	Ko. K91T-31268A	3.6	V	X	X	
220	Ride-A-Matic	B	NI	Ko. K161-28228E	6.6	1	X	X	
1959									
153-03	Power - HO	B	NI	Ko. K91T-31268A	3.0	1	X	X	Two Wheel
154-03	Power - HO	B	NI	Ko. K91T-31268A	4.0	1	X	X	Two Wheel
155-02	Power - HO	B	NI	Ko. K161-28118E	6.6	1	X	X	Two Wheel
230	Ride-A-Matic	B	NI	Ko. K161-28118E	7.0	V	X	X	Manual Start
1960									
153-03	Power - HO	B	NI	B&S 81302-493537	3.0	1	X	X	Two Wheel
154-03	Power - HO	B	NI	Ko. K91T-31268A	4.0	1	X	X	Two Wheel
155-02	Power - HO	B	NI	Ko. K161-28118E	7.0	1	X	X	Two Wheel
170-02	Convertible	B	NI	LaV45C-1220FP	4.5	1	X	X	
231-01	Ride-A-Matic	B	NI	Ko. K161-28118E	7.0	V	X	X	
232-01	Ride-A-Matic	B	NI	Ko. K161-28118E	7.0	V	X	X	
1961									
153-03	Power - HO	B	NI	B&S 81302-493537	3.0	1	X	X	Two Wheel
154-03	Power - HO	B	NI	Ko. K91T31268A	4.0	1	X	X	Two Wheel
155-02	Power - HO	B	NI	Ko. K161-28228E	7.0	1	X	X	Two Wheel
170-03-04	Convertible	B	NI	La. V45C-1220P	4.5	1	X	X	
233-01	Ride-A-Matic	B	NI	Ko. K161-28118E	7.0	V	X	X	Manual Start
234-01	Ride-A-Matic	B	NI	Ko. K161-28118E	7.0	V	X	X	
1962									
180-01-02	600	B	D	B&S 142302-019801	6.0	3	X	X	Manual Start
181-01-02	600	B	D	B&S 142301-019701	6.0	3	X	X	
235-01	Ride-A-Matic	B	NI	Ko. K161-28118E	7.0	3	X	X	Manual Start
236-01	Ride-A-Matic	B	NI	Ko. K161-28118E	7.0	3	X	X	

*B - Bolens **Illustrations see Section 10-1 Pages 1 thru 5 ***3 Speed Bolens-Belt Changer for HI and LO Range.
V - Variable NI - Not Illustrated More Footnotes: Section 10-2 Page 20

TRACTOR MODELS AND SPECIFICATIONS (CONT'D)

SKU/ Model	Sales Descript.	*	**	Engine Model & Type	HP	Trans				Ign.		Remarks
						Speeds	Eaton Hyd. #	Bolens	Peerless	Lube/Capacity <small>(see section 10-2 page 20)</small>	Battery	
1963												
180-03	600	B	D	B&S 142302-019801	6.0	3		X		BS	X	Manual Start
181-03	600	B	D	B&S 142301-019701	6.0	3		X		BS	X	
186-01	800	B	D	Wis. S7D-218981	7.25	3		X		BS	X	Manual Start
187-01	800	B	D	Wis. S7D-218981	7.25	3		X		BS	X	
1964												
180-04	600	B	D	B&S 142302-019801	6.0	3		X		BS		Manual Start
181-04	600	B	D	B&S 142301-019701	6.0	3		X		BS		
188-01	900	B	D	Wis. S8D-231552	8.25	3		X		BS		Manual Start
189-01	900	B	D	Wis. S8D-231552	8.25	3		X		BS		
910-01	L.K.	B	NI	B&S 142702-913201	6.0	2		X		AF		Manual Start
930-01	E.K.	B	NI	Wis. S7D-230116	7.25	3		X		BS		
1965												
180-04	600	B	D	B&S 142303-019801	6.0	3		X		BS	X	Manual Start
181-04	600	B	D	B&S 142301-019701	6.0	3		X		BS	X	
188-02	900	B	D	Wis. S8D-231552	8.25	3		X		BS	X	Manual Start
189-02	900	B	D	Wis. S8D-231552	8.25	3		X		BS	X	
190-01	1000	B	D	Wis. TR10D-241195	10.0	6		X		BS	X	
910-01	L.K.	B	NI	B&S 142702-913201	6.0	2		X		AF	X	Manual Start
930-02	E.K.	B	NI	Wis. S7D-230116	7.25	3		X		BS	X	
1966												
184-01	650	B	D	B&S 146402-014801	6.0	3				BS	X	Manual Start (8)
185-01	650	B	D	B&S 146401-014701	6.0	3				BS	X	Manual Start (8)
191-01	850	B	D	Wis. S8D-231552	8.25	3				BS	X	(8)
192-01	1050	B	D	Wis. TR10D-241195	10.0	6				BS	X	
910-02	L.K.	B	NI	B&S 142702-913201	6.0	2				AF	X	Manual Start (9)
911-01	L.K.	B	NI	La. V60-70093	6.0	2				AF	X	Manual Start (9)
930-02	E.K.	B	NI	Wis. S7D-230116	7.25	3				BS	X	
1967												
171-01	750	B	D	B&S 170402-013001	7.0	3				BS	X	Manual Start (8)
172-01	750	B	D	B&S 170401-013101	7.0	3				BS	X	(8)
191-02	850	B	D	Wis. S8D-271995	8.25	3				BS	X	(8)
192-02	1050	B	D	Wis. TRA10D-285633	10.0	6				BS	X	
197-01	1250	B	L	Wis. S12D-281960	12.0					DPW	X	
909-01	L.K.	B	NI	La. LAV50-70093D	5.0	2				AF	X	Manual Start (9)
911-01	L.K.	B	NI	La. V60-70093D	6.0	2				AF	X	Manual Start (9)
931-01	E.K.	B	NI	Wis. TRA10D-286809	10.0	6				BS	X	
1968												
160-01	770	B	B	B&S 170702-062701	7.0	3			X	BL	X	Manual Start
161-01	770	B	B	B&S 170701-062801	7.0	3			X	BL	X	
191-02	850	B	D	Wis. S8D-271995	8.25	3				BS	X	(8)
192-02	1050	B	D	Wis. TRA10D-285633	10.0	6				BS	X	
197-02	1250	B	L	Wis. S12D-281960	12.5		12	X		DPW	X	
914-01	L.K.	B	NI	La. V50-60123G	5.0	2				AF	X	Manual Start (9)
915-01	L.K.	B	NI	La. V60-70093D	6.0	2				AF	X	Manual Start (9)
931-02	E.K.	B	NI	Wis. TRA10D-286809	10.0	3				BS		

*B - Bolens NI - Not Illustrated More Footnotes: Section 10-2 Page 20

**Illustrations see Section 10-1 Pages 1 thru 5

TRACTOR MODELS AND SPECIFICATIONS (CONT'D)

SKU/ Model	Sales Descrip.	*	**	Engine Model & Type	HP	Transmission					Ign.			Remarks
						Speeds	Eaton Hyd. #	Eaton Trans.	Bolens	Peerless	Lube/Cap. <small>(see section 10-2 page 20)</small>	Solid State	Battery	
1969														
164-01	770	B	B	B&S 170702-062701	7.0	3				X	BL		X	MS
165-01	770	B	B	B&S 170701-062801	7.0	3				X	BL		X	MS
166-02	775	B	B	B&S 170701-062801	7.0		6			X	BKD		X	(8)
191-02	850	B	D	Wis. S8D-285662	8.25	3					BS	X		(8)
192-02	1050	B	D	Wis. TRA10-285633	10.0	6					BS	X		(8)
193-01	1220	B	D	La. HH120-120061B	12.0	6					BS	X		(8)
194-01	1225	B	D	Wis. TRA12D-318973	12.0		10				BND	X		(8)
197-03	1250	B	L	Wis. S12D-281960	12.5		12		X		DPW		X	(8)
198-01	1455	B	L	Wis. S14D-309245	14.0		12		X		DPW		X	(8)
198-02	1455	B	L	Wis. S14D-318974	14.0		12		X		DPW	X		(8)
914-02	L.K.	B	NI	La. V50-60123G	5.0	2					AF		X	MS (9)
915-03	L.K.	B	NI	La. V60-70166G	6.0	2					AF		X	MS (9)
931-02	E.K.	B	NI	Wis. TRA10D-286809	10.0	3					BS		X	(8)
1970														
730-01	730	B	B	B&S 170702-062701	7.0	3				X	BL		X	MS
733-01	733	B	B	B&S 170701-062801	7.0	3				X	BL		X	MS
736-01	736	B	B	B&S 170701-062801	7.0					X	BKD		X	(8)
853-03	853	B	D	B&S 190401-013901	8.0	3	6				BS		X	(8)
915-03	L.K.	B	NI	La. V60-70166G	6.0			F			AF		X	MS (9)
1053-01-02	1053	B	D	Wis. TRA10D-285633	10.0	6					BS	X		(8)
1253-01	1253	B	D	Tec. HH120-120090C	12.0	6					BS	X		(8)
1256-01	1256	B	D	Wis. TRA12D-335600	12.0		10				BND	X		(8)
1257-01	1257	B	D	Tec. HH120-120090C	12.0		10				BND	X		(8)
1476-01	1476	B	L	Wis. S14D-318974	14.0		12		X		DPW	X		(8)
1971														
510-01-02	510	B	A	B&S 120902-027601	5.0	3				X	BG		X	MS
610-01-02	610	B	A	B&S 146702-115301	6.0	3				X	BG		X	MS
613-01-02	613	B	A	B&S 146707-115401	6.0	3				X	BG		X	MS
813-01	813	B	A	B&S 191707-063101	8.0	3				X	BG		X	MS
853-03	853	B	D	B&S 190401-013901	8.0	3			X		BS		X	(8)
1054-01	1054	B	D	Wis. TRA10D-285633	10.0	6			X		BS	X		(8)
1254-01	1254	B	D	Wis. TRA12D-335600	12.0	6			X		BS	X		(8)
1256-02	1256	B	D	Wis. TRA12D-335600	12.0		10		X		BUD	X		(8)
1476-01	1476	B	L	Wis. S14D-318974	14.0		12	X			DPW	X		(8)
1477-01	1477	B	L	Wis. S14D-342332	14.0		12	X			DPW	X		(8)
1886-01	1886	8	L	Ko. K482S-35113B	18.0		12	X			DPW		X	(8)
1972														
510-02	510	B	A	B&S 130902-027601	5.0	3				X	BG		X	MS
613-03	613	B	A	B&S 146707-115401	6.0	3				X	BG		X	MS
813-02-03	813	B	A	B&S 191707-063101	8.0	3				X	BG		X	MS
1054-02-04	1054	B	D	Wis. TRA10D-285633	10.0	6			X		BS		X	(8)
1254-02-04	1254	B	D	Wis. TRA12D-335600	12.0	6			X		BS	X		(8)
1254-05-06	1254	B	D	Wis. TRA12D-357448	12.0	6			X		BS	X		(8)
1256-03-04	1256	B	D	Wis. TRA12D-335600	12.0		10		X		BND	X		(8)
06-07				Wis. TRA12D-357448	12.0		10		X		BND	X		(8)
1556-01-02	1556	B	D	Tec. HH150-170001	15.0		10		X		BND	X		(11)
03	1556	B	D	Tec. HH150-170001	15.0		10		X		BND	X		(11)

*B - Bolens MS - Manual Start

**Illustrations see Section 10-1 Pages 1 thru 5

More Footnotes: Section 10-2 Page 20

TRACTOR MODELS AND SPECIFICATIONS (CONT'D)

SKU/ Model	Sales Description	*	Serial Number	**	Engine Model & Type	HP	Transmission					Ign.			Remarks
							Speeds	Eaton Hyd. #	Sund. 15 Hyd.	Bolens	Peerless	Lube/Cap. <small>(see section 10-2 page 20)</small>	Solid State	Battery	
1972 (cont'd)															
1886-02-03	1886	B	NA	L	Ko. K482S-35113B	18.0		12	X			DPW		X	
-04		B	NA												
1886S-05	HT18	B	NA	L	Ko. K482S-35208B	18.0			X	X		CP		X	
1973															
813	G8	B	0400101/Up	A	B&S 191707-063101	8.0	3				X	BG			X
1055	G10	B	0100101/Up	D	Tec. HH100-115181D	10.0	3				X	BS	X		(8)
1453	G14	B	0100101/Up	D	Tec. HH140-160001	14.0	6				X	BS	X		
1656	H16	B	0100101/Up	D	Tec. HH160-170005	16.0		10			X	BS	X		
1666	QT16	B	0100101/Up	L	Onan BF/MS 2425A	16.0			X	X		CP		X	
1886S	HT18	B	0600101/Up	L	Ko. K482S-35208B	18.0			X	X		CP		X	
2086	HT20	B	0100101/Up	L	Ko. K352S-53100A	19.5			X	X		CP		X	
1974															
813	G8	B	0500101/Up	A	B&S 191707-063101	8.0	3				X	BG			X
1055	G10	B	0100101/Up	D	Tec. HH100-115181D	10.0	3				X	BS			(8)
1453	G14	B	0200101/Up	D	Tec. HH140-160001	14.0	6				X	BS	X		
			0300101/Up	D	Tec. HH140-160001	14.0	6				X	BS	X		
1456	H14	B	0100101/Up	D	Tec. HH140-160001	14.0		10			X	BND	X		
			0200101/Up	D	Tec. HH140-160001	14.0		10			X	BND	X		
1660	QS16	B	0100101/Up	L	Ko. K341 AQS-71172A	16.0			X	X		CP		X	
1666	QT16	B	0200101/Up	K	Onan BF/MS2425B&C	16.0			X	X		CP		X	
2087	HT20	B	0200101/Up	L	Ko. K532S-53102A	19.5			X	X		CP		X	
1975															
813	G8	B	0500101/Up	A	B&S 101707-063101	8.0	3				X	BG			X
1055	G10	B	0200101/Up	D	Tec. HH100-115181D	10.0	3				X	BS	X		(8)
1453	G14	B	0300101/Up	D	Tec. HH140-160016	14.0	6				X	BS	X		
1456	H14	B	0200101/Up	D	Tec. HH140-160016	14.0		10			X	DP			
			0300101/Up	D	Tec. HH140-160016	14.0		10			X	DP			
1660	QS16	B	0100101/Up	K	Ko. K341-AQS-71172A	16.0			X	X		CP		X	
			0200101/Up	K	Ko. K341-AQS-71176A	16.0			X	X		CP		X	
1666	QT16	B	0200101/Up	K	Onan BF/MS 2425C	16.0			X	X		CP		X	
			0300101/Up	K	Onan BF/MS 2938D	16.0			X	X		CP		X	
2087	HT20	B	0200101/Up	L	Ko. K532S-53102A	19.5			X	X		CP		X	
				L	Ko. K532S-53138A	19.5			X	X		CP		X	
1976															
813	G8	B	0500101/Up	A	B&S 191707-063101	8.0	3				X	BG			X
			0600101/Up	A	B&S 191707-063101	8.0	3				X	BG			X
855	G9	B	0100101/Up	D	B&S 190417-090201	8.0	3				X	BS			(8)
1055	G10	B	0300101/Up	D	B&S 251417-015901	10.0	3				X	BS			(8)
1255	G12	B	0100101/Up	D	Tec. HH120-120199E	12.0	6				X	BS	X		
1453	G14	B	0300101/Up	D	Tec. HH140-160016	14.0	6				X	BS	X		
1460	GT14	B	0100101/Up	H	Tec. HH140-160027A	14.0					X	BNW	X		5 Spd.
1456	H14	B	0300101/Up	D	Tec. HH140-160016	14.0		10			X	BS	X		(10)
1656	H16	B	0200101/Up	D	Tec. HH160-170056	16.0		10			X	DP	X		(10)
			0300101/Up	D	Tec. HH160-170056	16.0		10			X	DP	X		(10)
1660	QS16	B	0200101/Up	K	Koh. K341AQS-71176A	16.0			X	X		CP		X	
1666	QT16	B	0300101/Up	K	Onan BF/MS 2938D&E	16.0			X	X		CP		X	

*B - Bolens NA - Not Applicable
 **Illustrations see Section 10-1 Pages 1 thru 5

More Footnotes: Section 10-2 Page 20

TRACTOR MODELS AND SPECIFICATIONS (CONT'D)

SKU/ Model	Sales Description	*	Serial Number	**	Engine Model & Type	HP	Transmission						Ign.			Remarks
							Speeds	Eaton Hyd. #	Sund. 15 Hyd.	Bolens	Peerless	Iseki	Lube/Cap. <small>(see section 10-2 page 20)</small>	Solid State	Battery	
1976cont'd																
2087	HT20	B	0200101/Up	L	Ko. K532-53138A	19.5			X	X		CP		X		
1977																
813	G8	B	0600101/Up	A	B&S 191707-063101	8.0	3									X
855	G9	B	0200101/Up	D	B&S 190417-065301	8.0	3					BS				
1055	G10	B	0400101/Up	D	B&S 251417-015901	10.0	6					BS				X
1255	G12	B	0200101/Up	D	Tec. HH120-120199F	12.0	6					BS	X			
1453	G14	B	0400101/Up	D	Tec. HH140-160016	14.0	6					BS	X	X		
1458	H14XL	B	0100101/Up	H	Tec. OH140-160027A	14.0		11				CN	X	X		
1656	H16	B	0400101/Up	D	Tec. OH160-170056A	16.0		10				DP	X			
1660	QS16	B	0200101/Up	K	Koh. K341 AQS-71176A	16.0			X	X		CP			X	
1666	QT16	B	0300101/Up	K	Onan BF/MS 3283F	16.0			X	X		CP			X	
			0400101/Up	K	Onan BF/MS 3283F	16.0			X	X		CP			X	
2087-03	HT20	B		L	Ko. K532S-53138A	19.5			X	X		CP			X	
1978																
813	G8	B	0800101/Up	A	B&S 191707-112501	8.0	3					X				X
1058	H11XL	B	0100101/Up	H	B&S 253417-013101	11.0		11				CN				X
1058GT	H11XL	B	0100101/Up	H	B&S 253417-013101	11.0		11				CN				X
1060	G11XL	B	0100101/Up	H	B&S 253417-013101	11.0	4					BNU				X
1453	G14	B	0500101/Up	D	Tec. OH140-160016JB	14.0	6					BS	X			
1658	H16XL	B	0100101/Up	H	Tec. OH160-170089A	16.0		11				CN	X			
1666	QT16	B	0500101/Up	K	Onan BF/MS 3283F	16.0		11				CP			X	
1666D	QT16	B	0100101/Up	K	Onan BF/MS 3283F	16.0		11				CP			X	
2087	HT20	B	0400101/Up	L	Koh. K532S-53138A	19.5			X	X		CP			X	
TX1300	G152	B	N/A	M	Mitsubishi KE70-11GF	15.0	6					X	EQX			2 Cyl.
TX1300F	G154	B	N/A	M	Mitsubishi KE70-11GF	15.0	6					X	EQX			2 Cyl.
TX1500	G172	B	N/A	M	Mitsubishi KE75-11GF	17.0	6					X	EQX			2 Cyl.
TX1500F	G174	B	N/A	M	Mitsubishi KE75-11GF	17.0	6					X	EQX			2 Cyl.
1979																
812	LT8	B	0200101/Up	A	B&S 191702-565001	8.0	3					X				X
812GT	LT8	B	0100101/Up	A	B&S 191702-565001	8.0	3					X				X
814	LT8E	B	0100101/Up	A	B&S 191707-565101	8.0	3					X				X
814GT	LT8E	B	0100101/Up	A	B&S 191707-565101	8.0	3					X				X
1058	H11XL	B	0200101/Up	H	B&S 253417-013101	11.0		11				CN				X
1058GT	H11XL	B	0100101/Up	H	B&S 253417-013101	11.0		11				CN				X
1060	G11XL	B	0200101/Up	H	B&S 253417-013101	11.0	4					BMU				X
1060GT	G11XL	B	0100101/Up	H	B&S 253417-013101	11.0	4					X				X
1113	LT11	B	0200101/Up	A	B&S 252707-018901	11.0	3					BG				X
1458	H14XL	B	0100101/Up	H	Tec. OH140-160027A	14.0		11				CN	X			
1461	G14XL	B	0100101/Up	H		14.0						BMU	X			
1658	H16XL	B	0200101/Up	H		16.0		11				CN	X			
1661	G16XL	B	0100101/Up	H	Tec. OH160-170089A	16.0		11				BMU	X			
1666	QT17	B	0600101/Up	K	Koh. KT17QS-24106A	17.0		11				CP			X	
			0700101/Up	K	Koh. KT17QS-24106A	14.0		11				CP			X	
1666D	QT17	B	0200101/Up	K	Koh. KT17QS-24106A	17.0		11				CP			X	
2389	HT23	B	0100101/Up	L	Ko. K582S-36272	23.0		11				EP			X	
2389D	HT23	B	0100101/Up	L	Ko. K582S-36272	23.0		11				EP			X	
TX1300	G152	B	N/A	M	Mitsubishi KE70-11GF	15.0	6					X	EQX			Dsl-2Cyl

*B - Bolens N/A - Not Applicable MS - Manual Start

**Illustrations see Section 10-1 Pages 1 thru 5

More Footnotes: Section 10-2 Page 20

TRACTOR MODELS AND SPECIFICATIONS (CONT'D)

SKU/ Model	Sales Description	*	Serial Number	**	Engine Model & Type	HP	Transmission					Ign.				Remarks
							Speeds	Eaton Hyd. #	Bolens	Peerless	Iseki	Lube/Cap. <small>(see section 10-2 page 20)</small>	Solid State	Battery	Flywheel Mag.	
1979 (cont'd)																
TX1300F	G154	B	N/A	M	Mitsubishi KE70-11GF	15.0	6					X	EQX			2Cyl.
TX1500	G172	B	N/A	M	Mitsubishi KE75-11GF	17.0	6					X	EQX			2Cyl.
TX1500F	G174	B	NA	M	Mitsubishi KE75-11GF	17.0	6					X	EQX			2 Cyl.
TS1910	G192	B	NA	S	Isuzu 2AA1	19.0	9					X	EQX			Diesel
TS1910F	G194	B	NA	S	Isuzu 2AA1	19.0	9					X	EQX			Diesel
TS2420	G242	B	NA	S	Isuzu 2AB1	24.0	18					X	EQX			Diesel
TS2420F	G244	B	NA	S	Isuzu 2AB1	24.0	18					X	EQX			Diesel
1980																
812	LT8	B	0500101/Up	A	B&S 191702-565001	8.0	3					X	BG			MS
812GT	LT8	B	0100101/Up	A	B&S 191702-565001	8.0	3					X	BG			MS
814	LT8E	B	0200101/Up	A	B&S 191707-565001	8.0	3					X	BG			
814GT	LT8E	B	0100101/Up	A	B&S 191707-565101	8.0	3					X	BG			
1113	LT11	B	0100101/Up	A	B&S 152707-018901	11.0	3					X	BG			
1113GT	LT11	B	0100101/Up	A	B&S 152707-018901	11.0	3					X	BG			
1060GT	G11XL	B	0100101/Up	H	B&S 153417-013101	10.0	4					X	BMU			
1160	G11XL	B	0100101/Up	H	B&S 153417-013101	11.0	4					X	BMU			
1258	H12XL	B	0100101/Up	H	Tec. OH120-175007	12.0		11	X				CN	X		
1261	G12XL	B	0100101/Up	H	Tec. OH120-175007	12.0	4					X	BMU	X		
1458	H14XL	B	0300101/Up	H	Tec. OH140-160027A	14.0		11	X				CN	X		
1458GT	H14XL	B	0100101/Up	H	Tec. OH140-160027A	14.0		11	X				CN	X		
1461	G14XL	B	0200101/Up	H	Tec. OH140-160027A	14.0	4					X	BMU	X		
1461GT	G14XL	B	0100101/Up	H	Tec. OH140-160027A	14.0	4					X	BMU	X		
1658GT	H16XL	B	0100101/Up	H	Tec. OH160-170089A	16.0		11	X				CN	X		
1661	G16XL	B	0100101/Up	H	Tec. OH160-170089A	16.0	4					X	BMU	X		
1661GT	G16XL	B	0100101/Up	H	Tec. OH160-170089A	16.0	4					X	BMU	X		
1666	QT17	B	0700101/Up	K	Koh. KT17QS-24106A	17.0		11	X				CP	X		
			0800101/Up	K	Koh. KT17QS-24106A	17.0		11	X				CP	X		
1666GT	QT17	B	0100101/Up	K	Koh. KT17QS-24106A	17.0		11	X				CP	X		
1858	H18XL	B	0100101/Up	H	Tec. OH180-180002	18.0		11	X				CN			
2288	HT22	B	0100101/Up	L	Wis.WD2-860-095364-411	20.0		11	X				EP			X
2289	HT20D	B	0100101/Up	L	Wis.WD2-860-095364-411	20.0		11	X				EP			X
2389	HT23	B	0100101/Up	L	Koh. K582S-36272	23.0		11	X				EP		X	
2389GT	HT23	B	0100101/Up	L	Koh K582S-36272	23.0		11	X				EP		X	
TX1300	G152	B	NA	M	Misubishi KE70-11GF	15.0	6						EQ			X
TX1300F	G154	B	NA	M	Misubishi KE70-11GF	15.0	6						EQX			X
TX1500	G172	B	NA	M	Misubishi KE75-11GF	17.0	6						EQ			X
TX1500F	G174	B	NA	M	Misubishi KE75-11GF	17.0	6						EQX			X
TS1910	G192	B	NA	S	Isuzu 2AA1	19.0	9						EQ			X
TS1910S	G194	B	NA	S	Isuzu 2AA1	19.0	9						EQX			X
TS2420	G242	B	NA	S	Isuzu 2AB1	24.0	18						EQ			X
TS2420F	G244	B	NA	S	Isuzu 2AB1	24.0	18						EQX			X
1981																
812EX	LT8	B	0100101/Up	A	B&S 191702-565001	8.0	3					X	BG			MS
812GT	LT8	B	0200101/Up	A	B&S 191702-565001	8.0	3					X	BG			MS
814	LT8E	B	0200101/Up	A	B&S 191707-565101	8.0	3					X	BG			

* B - Bolens N/A - Not Applicable MS - Manual Start

** Illustrations see Section 10-1 Pages 1 thru 5

More Footnotes: Section 10-2 Page 20

TRACTOR MODELS AND SPECIFICATIONS (CONT'D)

SKU/ Model	Sales Description	*	Serial Number	**	Engine Model & Type	HP	Transmission					Ign.			Remarks	
							Speeds	Eaton Hyd. #	Bolens	Peerless	Iseki	Lube/Cap. <small>(see section 10-2 page 20)</small>	Solid State	Battery		Flywheel Mag.
1981 cont'd																
814EX	LT8E	B	0100101/Up	A	B&S 191707-565101	8.0	3				X		BG		X	
814GT	LT8E	B	0100101/Up	A	B&S 191707-565101	8.0	3				X		BG		X	
1113	LT11	B	0100101/Up	A	B&S 252707-018901	11.0	3				X		BG		X	
1113EX	LT11	B	0100101/Up	A	B&S 252707-08901	11.0	3				X		BG		X	
1113GT	LT11	B	0100101/Up	A	B&S 252707-08901	11.0	3				X		BG		X	
1160	G11XL	B	0100101/Up	F	B&S 253417-013101	11.0	4						BMU		X	
		B	0200101/Up	F	B&S 253417-013101	11.0	4						BMU		X	
1258	H12XL	B	0100101/Up	F	Tec. OH120-175007	12.0		11	X				CN	X		
			0200101/Up	F	Tec. OH120-175007A	12.0		11	X				CN	X		
1261	G12XL	B	0200101/Up	F	Tec. OH120-175007	12.0	4			X			BMU	X		
			0300101/Up	F	Tec. OH120-175007A	12.0	4			X			BMU	X		
1458GT	H14XL	B	0100101/Up	F	Tec. OH140-160027A	14.0		11	X				CN	X		
1461GT	G14XL	B	0200101/Up	F	Tec. OH140-160027A	14.0	4			X			BMU	X		
1658GT	H16XL	B	0200101/Up	F	Tec. OH160-170089A	16.0		11	X				CN	X		
1659	H16XT	B	0100101/Up	F	B&S 402437-013901	16.0		11	X				CN	X		
1661	G16XL	B	0200101/Up	F	Tec. OH160-170089B	16.0	4			X			BMU	X		
			0300101/Up	F	Tec. OH160-170089B	16.0	4			X			BMU	X		
1661GT	G16XL	B	0200101/Up	F	Tec. OH160-170089B	16.0	4			X			BMU	X		
1662	G16XT	B	0100101/Up	F	B&S 402437-013901	16.0		11	X				BMU	X		
1666	QT17	B	0900101/Up	I	Koh. KT17QS-24152	17.0		11	X				CP	X		
			1000101/Up	I	Koh. KT17QS-24152	17.0		11	X				CP	X		
1666GT	QT17	B	0200101/Up	I	Koh. KT17QS-24152	17.0		11	X				CP	X		
1858	H18XL	B	0200101/Up	F	Tec. OH180-180002A	18.0		11	X				CN	X		
2289	HT20D	B	0100101/Up	J	Wis.WD2-860-095364-41	20.0		11	X				EP		X	2 Cyl.
2389	HT23	B	0200101/Up	J	Koh. K582S-36272	23.0		11	X				EP	X		
2389GT	H23	B	0100101/Up	J	Koh. K582S-36272	23.0		11	X				EP	X		
TX1300/F	G152/154	B	NA	M	Mitsubishi KE70-11GF	15.0	6						EQX		X	2 Cyl.
TX1502/1504	G152/154	B	NA	P	Mitsubishi K3A-11A	15.0	6						EQX		X	3 Cyl.
TX1500/F	G172/174	B	NA	M	Mitsubishi KE75-11GF	17.0	6						EQX		X	2 Cyl.
TX1704	G174	B	NA	P	Mitsubishi K3B-11B	17.0	6						EQX		X	3 Cyl.
TS1910/F	G192/194	B	NA	S	Isuzu 2AA1	19.0	9						EQX		X	2 Cyl.
TS2420/F	G242/244	B	NA	S	Isuzu 2AB1	24.0	18						EQX		X	2 Cyl.
TS2902/2904	G292/294	B	NA	S	Isuzu 3AA1	29.0	8						EQX		X	3 Cyl.
1982																
812GT	LT8	B	0300101/Up	A	B&S 191702-565001	8.0	3			X			BG		X	MS
814	LT8E	B	0200101/Up	A	B&S 191707-565101	8.0	3			X			BG		X	
814GT	LT8E	B	0300101/Up	A	B&S 191707-565101	8.0	3			X			BG		X	
1011G	G11LT	B	0100101/Up	F	B&S 252707-022401	11.0	5			X			AJ		X	
1011GX	G11LT	B	0100101/Up	F	B&S 252707-022401	11.0	5			X			AJ		X	
1011H	H11LT	B	0100101/Up	F	B&S 252707-022401	11.0		11	X				BKC		X	
1011HX	H11LT	B	0100101/Up	F	B&S 252707-022401	11.0		11	X				BKC		X	
1113	LT11	B	0200101/Up	A	B&S 252707-018901	11.0	3			X			BG		X	
1113GT	LT11	B	0300101/Up	A	B&S 252707-018901	11.0	3			X			BG		X	
1658GT	H16XL	B	0200101/Up	F	Tec. OH160-170089A	16.0		11	X			X	CN			
1659	H16XT	B	0100101/Up	F	B&S 402437-013901	16.0		11	X				CN			
1662	G16XT	B	0100101/Up	F	B&S 402437-013901	16.0	4			X			BMU		X	

* B - Bolens

N/A - Not Applicable

MS - Manual Start

** Illustrations see Section 10-1 Pages 1 thru 5

More Footnotes: Section 10-2 Page 20

TRACTOR MODELS AND SPECIFICATIONS (CONT'D)

SKU/ Model	Sales Description	*	Serial Number	**	Engine Model & Type	HP	Transmission					Ign.				Remarks
							Speeds	Eaton Hyd. #	Bolens	Peerless	Iseki	Lube/Cap. <small>(see section 10-2, page 20)</small>	Solid State	Battery	Flywheel Mag.	
1982 cont'd																
1663	G16X1	B	0100101/Up	F	Tec. OH160-170089B	16.0	4			X		BMU	X			
1664	H16X1	B	0100101/Up	F	Tec. OH160-170089B	16.0	11	X				CN	X			
1666	QT17	B	1000101/Up	I	Koh. KT17QS-24197	17.0	11	X				CP		X		
2016G	G16YT	B	0100101/Up	F	B&S 402707-013801	16.0	5			X		AJ	X			
2016GX	G16YT	B	0100101/Up	F	B&S 402707-013801	16.0	5			X		AJ	X			
2388	HDT1000	B	0100101/Up	J	Mitsubishi K3D-61FG	23.0	11	X				EP		X		
2389	HT23	B	0100101/Up	J	Koh. K582S-36272	23.0	11	X				EP			X	3 Cyl.
TX1502/1504	G152/154	B	NA	P	Mitsubishi K3A-11A	15.0	6				X	EQX				3 Cyl.
TX1704	G174	B	NA	P	Mitsubishi D3B-11B	17.0	6				X	EQX				3 Cyl.
TS1910/F	G192/194	B	NA	S	Isuzu 2AA1	19.0	9				X	EQX				3 Cyl.
TS2420/F	G242/244	B	NA	S	Isuzu 2AB1	24.0	18				X	EQX				3 Cyl.
TS2902/2904	G292/294	B	NA	S	Isuzu 3AA1	29.0	8				X	ERX				3 Cyl.
1983																
1011G	G11LT	B	0200101/Up	F	B&S 252707-064001	11.0	5			X		AJ			X	
1011GA	G11LT	B	0100101/Up	F	B&S 252707-064001	11.0	5			X		AJ			X	
1011H	H11LT	B	0200101/Up	F	B&S 252707-065001	11.0	7			X		BKC			X	
1011HA	H11LT	B	0100101/Up	F	B&S 252707-064001	11.0	7			X		BKC			X	
1463	1400G	B	0100101/Up	F	Tec. OH140-160027C	14.0	4			X		BMU	X			
1663	G16X1	B	0100101/Up	F	Tec. OH160-170089B	16.0	4			X		BMU	X			
1664	H16X1	B	0100101/Up	F	Tec. OH160-170089B	16.0	11	X				CN	X			
1666	QT17	B	1000101/Up	I	Koh. KT17QS-24197	17.0	11	X				CP		X		
1667	1600G	B	0100101/Up	F	B&S 402437-066601	16.0	4			X		BMU	X			
1668	1600H	B	0100101/Up	F	B&S 402437-066601	16.0	11	X				YN	X			
1966	1900	B	0200101/Up	I	Koh. KT19QS-49139	19.0	11	X				CP		X		
2016G	G16YT	B	0200101/Up	B	B&S 402707-013801	16.0	5			X		AJ	X			
2016GA	G16YT	B	0100101/Up	B	B&S 402702-013801	16.0	5			X		AJ	X			
1966	1900	B	0200101/Up	I	Koh. KT19QS-49139	19.0	11	X				CPE		X		
2388	HDT1000	B	0200101/Up	J	Mitsubishi K3D-G1FG	23.0	11	X				P			X	3 Cyl.
2389	HT23	B	0200101/Up	J	Koh. K582S-36272	23.0	11	X				EP		X		
5017G	1700G	B	0100101/Up	G	Koh. KT17QS-24218	17.0	4			X		BMU		X		
5017H	1700H	B	0100101/Up	G	Koh. KT17QS-24218	17.0	11	X				CN		X		
TX1502/1504	G152/154	B	NA	P	Mitsubishi K3A-11A	15.0	6				X	EQX			X	3 Cyl.
TX1704	G174	B	NA	P	Mitsubishi K3B-11	17.0	6				X	EQX			X	3 Cyl.
TS1902/1904	G192/194	B	NA	S	Isuzu 2AA1	19.0	9				X	EQX			X	3 Cyl.
TS2420/F	G242/244	B	NA	S	Isuzu 2AB1	24.0	18				X	EQX			X	3 Cyl.
TE2701/2704	G272/274	B	NA	R	Isuzu 3AE1	27.0	8				X	EQX			X	3 Cyl.
TS2902/2904	G292/294	B	NA	S	Isuzu 3AA1	29.0	8				X	EQX			X	3 Cyl.
1984																
1011GA	G11LT	B	0200101/Up	F	B&S 252707-064001	11.0	5			X		AJ			X	
1463	1400G	B	0200101/Up	F	Tec. OH140-160027C	14.0	4			X		BMU	X			
1667	1600G	B	0200101/Up	F	B&S 402437-0666-01	16.0	4			X		BMU	X			
1668	1600H	B	0200101/Up	F	B&S 402437-0666-01	16.0	11	X				YN	X			
2016	G16YT	B	0200101/Up	B	B&S 402707-0138-01	16.0	5			X		AJ*				
2016GA	G16YT	B	0200101/Up	B	B&S 402707-0138-01	16.0	5			X		AJ	X			

B - Bolens N/A - Not Applicable MS - Manual Start
 ** Illustrations see Section 10-1 Pages 1 thru 5

More Footnotes: Section 10-2 Page 20

TRACTOR MODELS AND SPECIFICATIONS (CONT'D)

SKU/ Model	Sales Description	*	Serial Number	**	Engine Model & Type	HP	Transmission						Ign.			Rems
							Speeds	Eaton Hyd. #	Bolens	Peerless	Iseki	Lube/Cap. <small>(see section 10-2 page 20)</small>	Solid State	Battery	Flywheel Mag.	
1984																
3011G	ST110	B	0100101/Up	C	B&S 253707-0144-01	11.0	5			X		AJ	X			
3016H	ST160	B	0100101/Up	C	B&S 402707-0144-01	16.0		7	X			BKY	X			
3016G	ST160	B	0100101/Up	C	B&S 402707-0144-01	16.0	4					AJ	X			
1966	1900	B	0300101/Up	I	Koh. KT19QS-49139	19.0		11	X			CP		X		
5017G	1700G	B	0200101/Up	G	Koh. KT17QS-24314	17.0	4			X		BMU		X		
5017H	1700H	B	0200101/Up	G	Koh. KD17QS-24314	17.0		11	X			YN		X		
TX1704	G174	B	NA	P	Mitsubishi K3B-11B	17.0	6				X	EQX			X	3 Cyl.
TE2102/2104	G212/214	B	NA	O	Iseki E3AF1	21.0	8				X	EQX			X	3 Cyl.
TE2701/2704	G272/274	B	NA	R	Isuzu3AE1	27.0	8				X	EQX			X	3 Cyl.
TS2902/2904	G292/294	B	NA	S	Isuzu 3AA1	29.0	8				X	EQX			X	3 Cyl.
1985																
1463	1400G	B	0300101/Up	D	Tec. OH140-160027C	14.0	4			X		BMU	X			
1667	1600G	B	0300101/Up	D	B&S 402437-0700-01	16.0	4			X		BMU	X			
1668	1600H	B	0300101/Up	D	B&S 402437-0700-01	16.0		11	X			CN	X			
3011G	ST110	B	0200101/Up	C	B&S 253707-0144-01	11.0	5			X		AJ	X			
3011GA	ST110	B	0100101/Up	C	B&S 253707-0144-01	11.0	5			X		AJ	X			
3016GX	ST110	B	0100101/Up	C	B&S 2253707-0144-01	11.0	5			X		AJ	X			
3011H	ST110	B	0100101/Up	C	B&S 253707-0144-01	11.0		7		X		BKY	X			
3011HA	ST110	B	0100101/Up	C	B&S 253707-0144-01	11.0		7		X		BKY	X			
3016G	ST160	B	0200101/Up	C	B&S 402707-0160-01	16.0	5			X		AJ	X			
3016GA	ST160	B	0100101/Up	C	B&S 402707-0160-01	16.0	5			X		AJ	X			
3016GX	ST160	B	0100101/Up	C	B&S 402707-0160-01	16.0	5			X		AJ	X			
3016H	ST160	B	0200101/Up	C	B&S 402707-0160-01	16.0		7		X		BKY	X			
3016HA	ST160	B	0100101/Up	C	B&S 402707-0160-01	16.0		7		X		BKY	X			
1966	1900	B	0300101/Up	I	Koh. KT19QS-49206	19.0		11	X			CN		X		
2389S	HT23	B	0200101/Up	J	Koh. K582S-36328	23.0		11	X			EP		X		
5017G	1700G	B	0300101/Up	G	Koh KT17QS-24314	17.0	4			X		BMU		X		
5017H	1700H	B	0300101/Up	G	Koh KT17QS-24314	17.0		11	X			YN		X		
5019H	1900H	B	0100101/Up	G	Koh. KT19QS-49226	19.0		11	X			EN		X		
TX1502/1504	G152/154	B	NA	P	Mitsubishi K3A-11A	15.0	6				(6)	EQX			X	3 Cyl.
TX1704	G174	B	NA	P	Mitsubishi K3B-11B	17.0	6				(6)	EQX			X	3 Cyl.
TX1704H	H174	B	NA	P	Mitsubishi K3B-11B	17.0					(7)	EQX			X	3 Cyl.
TE2102/2104	G212/214	B	NA	Q	Iseki E3AF1	21.0	8				(6)	EQX			X	3 Cyl.
TE2702/2704	G272/274	B	NA	R	Iseki E3AE1	27.0	8				(6)	EQX			X	3 Cyl.
TS2902/2904	G292/294	B	NA	S	Iseki E3AF1	29.0	8				(6)	ERX			X	3 Cyl.
1986																
1467	1402G	B	0100101/Up	F	B&S 400437-0122-01	14.0	4			X		BMU	X			
1668	1600H	B	0400101/Up	F	B&S 402437-0700-01	16.0		11	X			YN	X			
2389S	HT23	B	0300101/Up	J	Koh. K582S-36328	23.0		11	X			EP				
3011G	ST110	B	0300101/Up	C	B&S 253707-0144-01	11.0	5			X		AJ	X			
3011GA	ST110	B	0200101/Up	C	B&S 253707-0144-01	11.0	5			X		AJ	X			
3011GX	ST110	B	0200101/Up	C	B&S 253707-0144-01	11.0	5			X		AJ	X			
3012G	ST125	B	0100101/Up	C	B&S 404707-0117-01	11.0	5			X		AJ	X			
3012GA	ST125	B	0100101/Up	C	B&S 404707-0117-01	11.0	5			X		AJ	X			
3012GX	ST125	B	0100101/Up	C	B&S 404707-0117-01	11.0	5			X		AJ	X			
3012H	ST125	B	0100101/Up	C	B&S 404707-0117-01	12.0		7		X		BKY	X			

* B - Bolens N/A - Not Applicable MS - Manual Start

** Illustrations see Section 10-1 Pages 1 thru 5

More Footnotes: Section 10-2 Page 20

TRACTOR MODELS AND SPECIFICATIONS (CONT'D)

SKU/ Model	Sales Description	*	Serial Number	**	Engine Model & Type	HP	Transmission					Ign.			Remarks
							Speeds	Eaton Hyd. #	Bolens	Peerless	Iseki	Lube/Cap. <small>(see section 10-2, page 20)</small>	Solid State	Battery	
1986															
3012HA	ST125	B	0100101/Up	C	B&S 404707-0117-01	12.0	7		X		BKY	X			
3012HX	ST125	B	0100101/Up	C	B&S 404707-0117-01	12.0	7		X		BKY	X			
3016G	ST160	B	0300101/Up	C	B&S 402707-0160-01	16.0	5		X		AJ	X			
3016GA	ST160	B	0200101/Up	C	B&S 402707-1060-01	16.0	5		X		AJ	X			
3016GX	ST160	B	0200101/Up	C	B&S 402707-0160-01	16.0	5		X		AJ	X			
3016H	ST160	B	0300101/Up	C	B&S 402707-0160-01	16.0	7		X		BKY	X			
3016HA	ST160	B	0200101/Up	C	B&S 402707-1060-01	16.0	7		X		BKY	X			
3118G	ST180	B	0100101/Up	C	B&S 422707-1050-01	18.0	4		X		BM	X			
3211G	ST110	B	0100101/Up	C	B&S 253707-0144-01	11.0	5		X		AH	X			(1)
3211GA	ST110	B	0100101/Up	C	B&S 253707-0144-01	11.0	5		X		AH	X			(1)
3211GX	ST110	B	0100101/Up	C	B&S 253707-0144-01	11.0	5		X		AH	X			(1)
5018H	1800H	B	0100101/Up	G	Koh. M18QS-24512	18.0	11	X			YN	X			
5020H	2000H	B	0100101/Up	G	Koh. M20QS-49508	20.0	11	X			EN	X			
TX1502	G152	B	NA	P	Mitsubishi K3A-11a	15.0	6			(6)	EQ		X		3 Cyl.
TX1502H	H152	B	NA	P	Mitsubishi K3A-11A	15.0				(7)	EQ		X		3 Cyl.
TX1704	G174	B	NA	P	Mitsubishi K3B-11B	17.0	6			(6)	EQX		X		3 Cyl.
TX1704H	H174	B	NA	P	Mitsubishi K3B-11B	17.0				(7)	EQX		X		3 Cyl.
TE2102/2104	G212/214	B	NA	Q	Iseki E3AF1	21.0	12			(6)	EQX		X		3 Cyl.
TE2702/2704	G272/274	B	NA	R	Isuzu 3AE1	27.0	18			(6)	EQX		X		3 Cyl.
1987															
467	1402G	B	0100101/Up	F	B&S 400437-0122-01	14.0	4		X		BMU	X			
2389S	HT23	B	0400101/Up	J	K582S-36328	23.0	11	X			EP		X		
1668	1600H	B	0300101/Up	F	B&S 402437-0700-01	16.0	11	X			YN	X			
1667	1600G	B	0400101/Up	F	B&S 402437-0700-01	16.0	4		X		BMU	X			
3011GF	ST110	B	0100101/Up	C	B&S 253707-0144-01	11.0	5		X		AH	X			
3011GS	ST110	B	0100101/Up	C	B&S 253707-0144-01	11.0	5		X		AH	X			
3012G	ST125	B	0200101/Up	C	B&S 404707-0117-01	12.5	5		X		AH	X			
3012GA	ST125	B	0200101/Up	C	B&S 404707-0117-01	12.5	5		X		AH	X			
3012GX	ST125	B	0200101/Up	C	B&S 404707-0117-01	12.5	5		X		AH	X			
3012H	ST125	B	0200101/Up	C	B&S 404707-0117-01	12.5	7		X		BKY	X			
3012HA	ST125	B	0200101/Up	C	B&S 404707-0117-01	12.5	7		X		BKY	X			
3012HX	ST125	B	0200101/Up	C	B&S 404707-0117-01	12.5	7		X		BKY	X			
3014H	HP14	B	0100101/Up	C	B&S 400707-0130-01	14.0	7		X		BKY	X			A.J. Foyt
3016G	ST160	B	0400101/Up	C	B&S 402707-0160-01	16.0	5		X		AH	X			
3016GA	ST160	B	0300101/Up	C	B&S 402707-0160-01	16.0	5		X		AH	X			
3016GX	ST160	B	0300101/Up	C	B&S 402707-0160-01	16.0	5		X		AH	X			
3016H	ST160	B	0400101/Up	C	B&S 402707-0160-01	16.0	7		X		BKY	X			
3016HA	ST160	B	0300101/Up	C	B&S 402707-1060-01	16.0	7		X		BKY	X			
3112G	ST120	B	0100101/Up	C	B&S 281707-0127-01	12.5	5		X		AG	X			
3112GA	ST120	B	0100101/Up	C	B&S 281707-0127-01	12.5	5		X		AG	X			(3)
3112GX	ST120	B	0100101/Up	C	B&S 281707-0127-01	12.5	5		X		AG	X			(1)(3)
3118G	ST180	B	0200101/Up	C	B&S 422707-0150-01	18.0	4		X		BM	X			(1)(3)
3212G	ST120	B	0100101/Up	C	B&S 281707-0127-01	12.0	5		X		AH	X			(1)(3)
3212GA	ST120	B	0100101/Up	C	B&S 281707-0127-01	12.0	5		X		AH	X			(1)(3)
3212GX	ST120	B	0100101/Up	C	B&S 281707-0127-01	12.0	5		X		AH	X			(1)(3)
5018H	1800H	B	0100101/Up	G	Koh. M18QS-24512	18.0	11	X			YN	X			

* B - Bolens N/A - Not Applicable MS - Manual Start

** Illustrations see Section 10-1 Pages 1 thru 5

More Footnotes: Section 10-2 Page 20

TRACTOR MODELS AND SPECIFICATIONS (CONT'D)

SKU/ Model	Sales Description	*	Serial Number	**	Engine Model & Type	HP	Transmission					Ign.			Remarks
							Speeds	Eaton Hyd. #	Bolens	Peerless	Iseki	Lube/Cap. <small>(see section 10-2 page 20)</small>	Solid State	Battery	
1987 (cont'd)															
5020H	2000H	B	0100101/Up	G	Koh. M20QS-49508	20.0	11	X			EN	X			
TX1502	G152	B	NA	P	Mitsubishi K3A-11A	15.0	6			(6)	EQ		X	3 Cyl.	
TX1502H	H152	B	NA	P	Mitsubishi K3A-11A	15.0				(7)	EQ		X	3 Cyl.	
TX1704	G174	B	NA	P	Mitsubishi K3B-11B	17.0	6			(6)	EQX		X	3 Cyl.	
TX1704H	H174	B	NA	P	Mitsubishi K3B-11B	17.0				(7)	EQX		X	3 Cyl.	
TE2102/2104	G212/214	B	NA	Q	Iseki E3AF1	21.0	12			(6)	EQX		X	3 Cyl.	
TE2702/2704	G272/274	B	NA	R	Isuzu 3AE1	27.0	18			(6)	EQX		X	3 Cyl.	
1988															
1467	1402G	B	0200101/Up	C	B&S 400437-1275-01	14.0	4		X		BMU	X			
1668	1600H	B	0500101/Up	C	B&S 402437-1205-01	16.0	11	X			YN	X			
3016GA	ST160	B	0400101/Up	C	B&S 402707-0160-01	16.0	5		X		AJ	X			
3016GX	ST160	B	0400101/Up	C	B&S 402707-0160-01	16.0	5		X		AJ	X			
3016HA	ST160	B	0400101/Up	C	B&S 402707-0160-01	16.0	7		X		BKY	X			
3018G	ST180	B	0100101/Up	C	B&S 422707-1206-01	18.0	5		X		AJ	X			
3018GA	ST180	B	0100101/Up	C	B&S 422707-1206-01	18.0	5		X		AJ	X			
3018GX	ST180	B	0100101/Up	C	B&S 422707-1206-01	18.0	5		X		AJ	X			
3018H	ST180	B	0100101/Up	C	B&S 422707-1207-01	18.0	7		X		BKY	X			
3018HA	ST180	B	0100101/Up	C	B&S 422707-1207-01	18.0	7		X		BKY	X			
3018HX	ST180	B	0100101/Up	C	B&S 422707-1207-01	18.0	7		X		BKY	X			
3112HX	ST120	B	0100101/Up	C	B&S 281707-0127-01	12.5	7			X	BKY	X		(3)	
3114G	ST140	B	0100101/Up	C	B&S 400707-1205-01	14.0	5		X		AJ	X		(3)	
3114GA	ST140	B	0100101/Up	C	B&S 400707-1205-01	14.0	5		X		AJ	X		(3)	
3114GX	ST140	B	0100101/Up	C	B&S 400707-1205-01	14.0	5		X		AJ	X		(3)	
3114H	ST140	B	0100101/Up	C	B&S 400707-1205-01	14.0	7		X		BKY	X		(3)	
3114HA	ST140	B	0100101/Up	C	B&S 400707-1205-01	14.0	7		X		BKY	X		(3)	
3114HX	ST140	B	0100101/Up	C	B&S 400707-1205-01	14.0	7		X		BKY	X		(3)	
3212G	ST120	B	0200101/Up	C	B&S 282707-0127-01	12.0	5		X		AH	X		(1)(3)	
3212GA	ST120	B	0200101/Up	C	B&S 282707-0127-01	12.0	5		X		AH	X		(1)(3)	
3212GX	ST120	B	0200101/Up	C	B&S 282707-0127-01	12.0	5		X		AH	X		(1)(3)	
3212H	ST120	B	0100101/Up	C	B&S 282707-0127-01	12.0	7		X		BKY	X		(3)	
3212HA	ST120	B	0100101/Up	C	B&S 282707-0127-01	12.0	7		X		BKY	X	(3)		
5018H	1800H	B	0100101/Up	F	Koh. M18QS-24512	18.0	11	X			YN	X			
5020H	2000H	B	0100101/Up	G	Koh. M20QS-49508	20.0	11	X			EN	X			
5117H	DGT1700	B	0100101/Up	H	Mitsubishi L3A-61BG	17.0	11	X			EN		X	3 Cyl.	
			0200101/Up	H	Mitsubishi L3A-6186	17.0	11	X			EN		X	3 Cyl.	
5118H	GT1800	B	0100101/Up	H	Koh. M18QS-24599	18.0	11	X			YN	X			
			0200101/Up	H	Koh. M18QS-24599	18.0	11	X			YN	X			
5120H	GT2000	B	0100101/Up	H	Koh. M20QS-49565	20.0	11	X			EN	X			
			0200101/Up	H	Koh. M20QS-49565	20.0	11	X			EN	X			
TX1502	G152	B	NA	P	Mitsubishi K3A-11A	15.0	6			(6)	EQ		X	3 Cyl.	
TX1502H	H152	B	NA	P	Mitsubishi K3A-11A	15.0				(7)	EQX		X	3 Cyl.	
TX1704	G174	B	NA	P	Mitsubishi K3B-11B	17.0	6			(6)	EQX		X	3 Cyl.	
TX1704H	H174	B	NA	P	Mitsubishi K3B-11B	17.0				(7)	EQX		X	3 Cyl.	
TE2102/2104	G212	B	NA	Q	Iseki E3AF1	21.0	12			(6)	EQX		X	3 Cyl.	
TE2702/2704	G272	B	NA	R	Isuzu 3AE1	27.0	18			(6)	EQX		X	3 Cyl.	

* B - Bolens N/A - Not Applicable MS - Manual Start

** Illustrations see Section 10-1 Pages 1 thru 5

More Footnotes: Section 10-2 Page 20



TRACTOR MODELS AND SPECIFICATIONS (CONT'D)

SKU/ Model	Sales Description	*	Serial Number	**	Engine Model & Type	HP	Transmission					Ign.		Remarks
							Speeds	Eaton Hyd. #	Bolens	Peerless	Iseki	Lube/Cap. <small>(see section 10-2 page 20)</small>	Solid State	
1989														
1467	14026G	B	0300101/Up	F	B&S 400447-1206-01	14.0	4			X		BMU	X	(4)(5)
1668	1600H	B	0600101/Up	F	B&S 402447-1220-01	16.0		11	X			YN	X	(4)(5)
1668R		TB	B050100101/Up	F	B&S 402447-1220-01	16.0		11	X			YN	X	(4)(5)
3010G	ST100	B	0100101/Up	C	B&S 255707—123-01	10.0	5			X		AG	X	(1)
3018G	ST180	B	0200101/UP	C	B&S 422707-1207-01	18.0	5			X		AJ	X	
3018GA	ST180	B	0200101/UP	C	B&S 422707-1207-01	18.0	5			X		AJ	X	
3018GX	ST180	B	0200101/UP	C	B&S 422707-1207-01	18.0	5			X		AJ	X	
3018H	ST180	B	0200101/UP	C	B&S 422707-1207-01	18.0		750				MY	X	
3018HA	ST180	B	0200101/UP	C	B&S 422707-1207-01	18.0		750				MY	X	
3018HX	ST180	B	0200101/UP	C	B&S 422707-1207-01	18.0		750				MY	X	
3112HX	ST100	B	0200101/UP	C	B&S 281707-0127-01	12.5		7		X		BKY	X	
3114G	ST140	B	0200101/UP	C	B&S 400707-1205-01	14.0	4			X		BMU	X	(3)
3114GA	ST140	B	0200101/UP	C	B&S 400707-1205-01	14.0	4			X		BMU	X	(3)
3114GR	ST140	TB	B0300101/UP	C	B&S 400707-1205-01	14.0	4			X		BMU	X	(3)
3114GX	ST140	B	0200101/UP	C	B&S 400707-1205-01	14.0	4			X		BMU	X	(3)
3114H	ST140	B	0200101/UP	C	B&S 400707-1205-01	14.0		750				MY	X	(3)
3114HA	ST140	B	0200101/UP	C	B&S 400707-1205-01	14.0		750				MY	X	(3)
3114HR	ST140	TB	B400101/UP	C	B&S 400707-1205-01	14.0		750				MY	X	(3)
3114HX	ST140	B	0200101/UP	C	B&S 400707-1205-01	14.0		750				MY	X	(3)
3212G	ST120	B	0300101/UP	C	B&S 400707-1205-01	12.0	5			X		AH	X	(1)(3)
3212GA	ST120	B	0300101/UP	C	B&S 400707-1205-01	12.0	5			X		AH	X	(1)(3)
3212GR	ST120	TB	B0100101/UP	C	B&S 400707-1205-01	12.0	5			X		AH	X	(1)(3)
3212GX	ST120	B	0300101/UP	C	B&S 400707-1205-01	12.0	5			X		AH	X	(1)(3)
3212H	ST120	B	0200101/UP	C	B&S 400707-1205-01	12.0		750				MY	X	(3)
3212HA	ST120	B	0200101/UP	C	B&S 400707-1205-01	12.0		750				MY	X	(3)
3212HR	ST120	TB	B0200101/UP	C	B&S 400707-1205-01	12.0		750				MY	X	(3)
5117H	DGT1700	B	0200101/UP	H	Mitsubishi L3A-61BG	17.0		11	X			EN	X	3 Cyl
5118H	GT1800	B	0200101/UP	H	Koh. M18QS-24599	18.0		11	X			YN	X	
5118HR	GT1800	TB	B0600101/UP	H	Koh. M18QS-24599	18.0		11	X			YN	X	
5118HS	GT1800	B	0200101/UP	H	Koh. M18QS-24599	18.0		11	X			YN	X	Pwr Steer
5120H	GT2000	B	0200101/UP	H	Koh. M18QS-49565	20.0		11	X			EN	X	
TX1502	G152	B	NA	P	Mitsubishi K3A-11A	15.0	6				(6)	EQ	X	3 Cyl (2)
TX1502H	H152	B	NA	P	Mitsubishi K3A-11A	15.0					(7)	EQX	X	3 Cyl (2)
TX1704	G174	B	NA	P	Mitsubishi K3B-11B	17.0	6				(6)	EQX	X	3 Cyl.(2)
TX1704H	H174	B	NA	P	Mitsubishi K3B-11B	17.0					(7)	EQX	X	3 Cyl.(2)
TE2102/2104	G212	B	NA	Q	Iseki E3AF1	21.0	12				(6)	EQX	X	3 Cyl (2)
TE2702/2704	G272	B	NA	R	Isuzu 3AE1	27.0	18				(6)	EQX	X	3 Cyl.(2)
1990														
1468	1468	B	0100101/UP	F	B&S 290447-0108-01	14.0	4			X		BMU		(4)(5)
1669	1469	B	0100101/UP	F	B&S 303447-0131-01	16.0		110	X			YN		(4)(5)
1669L	1669	B	0100101/UP	F	B&S 303557-0131-01	16.0		110	X			YN		(4)(5)
3016HR	16 Hydro	TB	B360100101/UP	C	B&S 5402707-0160-01	16.0		750				MY		
3016HRS	16 Hydro	TB	B370100101/UP	C	B&S 5402707-0160-01	16.0		750				MY		
3018H	ST180	B	0200101/UP	C	B&S 422707-1207-02	18.0		750				MY		
3018HX	ST180	B	0300101/UP	C	B&S 422707-1207-02	18.0		750				MY		
3112HX	ST120	B	0300101/UP	C	B&S 281707-0127-01	12.5		7		X		BKY		(1)(3)

* B - Bolens

TB - Troy-Bilt

** Illustrations see Section 10-1 Pages 1 thru 5

N/A- Not Applicable More Footnotes: Section 10-2 Page 20

TRACTOR MODELS AND SPECIFICATIONS (CONT'D)

SKU/ Model	Sales Description	*	Serial Number	**	Engine Model & Type	HP	Transmission					Ign.		Remarks
							Speeds	Eaton Hyd. #	Bolens	Peerless	Iseki	Lube/Cap. <small>(see section 10-2 page 20)</small>	Solid State	
1990														
(cont'd)														
3212G	ST120	B	0300101/UP	C	B&S 281707-0127-01	12.0	5			X		AG		(1)(3)
3212GX	ST120	B	0300101/UP	C	B&S 281707-0127-01	12.0	5			X		AG		(1)(3)
3212H	ST120	B	0200101/UP	C	B&S 281707-0127-01	12.0		750				MY		(3)
3214G	ST140	B	0100101/UP	C	B&S 294777-0015-02	14.0	5			X		AJ		(5)
3214GR	14 Gear	TB	B030100101/UP	C	B&S 294777-0015-02	14.0	5			X		AJ	X	(5)
3214GX	ST140	B	0100101/UP	C	B&S 294777-0015-02	14.0	5			X		AJ	X	(5)
3214H	ST140	B	0100101/UP	C	B&S 294777-0015-02	14.0		750				MY	X	(5)
3214HR	14 Hydro	TB	B0400101/UP	C	B&S 294777-0015-02	14.0		750				MY	X	(5)
3214HRS	14 Hydro	TB	B0400101/UP	C	B&S 294777-0015-02	14.0		750				MY	X	(5)
3214HX	ST140	B	0100101/UP	C	B&S 294777-0015-02	14.0		750				MY	X	(5)
3216X	ST160	B	0100101/UP	C	B&S 303777-0017-02	16.0		750				MY	X	(5)
3216HX	ST160	B	0100101/UP	C	B&S 303777-0017-02	16.0		750				MY	X	(5)
3312GR	12 Gear	TB	B010200101/UP	C	B&S 281707-0127-01	12.0	5				X	AH	X	(1)(3)
3312GRS	12 Gear	TB	B380100101/UP	C	B&S 281707-0127-01	12.0	5				X	AH	X	(1)(3)
3312HR	12 Hydro	TB	B020100101/UP	C	B&S 281707-0127-01	12.0		750				MY	X	(3)
3312HRS	12 Hydro	TB	B390100101/UP	C	B&S 281707-0127-01	12.0		750				MY	X	(3)
5117H	DGT1700	B	0300101/UP	G	Mitsubishi L3A-6186	17.0		11	X			EN	X	3 Cyl
5118HRS	GT1800	B	B060100101/UP	G	Koh. M18QS-24599	18.0		11	X			YN	X	
5118HS	GT1800	B	0200101/UP	G	Koh. M18QS-24599	18.0		11	X			YN	X	Pwr Steer
5120H	GT2000	B	0300101/UP	G	Koh. M20QS-49565	20.0		11	X			EN	X	
TX1502	G152	B	NA	P	Mitsubishi K3A-11A	15.0	6				(6)	EQ	X	3 Cyl.
TX1502H	H152	B	NA	P	Mitsubishi K3A-11A	15.0					(7)	EQX	X	3 Cyl. (2)
TX1704	G174	B	NA	P	Mitsubishi K3P-11B	17.0	6				(6)	EQX	X	3 Cyl. (2)
TX1704H	H174	B	NA	P	Mitsubishi K38-11B	17.0					(7)	EQX	X	3 Cyl. (2)
1991														
1468	1468	B	0100101/UP	F	B&S 290477-0108-01	4.0	4			X		BMU	X	(4)(5)
1669L	1669	B	0100101/UP	F	B&S 303447-0131-01	16.0		11	X			YN	X	(4)(5)
3112HX	ST1220	B	0400101/UP	C	B&S 281707-0127-01	12.0		7		X		BKY	X	(3)
3212G	ST120	B	0400101/UP	C	B&S 281707-0127-02	12.0	5			X		AH	X	(1)(3)
3212GX	ST120	B	0400101/UP	C	B&S 281707-0127-02	12.0	5			X		AH	X	(1)(3)
3212H	ST120	B	0200101/UP	C	B&S 281707-0127-02	12.0		750				MY	X	(3)
3214H	ST140	B	0200101/UP	C	B&S 294777-0015-02	14.0		750				MY	X	(3)
3214HX	ST140	B	0200101/UP	C	B&S 294777-0015-02	14.0		750				MY	X	(3)
3216H	ST160	B	0200101/UP	C	B&S 303777-0017-02	16.0		750				MY	X	
3312GR	12 Gear	TB	B010200101/UP	C	B&S 281707-0127-01	12.0	5					AH	X	(1)
3312GRS	12 Gear	TB	B380100101/UP	C	B&S 281707-0127-01	12.0	5					AH	X	(1)
3312HR	12 Hydro	TB	B020100101/UP	C	B&S 281707-0127-01	12.0		750				MY	X	
3312HRS	12 Hydro	TB	B390100101/UP	C	B&S 281707-0127-01	12.0		750				MY	X	
5117H-03	DGT1700	B	0300101/UP	H	Mitsubishi L3A-61BG	17.0		11	X			EN	X	3 Cyl.
5118HS-03	GT1800	B	0300101/UP	H	Koh. M18QS-24599	18.0		11	X			YN	X	
5120H-04	GT2000	B	0400101/UP	H	Koh. M20QS-49565	20.0		11	X			EN	X	
TX1502	G152	B	NA	P	Mitsubishi K3A-11A	15.0	6				(6)	EQ	X	3 Cyl. (2)
TX1502H	H152	B	NA	P	Mitsubishi K3A-11A	15.0					(7)	EQX	X	3 Cyl. (2)
TX1704	G174	B	NA	P	Mitsubishi K38-11B	17.0	6				(6)	EQX	X	3 Cyl. (2)
TX1704H	H174	B	NA	P	Mitsubishi K38-11B	17.0					(7)	EQX	X	3 Cyl. (2)

* B - Bolens

** Illustrations see Section 10-1 Pages 1 thru 5

TB - Troy-Bilt

N/A - Not Applicable More Footnotes: Section 10-2 Page 20

TRACTOR MODELS AND SPECIFICATIONS (CONT'D)

SKU/ Model	Sales Description	*	Serial Number	**	Engine Model & Type	HP	Transmission					Ign.		Remarks
							Speeds	Eaton Hyd. #	Bolens	Peerless	Iseki	Lube/Cap. <small>(see section 10-2 page 20)</small>	Solid State	
1992														
1468-01	1468	B	0100101/UP	F	B&S 290447-0108-01	14.0	4			X		BMU	X	(4)(5)
1669L-01	1669	B	0100101/UP	F	B&S 303447-0131-01	16.0		11	X			YN	X	(4)(5)
3212G-04	ST120	B	0400101/UP	C	B&S 281707-0127-02	12.0	5			X		AH	X	(1)(3)
3212H-03	ST120	B	0300101/UP	C	B&S 281707-0127-02	12.0		750				MY	X	(3)
5118HS-03	GT1800	B	0300101/UP	H	Koh. M18QS-24599	18.0		11	X			YN	X	Pwr. Steer
5120H-04	GT2000	B	0400101/UP	H	Koh. M20QS-49565	20.0		11	X			EN	X	
13011	ST120	B	0100101/UP	C	B&S 283207-0115-01	12.0	5			X		AH	X	(1)(3)
13013	ST120	B	0100101/UP	C	B&S 283207-0115-01	12.0		751				MY	(5)	
13014	ST140	B	0100101/UP	C	B&S 294777-0015-02	14.0		751				MY	(5)	
13015	ST140	B	0100101/UP	C	B&S 294777-0333-04	14.0		751				MY	(5)	
13016	ST160	B	0100101/UP	C	B&S 303777-0017-02	16.0		751				MY	(5)	
13017	ST140	B	0100101/UP	C	B&S 294777-0333-04	14.0	5			X		AH	X	(1)(3)
13023	ST125	B	0100101/UP	C	Koh. CV12.55/PS1259	12.5	5			X		AH	X	(1)(3)
13024	ST125	B	0100101/UP	C	Koh. CV12.55/PS1259	12.5		751				MY	X	(3)
13025	12.5 Gear	TB	0100101/UP	C	Koh. CV12.55/PS1259	12.5	5			X		AH	X	(1)(3)
13026	12.5 Gear	TB	0100101/UP	C	Koh. CV12.55/PS1259	12.5	5			X		AH	X	(1)(3) Sears
13027	14 Hydro	TB	0100101/UP	C	Koh. CV14S/PS1444	14.0		751				MY	X	(3)
13028	14 Hydro	TB	0100101/UP	C	Koh. CV14S/PS1444	14.0		751				MY	X	(3) Sears
13029	SX120	B	0100101/UP	D	B&S 266707-0140-01	12.0	5		X			AH	X	
1993														
1468	1468	B	0100101/UP	F	B&S 290447-0108-01	14.0	4					BMU	X	(4)(5)
1669L	1669	B	0100101/UP	F	B&S 303447-0131-01	16.0		11	X			YN	X	(4)(5)
5118HS	GT1800	B	0300101/UP	G	Koh. M18QS-24599	18.0		11	X			YN	X	Pwr. Steer
5120H	GT2000	B	0400101/UP	G	Koh. M20QS-49565	20.0		11	X			EN	X	
13014	ST140	B	0100101/UP	C	B&S 294777-0015-02	14.0		750				MY	X	(5)
13016	ST160	B	0100101/UP	C	B&S 303777-0017-02	16.0		750				MY	X	(5)
13023	ST125	B	0100101/UP	C	Koh. CV12.55/PS1259	12.5	5			X		AH	X	(1)(3)
13024	ST125	B	0100101/UP	C	Koh. CV12.55/PS1259	12.5		750				MY	X	(3)
13025	12.5 Gear	TB	0100101/UP	C	Koh. CV12.55/PS1259	12.5	5			X		AH	X	(1)(3)
13026	12.5 Gear	TB	0100101/UP	C	Koh. CV12.55/PS1259	12.5	5			X		AH	X	(1)(3) Sears
13027	14 Hydro	TB	0100101/UP	C	Koh. CV14S/PS1444	14.0		750				MY	X	(3)
13028	14 Hydro	TB	0100101/UP	C	Koh. CV14S/PS1444	14.0		750				MY	X	(3) Sears
13029	SX120	B	0100101/UP	D	B7S 266707-0140-01	12.0	5		X			AH	X	
13064	12.5 Hydro	TB	0100101/UP	C	Koh. CV12.5S/PS1259	12.5		750				MY	X	(4)
13065	14 Hydro	TB	0100101/UP	C	B&S 294777-0015-02	14.0		750				MY	X	(5)
13066	16 Hydro	TB	0100101/UP	C	B&S 303777-0017-02	16.0		750				MY	X	(5)
1994														
13025	12.5 Gear	TB	0100101/UP	C	Koh. CV12.5S/PS1259	12.5	5			X		AG	X	(1)(3)
13039	16 Hydro	TB	0100101/UP	E	B&S 303777-0333-03	16.0		851				YZ	X	(4)(5)
13040	18 Hydro	TB	0100101/UP	E	B&S 350777-0117-01	18.0		851				YZ	X	(4)(5)
13041	13 Gear	B	0100101/UP	E	B&S 28M707-0115-01	13.0	5			X		AJ	X	(17)
13042	13 Hydro	B	0100101/UP	E	B&S 28M707-0115-01	13.0		650				(18)	X	(17)
13043	15 Hydro	B	0100101/UP	E	B&S 28N707-0112-01	15.0		650				(18)	X	(17)
13044	16 Hydro	B	0100101/UP	E	B&S 303777-0333-03	16.0		650				(18)	X	(4)(5)
13046	16 Hydro	B	0100101/UP	E	B&S 303777-0333-03	16.0		851				Y	X	(4)(5)
13047	18 Hydro	B	0100101/UP	E	B&S 350777-0117-01	18.0		851				Y	X	(4)(5)

*B Bolens
TB - Troy-Bilt

**Illustrations see Section 10-1 Pages 1 thru 5
N/A - Not Applicable More Footnotes: Section 10-2 Page 20

TRACTOR MODELS AND SPECIFICATIONS (CONT'D)

SKU/ Model	Sales Description	*	Serial Number	**	Engine Model & Type	HP	Speeds	Transmission				Ign	Remarks
								Eaton Hyd. #	Bolens	Peerless	Lube/Cap. <small>(see section 10-2 page 20)</small>		
1994													
13048	SX120	B	0100101/UP	D	B&S 266707-0140-01	12.0	5			X	AH	X	(3)(14)
13049	SX120	B	0100101/UP	D	B&S 266707-0140-01	12.0					(12)(13)	X	(3)(14)
13049	SX120	B	0200101/UP	D	B&S 266707-0140-01	12.0					(12)(13)	X	(3)(14)
13051	ST125	B	0100101/UP	C	B&S 286707-0153-01	12.5	5			X	AH	X	(3)
13052	ST125	B	0100101/UP	C	B&S 286707-0153-01	12.5	751				MY	X	(3)
13053	15 Gear	TB	0100101/UP	E	B&S 28N707-0112-01	15.0	5			X	AJ	X	(17)
13054	15 Gear	B	0100101/UP	E	B&S 28N707-0112-01	15.0	5			X	AJ	X	(17)
13058	STG125	B	0100101/UP	D	B&S 286707-0140-01	12.0	5			X	AH	X	(3)(14)
13059	STH125	B	0100101/UP	D	B&S 286707-0140-01	12.0					(12)(13)	X	(3)(14)
			0200101/UP	D	B&S 286707-0140-01	12.0					(12)(13)	X	(3)(14)
13060	GTX	TB	0100101/UP	H	Koh. M18QS-24599	18.0		11	X		YN	X	
13061	Dura	B	0100101/UP	H	Koh. M18QS-24599	18.0		11	X		YN	X	
13062	GTX	TB	0100101/UP	H	Koh. M20QS-49565	20.0		11	X		EN	X	
13063	Dura	B	0100101/UP	H	Koh. M20QS-49565	20.0		11	X		EN	X	
13064	12.5 Hydro	TB	0100101/UP	C	Koh. CV12.5S.051259	12.5	751				MY	X	(3)
13065	14 Hydro	TB	0100101/UP	C	B&S 294777-0015-02	14.0	751				MY	X	(5)
13066	16 Hydro	TB	0100101/UP	C	B&S 303777-0017-02	16.0	751				MY	X	(5)
13078	16 Hydro	TB	0100101/UP	E	B&S 303777-0333-03	16.0	851				YZ	X	(4)(16)
13079	15 Hydro	TB	0100101/UP	E	B&S 28N707-0112-01	15.0	650				(18)	X	(16)
1995													
13034	13 Gear	TB	0100101/UP	E	B&S 28M707-0115-01	13.0	5			X	AH	X	(1)(17)
13035	13 Hydro	TB	0100101/UP	E	B&S 28M707-0115-01	13.0	650				(18)	X	(17)
13036	15 Hydro	TB	0100101/UP	E	B&S 28N707-0112-01	15.0	650				(18)	X	
13037	16 Hydro	TB	0100101/UP	E	B&S 303777-0333-03	16.0	650				(18)	X	(4)(5)
13039	16 Hydro	TB	0100101/UP	E	B&S 303777-0333-03	16.0	851				YZ	X	(4)(5)
13040	18 Hydro	TB	0100101/UP	E	B&S 350777.0117-03	18.0	851				YZ	X	(4)(5)
13041	13 Gear	B	0100101/UP	E	B&S 28M707-0115-01	13.0	5			X	AH	X	(1)(17)
13042	13 Hydro	B	0100101/UP	E	B&S 28M707-0115-01	13.0	650				(18)	X	(17)
13043	15 Hydro	B	0100101/UP	E	B&S 28N707-0112-01	15.0	650				(18)	X	(17)
13044	16 Hydro	B	0100101/UP	E	B&S 303777-0333-03	16.0	650				(18)	X	(5)
13046	16 Hydro	B	0100101/UP	E	B&S 303777-0333-03	16.0	851				YZ	X	(5)
13047	18 Hydro	B	0100101/UP	E	B&S 350777-0117-01	18.0	851				YZ	X	(5)
13053	15 Gear	TB	0100101/UP	E	B&S 28N707-0112-01	15.0	5			X	AJ	X	(17)
13054	15 Gear	B	0100101/UP	E	B&S 28N707-0112-01	15.0	5			X	AJ	X	(17)
13060	GTX	TB	0100101/UP	H	Koh. M18QS-24599	18.0		11	X		NY	X	(17)
13061	Dura	B	0100101/UP	H	Koh. M18QS-24599	18.0		11	X		NY	X	
13062	GTX	TB	0100101/UP	H	Koh. M20QS-45965	20.0		11	X		EN	X	
13063	Dura	B	0100101/UP	H	Koh. M20QS-45965	20.0		11	X		EN	X	
13069	ST150	B	0100101/UP	D	Tec OHV15-204012	15.0	5			X	AH	X	(1)(14)
13070	STG125	B	0100101/UP	D	B&S 286707-0140-01	12.5	5			X	AH	X	(1)(15)
13071	STH125	B	0100101/UP	D	B&S 286707-0140-01	12.5					(12)(13)	X	(1)(15)
13072	STG125	B	0100101/UP	D	B&S 286707-0140-01	12.5	6			X	AH	X	(3)(15)
13073	STH125	B	0100101/UP	D	B&S 286707-0140-01	12.5					(12)(13)	X	(3)(15)
13074	GTX	TB	130740100101/Up	H	Koh. CH18-PS-551084	18.0		11	X		NY	X	
13076	GTX	TB	130760100101/Up	H	Koh. CH70-PS-251776	20.0		11	X		NE	X	
13078	16 Hydro	TB	0100101/UP	E	B&S 303777-0333-03	16.0		851			YZ	X	(4)(16)

*B - Bolens
TB - Troy-Bilt

**Illustrations see Section 10-1 Pages 1 thru 5
More Footnotes: Section 10-2 Page 20

TRACTOR MODELS AND SPECIFICATIONS (CONT'D)

SKU/ Model	Sales Description	*	Serial Number	**	Engine Model & Type	HP	Transmission					Ign.	Remarks
							Speeds	Eaton Hyd. #	Bolens	Peerless	Lube/Cap. <small>(see section 10-2 page 20)</small>		
1995 cont'd													
13079	15 Hydro	TB	0100101/UP	E	B&S 28N707-0112-01	15.0		650				X	(16)
13082	STG150	B	0100101/UP	D	Tec. OHV15-204012	15.0	6			X	AH	X	(1)(15)
1996													
13034/C	13 Gear	TB	0100101/UP	E	B&S 28M707-0115-01	13.0	5			X	AH	X	(1)(17)
13035/C	13 Hydro	TB	0100101/UP	E	B&S 28M707-0115-01	13.0		650			(18)	X	(17)
13036/C	15 Hydro	TB	0100101/UP	E	B&S 28N707-0112-01	15.0		650			(18)	X	(17)
13037	16 Hydro	TB	0100101/UP	E	B&S 303777-0333-03	16.0		650			(18)	X	(4)(5)
13039	16 Hydro	TB	0100101/UP	E	B&S 303777-0333-03	16.0		851			YZ	X	(4)(5)
13040	18 Hydro	TB	0100101/UP	E	B&S 350777-0333-03	18.0		851			YZ	X	(4)(5)
13041	LT13G	B	130410200101/Up	E	B&S 28M707-0115-01	13.0	5			X	AH	X	(1)(17)
13042	LT13H	B	130420200101/Up	E	B&S 28M707-0115-01	13.0		650			(18)	X	(17)
13043	LT15H	B	130490200101/Up	E	B&S 28N707-0112-01	15.0		650			(18)	X	(17)
13044	LT16H	B	130440200101/Up	E	B&S 303777-0333-03	16.0		650			(18)	X	(5)
13046	GT16H	B	130460200101/Up	E	B&S 303777-0333-03	16.0		851			YZ	X	(5)
13047	GT18H	B	130470200101/Up	E	B&S 350777-0117-01	18.0		851			YZ	X	(5)
13054	GT15G	B	130540200101/Up	E	B&S 28N707-0112-01	15.0	5			X	AJ	X	(17)
13070	STG125	B	0100101/UP	D	B&S 286707-0140-01	12.5	5			X	AH	X	(1)(15)
13071	STH125	B	0100101/UP	D	B&S 286707-0140-01	12.5				(12)	(13)	X	(1)(15)
13072	STG125	B	0100101/UP	D	B&S 286707-0140-01	12.5	6			X	AH	X	(3)(15)
13073	STH125	B	0100101/UP	D	B&S 286707-0140-01	12.5				(12)	(13)	X	(3)(15)
13074	GTX	TB	130740100101/Up	H	Koh. CH18-PS-551084	18.0		11	X		NY	X	
13076	GTX	TB	130760100101/Up	H	Koh. CH20-PS-251776	20.0		11	X		EN	X	
13095	LTX	TB	130950100101/Up	E	B&S 28M707-0615-A1	13.0	5			X	BH	X	(17)
13096	LTX	TB	130960100101/Up	E	B&S 28P777-0635-A1	13.5				(19)		X	(5)
13097	LTX	TB	130970100101/Up	E	B&S 28Q777-0641-A1	15.5		751			MY	X	(5)
13099	LTX	TB	130990100101/Up	E	B&S 303777-1103-A3	16.0		751			MY	X	(5)
13101	GTX	TB	131010100101/Up	H	B&S 303447-1216-A1	16.0		11	X		NY	X	
13112	LTX	B	131120100101/UP	E	B&S 28M707-0619-A1	13.0	5			(20)		X	(17)
13113	LTX	B	131130100101/UP	E	B&S 28P777-0646-A1	14.0				(19)		X	(5)
13114	LTX	B	131140100101/UP	E	B&S 28Q777-0647-A1	16.0				(19)		X	(5)
13115	LTX	B	131150100101/UP	E	B&S303777-1033-A3	16.0		751			MY	X	(5)
1997													
13074	GTX	TB	130740100101/Up	H	Koh. CH18-PS-551084	18.0		11	X		NY	X	
13076	GTX	TB	130760100101/Up	H	Koh. CH20-PS-251776	20.0		11	X		EN	X	
13090	LTX	B	130900100101/Up	E	B&S 28M707-0615-A1	13.0	5			(20)		X	(17)
13091	LTX	B	130910100101/Up	E	B&S 28P777-0635-A1	13.5				(19)		X	(5)
13092	LTX	B	130920100101/Up	E	B&S 28Q777-0641-A1	15.5		751			MY	X	(5)
13094	LTX	B	130940100101/Up	E	B&S 303777-1033-A3	16.0		751			MY	X	(5)
13101	GTX	TB	131010100101/Up	H	B&S 303447-1216-A1	16.0		11	X		NY	X	
13102	LTX	TB	131020100101/UP	E	B&S 28M707-0619-A1	13.0	5			(20)	BH	X	(17)
13103	LTX	TB	131030100101/UP	E	B&S 28P777-0635-A1	13.5				(19)		X	(5)
13104	LTX	TB	131040100101/UP	E	B&S 28Q777-0641-A1	15.5				(19)		X	(5)
13105	LTX	TB	131050100101/UP	E	B&S 303777-1033-A3	16.0		751			MY	X	(5)

*B - Bolens
TB - Troy-Bilt

** Illustrations see Section 10-1 Pages 1 thru 5
More Footnotes: Section 10-2 Page 20

TRACTOR MODELS AND SPECIFICATIONS (CONT'D)

SKU/ Model	Sales Description	*	Serial Number	**	Engine Model & Type	HP	Transmission					Lgn. Solid State	Remarks	
							Speeds	Eaton Hyd. #	Bolens	Peerless	Lube/Cap. <small>(see section 10-2 page 20)</small>			
1997 Contd														
13112	LTX	B1	31120200101/UP	E	B&S 28M707-0619-A1	13.0	5				(20)	X	(17)	
13113	LTX	B1	31130200101/UP	E	B&S 28P777-0646-A1	14.0					(19)	X	(5)	
13114	LTX	B1	31140200101/UP	E	B&S 350777-011701	16.0					(19)	X	(5)	
13115	LTX	B1	31150200101/UP	E	B&S303777-1033-A3	18.0		751			MY	X	(5)	
1998														
13074	GTX	TB	130741200101/Up	H	Koh. CH18-PS-62542	18.0		11	X		NY	X	(23)	
13076	GTX	TB	130761200101/Up	H	Koh. CH20-PS-64549	20.0		11	X		EN	X	(23)	
13101	GTX	TB	131011200101/Up	H	B&S 303447-1216-E1	16.0		11	X		NY	X	(23)	
13102	LTX	TB	131021200101/UP	E	B&S 28M707-0619-A1	13.0	5				(20)	BH	X	(17)(23)
13A-130F063	LTX	TB	131021200101/UP	E	B&S 28M707-0619-A1	13.0	5				(20)	BH	X	(17)(22)(23)
13123	LTX	TB	131031200101/UP	E	B&S 28P777-0646-E1	14.0					(19)	X	(5)(23)	
13A-145F063	LTX	TB	131031200101/UP	E	B&S 28P777-0646-E1	14.0					(19)	X	(5)(22)(23)	
13104	LTX	TB	131041200101/UP	E	B&S 28Q777-0647-E1	15.5					(19)	X	(5)(23)	
13105	LTX	TB	131051200101/UP	E	B&S 303777-1033-E3	16.0		751			MY	X	(5)(23)	
13112	LTX	B	131121200101/UP	E	B&S 28M707-0619-A1	13.0	5				(20)	X	(17)(23)	
13113	LTX	B	131131200101/UP	E	B&S 28P777-0646-E1	14.0					(19)	X	(5)(23)	
13114	LTX	B	131141200101/UP	E	B&S 303777-1033-E3	16.0					(19)	X	(5)(23)	
13115	LTX	B	131151200101/UP	E	B&S 350777-1117-E3	18.0		751			MY	X	(5)(23)	
13124	LTX	TB	131241200101/UP	E	B&S 28M707-0619-A1	13.0	5				(20)	BH	X	(17)(22)(23)
13125	LTX	TB	131251200101/UP	E	B&S 28P777-0646-E1	14.0					(19)	X	(5)(22)(23)	
13127	LT	B	131271200101/UP	N	B&S 311777-0148-E1	18.0	(25)					X	(21)(22)	
13128	LT	B	131281200101/UP	N	B&S 407777-0128-E1	20.0	(25)					X	(21)(22)	
13129	GT	B	131291200101/Up	O	B&S 445777-0122-E1	25.0	(25)					X	(21)(22)	
13130	GT	B	131301200101/Up	O	Koh. CV20S-ST5-65510	20.0	(25)					X	(21)(22)	
1999														
13074	GTX	TB	130741200101/Up	H	Koh. CH18-PS-62542	18.0		11	X		NY	X	(23)	
13076	GTX	TB	130761200101/Up	H	Koh. CH20-PS-64549	20.0		11	X		EN	X	(23)	
13101	GTX	TB	131011200101/Up	H	B&S 303447-1216-E1	16.0		11	X		NY	X	(23)	
13102	LTX	TB	131021200101/UP	E	B&S 28M707-0619-A1	13.0	5				(20)	BH	X	(17)(23)
13A-130F063	LTX	TB	131021200101/UP	E	B&S 28M707-0619-A1	13.0	5				(20)	BH	X	(17)(22)(23)
13123	LTX	TB	131031200101/UP	E	B&S 28P777-0646-E1	14.0					(19)	X	(5)(23)	
13A-145F063	LTX	TB	131031200101/UP	E	B&S 28P777-0646-E1	14.0					(19)	X	(5)(22)(23)	
13104	LTX	TB	131041200101/UP	E	B&S 28Q777-0647-E1	15.5					(19)	X	(5)(23)	
13105	LTX	TB	131051200101/UP	E	B&S 303777-1033-E3	16.0		751			MY	X	(5)(23)	
13112	LTX	B	131121200101/UP	E	B&S 28M707-0619-A1	13.0	5				(20)	X	(17)(23)	
13113	LTX	B	131131200101/UP	E	B&S 28P777-0646-E1	14.0					(19)	X	(5)(23)	
13114	LTX	B	131141200101/UP	E	B&S 303777-1033-E3	16.0					(19)	X	(5)(23)	
13115	LTX	B	131151200101/UP	E	B&S 350777-1117-E3	18.0		751			MY	X	(5)(23)	
13124	LTX	TB	131241200101/UP	E	B&S 28M707-0619-A1	13.0	5				(20)	BH	X	(17)(22)(23)
13126	LT	TB	131251200101/UP	N	Koh CV16S-SKH4261UG2RB	16.0	(25)					X	(21)(22)	
13127	LT	TB	131271200101/UP	N	B&S 311777-0148-E1	18.0	(25)					X	(21)(22)	
13128	LT	TB	131281200101/UP	N	B&S 407777-0128-E1	20.0	(25)					X	(21)(22)	
13129	GT	TB	131291200101/Up	O	B&S 445777-0122-E1	25.0	(25)					X	(21)(22)	
13130	GT	TB	131301200101/Up	O	Koh CV20S-ST5-65510	20.0	(25)					X	(21)(22)	
13131	GT	TB	131311200101/Up	O	B&S 407777-0128-01	22.0	(25)					X	(21)(22)	

*B - Bolens
TB - Troy-Bilt

**Illustrations see Section 10-1 Pages 1 thru 5
More Footnotes: Section 10-2 Page 20



TRACTOR MODELS AND SPECIFICATIONS (CONT'D)

SKU/ Model		*	Serial Number	**	Engine Model & Type	HP	Transmission				lgn. Solid State	Remarks	
							Speeds	Eaton Hyd. #	Bolens	Peerless			Lube/Cap. <small>(see section 10-2 page 20)</small>
2000													
13074	GTX	TB	130741200101/Up	H	Koh. CH18-PS-62542	18.0		11	X		NY	X	(23)
13076	GTX	TB	130761200101/Up	H	Koh. CH20-PS-64549	20.0		11	X		EN	X	(23)
13101	GTX	TB	131011200101/Up	H	B&S 303447-1216-E1	16.0		11	X		NY	X	(23)
13104	LTX	TB	131041200101/UP	E	B&S 28Q777-0647-E1	15.5				(19)		X	(5)(23)
13105	LTX	TB	131051200101/UP	E	B&S 303777-1033-E3	16.0		751			MY	X	(5)(23)
13112	LTX	B	131121200101/UP	E	B&S 28M707-0619-A1	13.0	5			(20)		X	(17)(23)
13113	LTX	B	131131200101/UP	E	B&S 28P777-0646-E1	14.0				(19)		X	(5)(23)
13114	LTX	B	131141200101/UP	E	B&S 303777-1033-E3	16.0				(19)		X	(5)(23)
13115	LTX	B	131151200101/UP	E	B&S 350777-1117-E3	18.0		751			MY	X	(5)(23)
13123	LTX	TB	131031200101/UP	E	B&S 28P777-0646-E1	14.0				(19)		X	(5)(23)
13124	LTX	TB	131241200101/UP	E	B&S 28M707-0619-A1	13.0	5			(20)	BH	X	(17)(22)(23)
13125	LTX	TB	131251200101/UP	E	B&S 28P777-0646-E1	14.0				(19)		X	(5)(22)(23)
13126	LT	TB	131251200101/UP	N	Koh Cv16s-skh4261-ug2rb	16.0	(25)					X	(21)(22)
13127	LT	B	131271200101/UP	N	B&S 311777-0148-E1	18.0	(25)					X	(21)(22)
13128	LT	B	131281200101/UP	N	B&S 407777-0128-E1	20.0	(25)					X	(21)(22)
13129	GT	B	131291200101/Up	O	B&S 445777-0122-E1	25.0	(25)					X	(21)(22)
13130	GT	B	131301200101/Up	O	Koh CV20S-ST5-65510	20.0	(25)					X	(21)(22)
13131	GT	TB	131311200101/Up	O	B&S 407777-0128-E1	20.0	(25)					X	(21)(22)
13137	GT	TB	131371200101/Up	O	Koh.	23.0	(25)					X	(21)(22)
13138	LTX	B	131131200101/UP	E	B&S 28P777-0646-E1	14.0				(19)		X	(5)(23)(24)
13139	LTX	B	131141200101/UP	E	B&S 303777-1033-E3	16.0				(19)		X	(5)(23)(24)
13140	LTX	B	131151200101/UP	E	B&S 350777-1117-E3	18.0		751			MY	X	(5)(23)(24)
13141	LTX	B	131121200101/UP	E	B&S 28M707-0619-A1	13.0	5			(20)		X	(17)(23)(24)

*B - Bolens
TB - Troy-Bilt

**Illustrations see Section 10-1 Pages 1 thru 5
More Footnotes: Section 10-2 Page 20

- 1 - This unit is equipped with a non-tilling transmission
(Mower and snowthrower attachments only)
- 2 - ROPS Standard equipment
- 3 - I.C. Engine
- 4 - Engine Pressure Lube and Filter
- 5 - B&S Vanguard Engine
- 6 - Gear Models
- 7 - Hydro Models
- 8 - Bolens design has belt changer for Hi and Lo range
- 9 - Two speed transmission with Hi and Lo range
- 10- 1456-02 & Up, Have sump type hydro
- 11 - 1st Overhead Valve Engine
- 12 - Peerless 1800 Hydro
- 13 - See Peerless
- 14 - With 39" Mower
- 15 - With 40" Mower

- 16 - World Cup Graphics
- 17 - B&S Diamond Engine
- 18 - Add SAE 20 motor/hydro oil only. Hydro should not be drained and/or disassembled
- 19 - Peerless VST205
- 20 - Peerless MST 205, 5 speed
- 21 - Produced By MTD, No Mowing in reverse
Refer all Maintenance/Warranty support to an MTD authorized repair facility
- 22 - Tractor Deck Combo
- 23 - No mowing in reverse
- 24 - Red Bolens Unit
- 25 - Variable Speed Pulley Drive (Pedal Drive)

- A - Bentonite Grease (Tec. 788067)
- B - EP 90 Oil
- C - ATF Type F (Hydro)
- D - ATF Dextron (Hydro)
- E - Trans/Hydro Fluid (Below)
- F - 3 oz.
- G - 24 oz.
- H - 30 oz.
- I - 32 oz.
- J - 36 oz.
- K - 44 oz.

- L - 48 oz.
- M - 64 oz.
- N - 8 qts.
- O - 9 qts.
- P - 10 qts.
- Q - 13 qts.
- R - 17 qts.
- S - Plug Level - 2 1/2 qts.
- T - A's Required
- U - R.H. Gearbox - 4 oz.(Tec. 788067)
- V - Differential

- W - Plug Level
- X - FWD EP 90 Oil (qts.)
15/17 HP -.73 Bevel Case
.26 Axle Cases
19/24 HP - 4.7
21 HP - 7.9
27 HP - 8.2
29 HP - 8.5
- Y - SAE20 Motor/Hydro Oil
(1768598 - 1 gal. container)
- Z - 6 1/2 qts.

**DIESEL TRACTOR AND 2-SPEED GAS TRACTOR
TRANSMISSION/HYDRAULIC OIL CROSS REFERENCE**

The following is a list of transmission/hydraulic fluids which may be substituted for the original factory-supplied oil when you add or make routine transmission oil changes.

Allis Chalmers	HPF82I Power Fluid
Amoco	1000
Atlantic Richfield	Arco Tractor Fluid
J.I. Case	TFD Fluid
Chevron	Tractor Hydraulic Fluid
Conex	Qwik Lift
Conoco	Power-Tran II Fluid
John Deere	Type 6354 Hi Vis (Gal)
Exxon	Torque Fluid 56
Ford	134 Tractor Hydraulic Fluid
Garden Way	I738157 (gal.)
International	Hy-Trans Fluid
Kendall	Hyken 052
Lion	HT Fluid
Massey-Ferguson	M-1127 Perma-Tran Fluid
Mobil	Mobil fluid 424
Oliver	Oliver 55 Fluid
Pennzoil	Hydra-Tranz & Wet Brake Fluid
Phillips	HG Fluid
Quaker	Tractor Hydraulic/Trans. Fluid
Shell	Donnax T-4
Texaco	TDH Oil
Union	Hydraulic/Trans. Fluid
Valvoline	Unitrac
White	Q-1722

TYPE	CHAPTER	SECTION	PAGE
<u>TRACTOR ATTACHMENTS</u> Interchangeability	11	1	1-30
Belt Diagrams, Numbers & Blades	11	2	1-3
Mower Spindles	11	3	1-3

TRACTOR ATTACHMENTS

Notes:

LAWN KEEPER & ESTATE KEEPER ATTACHMENT INTERCHANGEABILITY*

Description	Model	L.K.	L.K.	L.K.	L.K.	E.K.	E.K.
		910 -01 -02	911 -01 -02	914 -01 -02	915 -01 thru -03	930 -01 -02	931 -01 -02
Blade -36" Mechanical Angle	19105 (Nla)	X	X	X	X		
38" Mechanical Angle	19304 (Nla)					X	X
	19314 (Nla)					X	X
Cab - Softside (Original)	19700 (Nla)					X	X
	19701 (Nla)					X	X
Driveshaft Attachment	19313 (Nla)						X
Electric Start Kit	19106 (Nla)		X		X		
Mower - 28" Side Discharge	19101 (Nla)	X		X			
32" Side Discharge	19102 (Nla)		X		X		
	19107 (Nla)			X			
	19108 (Nla)				X		
	19303 (Nla)					X	X
38" Side Discharge	19307 (Nla)					X	X
42" Side Discharge	19342 (Nla)					X	X
	19343 (Nla)					X	X
22" Trail Gang	16440 (Nla)					X	X
30" Reel	19301 (Nla)					X	X
	19311 (Nla)					X	X
Mower Hitch - 2 Gang	16441 (Nla)					X	X
3 Gang	16442 (Nla)					X	X
Snowthrower - 32" Single Stage	19302 (Nla)					X	X
	19312 (Nla)					X	X
Spring Assist Kit	19306 (Nla)					X	X
Thatcher - 42"	16460 (Nla)					X	X
Thatcher Hitch Kit	19310 (Nla)					X	X
Tire Chains (F/3.50/4.10x6)	16010 (Nla)	X		X			
(F/12.5.00x6)	16011 (Nla)		X		X		
(F/16x6.50x8)	16050 (Nla)					X	X
Transport Lift Kit	19104 (Nla)	X	X	X	X		
Weight Rear	19305 (Nla)					X	X

*NOTE: Attachments no longer available.

Nla-No longer available.

SMALL FRAME TRACTOR ATTACHMENT INTERCHANGEABILITY*

Description	Model	770	775	730	733	736
		160 161 164 165	166 -01 -02	730 -01	733 -01	736 -01
Blade - 42" Mechanical Angle	18003 (Nla)	X	X	X	X	X
Cab - Softside (Original)	18008 (Nla)	X	X	X	X	X
Dump Cart - 7.5 cu. ft.	16466 (Nla)	X	X	X	X	X
10 cu. ft.	16465 (Nla)	X	X	X	X	X
Light Kit - Headlight	18004 (Nla)	(1)	X		X	X
Mower - 32" Side Discharge	18001 (Nla)	X	X	X	X	X
38" Side Discharge	18007 (Nla)	X	X	X	X	X
Mower Hitch - 3 Gang	16442 (Nla)	X	X	X	X	X
Snowthrower - 32" Single Stage	18002 (Nla)	X	X	X	X	X
String Trimmer - 12 volt	6888 (Nla)	X	X	X	X	X
	30904 (Nla)	X	X	X	X	X
Tire Chains (F/20-8.00x10)	16007 (Nla)	X	X	X		
Vac Attachment	18481 (Nla)	X	X	X	X	X
Vac Sweeper	18005 (Nla)	X	X	X	X	X
Wheel Weights (pr) 70lb. Rear Cast	18012 (Nla)	X	X	X	X	X

1 - Will fit on 161 and 165 only

*NOTE: Attachments no longer available.

Nla-No longer available.

SMALL (STAMPED) FRAME TRACTOR ATTACHMENT INTERCHANGEABILITY*

Description	Model	510	610	613	813	G8	G8	LT8	LT8E	LT11
		510 -01 -02	610 -01 -02	613 -01 -02 -03	813 -01 -02	813 -04 -05 -09	813 -06 thru -08	812 -01 -02	814 -01 -02	1113 -01 -02
Blade - 32" Mechanical Angle	15102 (Nla)	X	X	X	X	X	X	X	X	X
Dump Cart - 4.5 cu. ft.	15110 (Nla)	X	X	X	X	X	X	X	X	X
7.5 cu. ft.	16466 (Nla)									X
Light Kit (1725650)	15107 (Nla)		X	X						
(1737569)	15117 (Nla)				X					
	18725 (Nla)								X	
Mower - 28" Side Discharge	15100 (Nla)	X								
32" Side Discharge	15101 (Nla)		X	X	(1)	X	X	(2)	(2)	
38" Side Discharge	15108 (Nla)				X	X	X			
	15114 (Nla)	NR	NR	NR	NR	NR	NR	X	X	X
42" Side Discharge	15115 (Nla)							NR	NR	X
Mower Boot (F/Vac & 28" Mower)	15153 (Nla)	X								
(F/Vac & 33" Mower)	15154 (Nla)		X	X	X	X	X	X	X	
(F/Vac & 38" Mower)	15155 (Nla)	X	X	X	X	X	X	X	X	X
Mower Transport Kit	15103 (Nla)	X								
Running Board Kit (1742508)	15120 (Nla)	X	X	X	X	X	X	X	X	X
Snowthrower - 32" Single Stage	15104 (Nla)		X	X	X	X	X	X	X	X
Snowthrower Slicer Bar Kit	1720887(Nla)		X	X	X	X	X	X	X	
Speed Change Kit (1722995)	15106 (Nla)		X	X	X	X	X			
String Trimmer - 12 volt	6888 (Nla)			X	X	X	X		X	X
	30904 (Nla)			X	X	X	X		X	X
Tire Chains - (F/16x6.50x8)	16050 (Nla)		X	X		X	X			
(1723180) (F/16x7.50x8)	16051 (Nla)				X			X		
(1715616) (F4.80x4.00x8)	16214 (Nla)	X								
(1738417) (F/18x8.50x8)	15118 (Nla)								X	
(1738418) (F18x9.50x8)	15119 (Nla)									X
Vac Sweeper	15150 (Nla)	X	X	X	X	X	X	X	X	X
Vac Hitch (F/Vac Sweeper)	15151 (Nla)	X	X	X	X	X	X	X	X	X
Vac Hitch & Boot (F/Vac Sweeper)	15158 (Nla)					X	X	X		
Wheel Weights (pr) 70 lbs. Rear Cast	15105 (Nla)	X	X	X	X	X	X			
	15116 (Nla)	X	X	X	X	X	X	X	X	X

1 - Will fit on 161 & 165 only. 2 - Use only 15101 starting w/SN 07 & highEr.

*NOTE: Attachments no longer available.

Nla-No longer available.

STG, STH, STX (NOMA) TRACTOR ATTACHMENT INTERCHANGEABILITY*

Description	Model	SX120	STG125	STX
		13029 13048 13049 13050	13058 STH125 13059 STH150 13069	13070 13071 13072 13073
Air Assist	14017 (Nla)	X	X	
	14092			X
Bagging Attachment	14085 (Nla)	X	X	
	14093 (Nla)			X
Dump Cart - 7.5 cu. ft.	14076 (Nla)	X	X	X
	16466 (Nla)	X	X	
10.0 cu. ft.	16465 (Nla)	X	X	X
Mulching Attachment - 39" Mower	14088 (Nla)	X	X	
40" Mower	14096 (Nla)			X
TUV Kit (Europe)	14018 (Nla)	X	X	X

*NOTE: Check for availability.

Nla-No longer available.

SUBURBAN TRACTOR ATTACHMENT INTERCHANGEABILITY*

	GEAR		HYDRO		
	3010G 3011G 3012G 3014G 3018G 3112G 3114G 3114GR 3118G	3211G 3212G 3212GR 3214G 3214GR 3312GR 13023 13025 13026	3011H 3012H 3014H 3015H 3016HR 3018H 3114H 3114HR 3212H	3212HR 3214H 3214HR 3216H 3312HR 13014 13016 13024 13027	13028 13064 13065 13066
Description	SKU/ Model				Remarks
Bagging Attachments-					
• Backpacker (f/36" Mower) (Req. 30907 Adapter Kit)	6951 (Nla)	X	X	X	Not for 3014H & 3118G
• PowerPacker (f/36" Mower)	14008 (Nla)	X	X	X	Not for 3014H & 3118G
	30901 (Nla)	X	X	X	Not for 3014H & 3118G
	30936/R (Nla)	X	X	X	Not for 3014H & 3118G
• PowerPacker Plus (f/42" & 48" Mower)	14058	X	X	X	Not for 10,11, & 12 HP
	30917 (Nla)	X	X	X	Not for 10,11, & 12 HP
(Req. Cart Collector or 2 Bag Hopper)	30912 (Nla)	X	X	X	Not for 10,11, & 12 HP
• Cart Collector (Req. PowerPacker Plus) (17 Bushel)	14070 (Nla)	X	X	X	Not for 10,11, & 12 HP
	30921	X	X	X	Not for 10,11, & 12 HP
•2 Bag Hopper (Req. PowerPacker Plus) (6 Bushel)	30922	X	X	X	Not for 10,11, & 12 HP
Backpacker Adapter Kit (f/6951 Backpacker-for 31036S)	30907 (Nla)	X	X	X	Not for 3014H & 3118G
Blade - 42" Mechanical Angle	14007	X	X	X	3212-01 Req. 30909 Lift
	30242/R (Nla)	X	X	X	3212-01 Req. 30909 Lift
Cab - Hard Top (Femco) (1)	30930 (Nla)	(2)(3)	(3)	(3)	See Footnotes
	30931 (Nla)	(2)	X	X	See Footnotes
Drawbar Weight (85 lbs.)	30915	X	X	X	
Dump Cart - 10.0 cu. ft.	14076 (Nla)	X	X	X	World Cup Graphics
	14095 (Nla)	X	X	X	
7.0 cu. ft.	16466 (Nla)	X	X	X	
10.0 cu. ft.	16465 (Nla)	X	X	X	
GRS (f/42" & 48" Mowers)	14011	X	X	X	Not for 10, 11, & 12 HP
(f/36" Mowers)	14012	X	X	X	Not for 10, 11, & 12 HP
(f/42" & 48" Mowers)	14032 (Nla)	X	X	X	Not for 10, 11, & 12 HP
(f/36" Mowers)	34500 (Nla)	X	X	X	Not for 10, 11, & 12 HP
(f/42" & 48" Mowers)	34501 (Nla)	X	X	X	Not for 10, 11, & 12 HP
Head Light Kit	30910	X	X	X	For 3010G & 3212 Only
Hitch - Sleeve Category	30920 (Nla)	X	X	X	For 3118G Only
Hour Meter Kit	1754550	X	X	X	
Lift Kit - Manual	30909 (Nla)	X	X	X	For 3010G & 3212 Only
Cable (To level Mower)	1761245	X	X	X	Use w/GRS & PPP
Electric	30900 (Nla)	X	X	X	Not for 3010G & 3212G/H
Mower - 36" Side Discharge	14003 (Nla)	X	X	X	Not for 3014H & 3118G
	30036S (Nla)	(4)	(4)	(4)	Not for 3014H & 3118G
	31036S/R (Nla)	X	X	X	Not for 3014H & 3118G
-42" Side Discharge	14000 (Nla)	(4)	(4)	(4)	10 & 11HP
	14054 (Nla)	(4)	(4)	(4)	10&11HP
	30042S/R (Nla)	(4)	(4)	(4)	10 & 11HP
	32042S (Nla)	X	X	X	For 3014H Only

Footnotes-Page 4

Note: Check for availability

SUBURBAN TRACTOR ATTACHMENT INTERCHANGEABILITY*

	GEAR		HYDRO		
	3010G	3211G	3011H	3212HR	13028
	3011G	3212G	3012H	3214H	13064
	3012G	3212GR	3014H	3214HR	13065
	3014G	3214G	3015H	3216H	13066
	3016G	3214GR	3016HR	3312HR	
	3018G	3312GR	3018H	13014	
	3112G	13023	3114H	13016	
	3114G	13025	3114HR	13024	
	3114GR	13026	3212H	13027	
	3118G				

Description	SKU/Model			Remarks
Mower -42" Rear Discharge	14002 (Nla)	(4)	(4)	Notfor3014Hor10& 11 HP
Cont'd	14056 (Nla)	(4)	(4)	Not for 3014H or 10 & 11 HP
	30042R (Nla)	(4)	(4)	Not for 3014H or 10 & 11 HP
-48" Side Discharge	14001 (Nla)	X	X	Not for 3014H or 10, 11, & 12 HP
	14055 (Nla)	X	X	Not for 3014H or 10, 11, & 12 HP
	30048S (Nla)	X	X	Not for 3014H or 10, 11, & 12 HP
Snowthrower - 38" Single Stage	14005	(4)	(4)	See Footnote
	30138/R (Nla)	(4)	(4)	See Footnote
- 38" 2 Stage	30136 (Nla)	(5)	(5)	See Footnote
Snowthrower Mounting Kit (f/30136 Snowthrower)	30903 (Nla)	X	X	
Storage Cover	30914 (Nla)	X	X	
String Trimmer - 12 Volt	6888 (Nla)	X	X	
	30904 (Nla)	X	X	
Sweeper (Req. 14028 PTO Drive Kit f/Hydro Models) (Req. 14029 PTO Drive Kit f/Gear Models)	14027	X	X	
	30923 (Nla)	X		
Tiller - 26" Rotary	14006	(6)	(6)	See Footnote
	30326/R (Nla)	(6)	(6)	See Footnote
- 33" Rotary	30333 (Nla)	X		For 3118G
Tire Chains (f/23 x 8.50-12)	1716190 (Nla)	X		Model 3118G
(f/20 x 8.00-10 & 20 x 8.00-8)	1745130 (Nla)	X	X	Remove Crosslink f/8" Wheels
(f/20 x 10.00-8)	1754989		X	Model 3014H Only
Tire Kit - Ag (23 x 8.50-12)	30950 (Nla)	X		Model 3118G Only
Voltage Sensor Kit	30970 (Nla)	X	X	
Weight-Drawbar (85lbs.)	30915	(6)	X	
Weight ,Wheel 50lbs. (ea) Rear Cast Iron	14090	X	X	For 10" Wheels Only
	30902 (Nla)	X	X	For 10" Wheels Only
	30911 (Nla)	X	X	Model 3014H Only
Weight, Wheel 35lbs. (ea) 8" Ft & Rear Cast Iron	21741	X	X	For 8" Wheels Only

***NOTE: Check for availability.**

Nla-No longer available.

- 1 - Order all parts from Femco 316-241-3513
- 2 - Do not install on 3011G, 3011H, & 3211G series.
- 3 - Modify for fuel filler on 3212G-03, 3212H-02, 3114G/H-02, & 3018GH-03 series.
- 4 - Model 3212-01-02 series requires 30909 lift kit.
- 5 - Requires 14090 & 30903 - (3212G or H also requires 30909) - 30915 recommended.
- 6 - Not to be used with a non tilling transmission models/series:

3010G	13023
3212G	13025
3212GR	13026
13011	

LT, GT & LTX TRACTOR ATTACHMENT INTERCHANGEABILITY

Description	SKU/ Model	LT	GT	LTX	LTX	Remarks
		13034 13035 13036 13037 13041 13042 13043 13044	13039 13040 13046 13047 13053 13054 13078	13090 13091 13092 13094 13095 13096 13097 13099 13102 13103 13104 13105	13112 13113 13114 13115 13123 13124 13125 13138 13139 13140 13141	
Ammeter Kit	1768854 (Nla) 1773018 (Nla)	X	X	(9) X	(9) X	
Arm Rest Kit	1767977	(4)	X	(4)	(4)	
Bagging Attachment -						
- Power Packer (f/36" Mower)	14109	X		X	X	Complete Bagging System
- Power Packer (f/38" Combo Deck 14112)	14113			X	X	
Power Packer (f/38" Combo Deck 14115)	14116			X		Complete Bagging System
PowerPacker Plus (f/42" & 48" Mower) (Req. Cart Collector or 2 Bag Hopper)	14058	(11)(14)	X	(11)(14)	(11)(14)	
Cart Collector (Req. PowerPacker Plus)	14070 (Nla)	(11)(14)	X	(11)(14)	(11)(14)	
-2 Bag Hopper (Req. PowerPacker Plus)	14081	(11)(14)	X	(11)(14)	(11)(14)	
Blade - 44" Mechanical Angle (Req. Push Arm)	14079 (Nla)	X	X	X	X	
- 46" Mechanical Angle (Req. Push Arm)	14099			X	X	
- 54" Mechanical Angle (Req. Push Arm)	14080		X	(10)	(10)	
Cab - Soft Side (2)	14083	X	X	(15)	(15)	
Cruise Control Kit	1767512		(5)			
Dump Cart - 10.0 cu ft.	14076 (Nla) 14095 (Nla)	X (3)	X (3)	X (2)	X (3)	
GRS Attachment (f/42" & 48" Mowers)	14032 (Nla)	(11)	X	(11)	(11)	
Hitch - Sleeve Category	14082		(8)	(13)	(13)	
Hourmeter Kit	1768856 1773019 (Nla)	X	X	X X	X X	
Lift Kit - Electric	14105 14111	X	X	X X	X X	
- Lift Assist Spring Kit	1767979	(6)				
Mower - 36" Side Discharge	14110	X	(9)	(9)	(9)	
- 38" Mulching	14049 (Nla) 14094 (Nla)	X				
	14104	X	X	X	X	
38" Combo Deck	14112 14115	X	X	X X	X X	
42" Side Discharge	14051	X	X	X	X	
42" Rear Discharge	14060	(7)	X	(7)	(7)	
48" Side Discharge	14052	(11)	X	(11)	(11)	
Push Arm (f/Blade & Snowthrower)	14078 (Nla) 14114	(1) (1)	(1) (1)	(1) (1)	(1) (1)	
Snowthrower - 40" Two Stage (Req. Push Arm)	14037 (Nla)	(7)(11)	X	(7)(15)	(7)(15)	
- 38" Single Stage (Req. Push Arm)	14039	X	X	(15)	(15)	
Storage Cover	14087	X	X	X	X	
Tiller - 29" Rotary (Check for availability)	14038	(7)	X	(7)(15)	(7)(15)	
Tire/Wheel - Ag	14074 (Nla)		X	(5)	(5)	

Footnotes-Page 6

Note: Check for availability

LT ,GT & LTX TRACTOR ATTACHMENT INTERCHANGEABILITY

		LT	GT	LTX	LTX	
		13034	13039	13090	13112	
		13035	13040	13091	13113	
		13036	13046	13092	13114	
		13037	13047	13094	13115	
		13041	13053	13095	13123	
		13042	13054	13096	13124	
		13043	13078	13097	13125	
		13044		13099	13138	
				13102	13139	
				13103	13140	
				13104	13141	
				13105		
Decription	SKU/ Model					Remarks
Tire Chains (f/20x8.00-10)	1745130 (Nla)	X		(12)	(12)	
	14053	X		(12)	(12)	
(f/23x10.50-12)	1721585		X	(12)	(12)	
	16219 (Nla)		X	(12)	(12)	
Weight - Drawbar	30915	(7)	X	(7)	(7)	
Weights - Wheel (ea) 50 lbs. Front Cast Iron	14091		X	(5)	(5)	
- Wheel (ea) 50 lbs. Rear Cast Iron	14090	(7)	X	(7)	(7)	
- Wheel (ea) 34 lbs. Front Cast Iron	21741	(6)		(6)	(6)	

- 1 - Sub Frame Kit includes gear drive "shift-on-the-fly" Lock out Kit 1768809.
- 2 - Order all parts from Femco (316) 241-3513.
- 3 - World Cup Graphics.
- 4 - Not for Units with Low Back Seat.
- 5 - 16HP Only.(13094, 13099, 13105 & 13115)
- 6 - 13HP (13034, 13035, 13041, 13042, 13095, 13090, 13102 & 13112) 14HP (13123)
- 7 - Not for 13HP Gear Drive. (Models 13034, 13041,13102 & 13112))
- 8 - GT Series Only
- 9 - Not for units with 23" rear tires.
- 10 - Units with 23" rear tires only.
- 11 - Not recommended for 13Hp or 13.5Hp Models. (13034, 13035, 13041, 13042, 13090, 13091, 13095, 13096, 13102, 13103,13112 & 13113)
- 12 - Refer to tractor tire size.
- 13 - 16HP and larger with ground engaging transmissions ONLY. (13039, 13040 and 13053)
- 14 - Not recommended for gear drive units with less than 15HP
- 15 - Not recommended for 13Hp or 13.5Hp Models. (13034, 13035, 13041, 13042, 13090, 13091, 13095, 13096, 13102, 13103,13112 & 13113) Not recommended for gear drive units with less than 15HP

Nla-No longer available.

LAWN & YARD TRACTOR ATTACHMENT INTERCHANGEABILITY*

Description	Model	H11LT 1011H	G11LT 1011G	G16YT 2016G
Bagging Attachment (F/38" Mower)	10900 (Nia)	X	X	
Blade - 42" Mechanical Angle	10242 (Nia)	X	X	X
Dump Cart - 7.5 cu. ft.	16466 (Nia)	X	X	X
10 cu. ft.	16465 (Nia)	X	X	X
Mower - 38" Side Discharge	10038S (Nia)	X	X	
42" Side Discharge	20042S (Nia)			X
Snowthrower - 38" Single Stage	10136 (Nia)	X	X	(1)
Snowthrower Mounting Kit (Snowthrower)	20960 (Nia)			X
String Trimmer - 12 volt	6888 (Nia)	X	X	X
	30904 (Nia)	X	X	X
Tiller - 26" Rotary	20326 (Nia)			X
Tire Chains (F/20-8.00x10)	1745130 (Nia)	X	X	
	14053	X	X	
(F/22x7.50x12)	1863382			X
Wheel Weights (pr) 62lb. Rear Cast	10910 (Nia)	X	X	
75lb. Rear Cast	20910 (Nia)			X
50lb. Rear Cast	30902 (Nia)			X
50lb. Rear Cast	14090			X

1 - Requires Kit 20960

*NOTE: Attachments no longer available.

Nia-No longer available.

MEDIUM (TUBE) FRAME SERIES TRACTOR ATTACHMENT INTERCHANGEABILITY*

Description	Model	750	600	600	600	600	650	800	900	1000
		171 -01 172 -01	180 -01 -02	180 -03 -04	181 -01 -02	181 -03 -04	184 -01 185 -01	186 -01 187 -01	188 01-02 189 01-02	190 -01
Ammeter Kit	18701 (Nia)		X	X	X	X		X		
Blade - 42" Mechanical Angle	18531 (Nia)	X	X	X	X	X	X	X	X	X
	18532 (Nia)	X	X	X	X	X	X	X	X	X
Back Rest Assembly	18200 (Nia)	X	X	X	X	X	X	X	X	
Blade Angling Kit	19222 (Nia)	X	X	X	X	X	X	X	X	X
Cab - Softside (Original Cab Co)	18523 (Nia)								(10)	X
(14)	18700 (Nia)	X	X	X	X	X	X	X		
	18702 (Nia)	X	X	X	X	X	X	X	X	
	18705 (Nia)	X	X	X	X	X	X	X	X	X
	18706 (Nia)						X			
	18707 (Nia)	X	X	X	X	X	X	X	X	X
	18708 (Nia)	X	X	X	X	X	X	X	X	X
Dual Wheel Kit (F/8-12 Tire)	18827 (Nia)	X	X	X	X	X	X	X	(9)	
Dump Cart - 7.5 cu. ft.	16466 (Nia)	X	X	X	X	X	X	X	X	X
10 cu. ft.	16465 (Nia)							X	X	X
Hitch - Mower (F/18441 & 18442)	18478 (Nia)	X	X	X	X	X	X	X	X	X
(F/18449)	18479 (Nia)							X	X	X
(F/18457)	18480 (Nia)									X
3 Gang Mower	16442 (Nia)	X	X	X	X	X	X	X	X	X
5 Gang Mower	16443 (Nia)	X	X	X	X	X	X	X	X	X
Kit (F/18417 & 18422)	18425 (Nia)							X	X	X
Sleeve Category	18907 (Nia)	X	X	X	X	X	X	X	X	X
Thatcher	18410 (Nia)	X	X	X	X	X	X	X	X	X
Hub Caps - Chrome (1714144)	16999 (Nia)	X	X	X	X	X	X	X	X	X
Lift Kit - Hydraulic	18703 (Nia)							X	X	X
	18709 (Nia)							X	X	X
Light Kit - Dual Light	18201 (Nia)	(8)	X	X			(3)	(7)	(10)	X
	18720 (Nia)	(12)			X	X	(3)	(7)	(10)	X
	18721 (Nia)						(3)			

Footnotes-Page 8

Note: Check for availability

MEDIUM (TUBE) FRAME SERIES TRACTOR ATTACHMENT INTERCHANGEABILITY* (CONT'D)

Description	Model	750	600	600	600	600	650	800	900	1000
		171 -01 172 -01	180 -01 -02	180 -03 -04	181 -01 -02	181 -03 -04	184 -01 185 -01	186 -01 187 -01	188 01-02 189 01-02	190 -01
Mower - 32" Side Discharge	18440 (N/a)	(1)	O	O	O	O	(1)	(1)	(1)	(1)
	18441 (N/a)	(2)	(2)	X	(2)	O	X	X	X	X
	18442 (N/a)	O	(4)	(5)	(4)	(5)	O	X	X	X
38" Side Discharge	18445 (N/a)	NR	X	X	X	X	NR	NR	NR	NR
	18415 (N/a)	NR	NR	NR	NR	NR	NR	X	X	X
	18416 (N/a)	NR	NR	NR	NR	NR	NR	X	X	X
	18417 (N/a)	NR	NR	NR	NR	NR	NR	(6)	(6)	(6)
	18418 (N/a)	NR	NR	NR	NR	NR	NR	(11)	(11)	(11)
	18446 (N/a)	NR	NR	NR	NR	NR	NR	O	X	NR
42" Side Discharge	18449 (N/a)	NR	NR	NR	NR	NR	NR	X	O	O
	18420 (N/a)	NR	NR	NR	NR	NR	NR	NR	NR	X
	18421 (N/a)	NR	NR	NR	NR	NR	NR	NR	NR	X
	18422 (N/a)	NR	NR	NR	NR	NR	NR	NR	NR	(6)
	18423 (N/a)	NR	NR	NR	NR	NR	NR	NR	NR	(11)
	18457 (N/a)	NR	NR	NR	NR	NR	NR	NR	NR	O
PTO Kit - Front (540 RPM)	18704 (N/a)	X	X	X	X	X	X	X	X	X
	18905 (N/a)	X	X	X	X	X	X	X	X	X
Snowthrower - 32" Single Stage	18513 (N/a)	X	X	X	X	X	X	X	X	
	18514 (N/a)	X	X	X	X	X	X	X	X	
36" Single Stage	18516 (N/a)	X	NR	NR	NR	NR	X	X	X	X
38" Single Stage	18538 (N/a)	X	NR	NR	NR	NR	X	X	X	X
Spring Assist Kit	18520 (N/a)	X	X	X	X	X	X	X	X	X
Starter Kit Electric	18710 (N/a)	X			X	X	X	X	X	X
String Trimmer - 12 Volt	6888 (N/a)	X			X	X	X		X	X
	30904 (N/a)	X			X	X	X		X	X
Tiller - 22" Rotary	18608 (N/a)	X	(13)	(13)	(13)	(13)	X	X	X	X
	18609 (N/a)	X	X	X	X	X	X	X	X	X
Req.18612	18610 (N/a)	X						X	X	X
25" Rotary (Req.18612)	18614 (N/a)							X	X	X
Req.18612	18616 (N/a)							X	X	X
Tiller Driveshaft (1713549)	18611 (N/a)		X	X	X	X	X		X	X
(1713550)	18612 (N/a)							X	X	X
Tiller Ext. Kit (F/18614)	18615 (N/a)							X	X	X
(F/18616)	18617 (N/a)							X	X	X
(F/18608, 18609, 18610)	18837 (N/a)	X	X	X	X	X	X	X	X	X
Tire Chains (6-12)	16215 (N/a)	X	X	X	X	X	X		(9)	
(1716190) (8-12)	16217 (N/a)								(10)	X
Wheel Kit (F/18457)	18458 (N/a)									X
Wheel Weights - 70lbs. Front Cast Iron	21740 (N/a)	X	X	X	X	X	X	X	X	X
- 35lbs. (ea) Front Cast Iron	21741	X	X	X	X	X	X	X	X	X
100lbs. Pr. Rear Plastic	16168 (N/a)	X	X	X	X	X	X	X		X
50lbs. Ea. Rear Cast Iron	16156 (N/a)	X	X	X	X	X	X	X	X	X
	16167 (N/a)	X	X	X	X	X	X	X	X	X
	30902 (N/a)	X	X	X	X	X	X	X	X	X

N/R - Not Recommended

O - Original equipment

1 - Req. 1714890 Uni. Joint Assy.

2 - Req. 1716658 kit

3 - 185-01 only

4 - Req. 1716658 kit plus 3" shorter driveshaft

5 - Req. 3" shorter driveshaft

6 - See page 46, footnote 2, for required parts

7 - 187-01 only

*NOTE: Attachments no longer available.

8 - 172-01 only

9 - 188 only

10 - 189 only

11 - Req. 1722848 & 1722848 pins

12 - 172 only

13 - Req. 1713549

14 - Order all parts from Original Cab Co.

(317) 663-2214

N/a-No longer available

MEDIUM (TUBE) FRAME SERIES TRACTOR ATTACHMENT INTERCHANGEABILITY* (CONT'D)

Description	Model	850	1050	1220	1225	853	G9	1053	1054	G10	G11
		191 -01 -02	192 -01 -02	193 -01	194 -01	853 -01 thru -03	855 -01 -02	1053 -01 -02	1054 -01 thru -04	1055 -01 thru -03	1155 -01
Blade - 42" Mechanical Angle	18532 (Nla)	X	X	X	X	X	X	X	X	X	X
Blade Angling Kit	19222 (Nla)	X	X	X	X	X	X	X	X	X	X
Cab - Metal (Cozy Cab) (7) Soft Side (Original Cab Co.) (8)	18523 (Nla)	X	X	X	X	X	X	X	X	X	X
	18705 (Nla)	X	X	X		X	X	X	X	X	X
	18706 (Nla)	X				X	X				
	18707 (Nla)	X	X	X	X	X	X	X	X	X	X
	18708 (Nla)	X	X	X	X	X	X	X	X	X	X
Dump Cart - 7.5 cu. ft. 10 cu. ft.	16466 (Nla)	X	X	X	X	X	X	X	X	X	X
	16465 (Nla)	X	X	X	X	X	X	X	X	X	X
Hitch - Mower (F/18441 & 18442) (F/18449) (F/18480)	18478 (Nla)	X	X	X	X	X	X	X	X	X	X
	18479 (Nla)	X	X	X		X	X	X	X	X	X
	18480 (Nla)		X	X				X	X	X	X
3 Gang Mower	16442 (Nla)	X	X	X	X	X	X	X	X	X	X
5 Gang Mower	16443 (Nla)	X	X	X	X	X	X	X	X	X	X
Kit (F/18417)	18425 (Nla)	X	X	X	X	X	X	X	X	X	X
Thatcher	18410 (Nla)	X	X	X	X	X	X	X	X	X	X
Sleeve Category	18907 (Nla)	X	X	X	X	X	X	X	X	X	X
Hub Caps - Chrome (1714144)	16999 (Nla)	X	X	X	X	X	X	X	X	X	X
Lift Kit - Hydraulic	18703 (Nla)	X	X	X		X		X	X	(6)	X
	18709 (Nla)	X	X	X		X	X	X	X	(6)	X
Light Kit - Dual Light	18721 (Nla)	X				X			X	X	X
	18722 (Nla)								X	X	X
Mower - 32" Side Discharge 38" Side Discharge 42" Side Discharge	18440 (Nla)	(1)	(1)	(1)	NR	(1)	(1)	(1)	(1)	(1)	(1)
	18441 (Nla)	(3)	(3)	(3)	NR	(3)	(3)	(3)	(3)	(3)	(3)
	18442 (Nla)	X	X	X	NR	X	X	X	X	X	X
	18445 (Nla)	NR	NR	NR	NR	NR	NR	NR	NR	NR	NR
	18415 (Nla)	O	X	X	X	X	X	X	X	X	X
	18416 (Nla)	O	X	X	X	X	X	X	X	X	X
	18417 (Nla)	(2)	(2)	(2)	(2)	O	(2)	(4)	(2)	(2)	(2)
	18418 (Nla)	(5)	(5)	(5)	(5)	O	X	X	X	X	X
	18446 (Nla)	NR	NR	NR	NR	NR	NR	NR	NR	NR	NR
	18449 (Nla)	X	X	X	X	X	X	X	X	X	X
	18420 (Nla)	NR	X	O	O	NR	NR	X	X	NR	NR
	18421 (Nla)	NR	X	O	O	NR	NR	X	X	NR	NR
	18422 (Nla)	NR	(2)	(2)	(2)	NR	NR	O	X	NR	NR
	18423 (Nla)	NR	(5)	(5)	(5)	NR	NR	X	O	NR	NR
	18457 (Nla)	NR	X	X	X	NR	NR	X	X	NR	NR
Muffler-Hush Tone	16620 (Nla)		X		X			X	X		
	16621 (Nla)			X							
PTO Kit - Front (540 RPM)	18704 (Nla)	X	X	X	X	X	X	X	X	X	X
	18905 (Nla)	X	X	X	X	X	X	X	X	X	X
Snowthrower - 36" Single Stage 38" Single Stage	18516 (Nla)	X	X	X	X	X	X	X	X	X	X
	18538 (Nla)	X	X	X	X	X	X	X	X	X	X
Spring Assist Kit	18520 (Nla)	X	X	X		X	X	X	X	X	X
String Trimmer - 12 Volt	6888 (Nla)	X	X	X	X	X	X	X	X	X	X
	30904 (Nla)		X	X	X	X	X	X	X	X	X
Tiller - 22" Rotary (Req. 18612) 25" Rotary (Req. 18612) (Req. 18612) 33" Rotary	18608 (Nla)	X	X	NR	NR	X	X	X	X	X	X
	18610 (Nla)	X	X			X	X			X	X
	18614 (Nla)	X	X	X	X	X	X	X	X	X	X
	18616 (Nla)	X	X	X	X	X	X	X	X	X	X
18618 (Nla)		X	X	X	X	X	X	X	X	X	
Tiller Driveshaft (1713550)	18612 (Nla)	X	X	X	X	X	X	X	X	X	X
Tiller Ext. Kit (F/18616 & 18618) (F/18608, 18609 & 18610)	18617 (Nla)	X	X	X	X	X	X	X	X	X	X
	18837 (Nla)	X	X			X	X	X	X	X	X

Footnotes-Page 10

Note: Check for availability

MEDIUM (TUBE) FRAME SERIES TRACTOR ATTACHMENT INTERCHANGEABILITY* (CONT'D)

Description	Model	850	1050	1220	1225	853	G9	1053	1054	G10	G11
		191 -01 -02	192 -01 -02	193 -01	194 -01	853 -01 thru -03	855 -01 -02	1053 -01 -02	1054 -01 thru -04	1055 -01 thru -03	1155 -01
Tire Chains (176190) (8-12)	16217 (Nla)	X	X	X	X	X	X	X	X	X	X
Wheel Kit (F/18457 Mower)	18458 (Nla)		X								
Wheel Weights - 70lbs. Front Cast Iron	21740 (Nla)	X	X	X	X	X	X	X	X	X	X
- 35bs. (ea) Front Cast Iron	21741	X	X	X	X	X	X	X	X	X	X
50lbs. Ea. Rear Cast Iron	16167 (Nla)	X	X	X	X	X	X	X	X	X	X
	30902 (Nla)	X	X	X	X	X	X	X	X	X	X
100lbs. Rear Plastic	16168 (Nla)					X	X			X	X

1 - Req. 1714890 Uni. joint assy.

2 - Req. 1 - 1722455 Link

2 - 1703011 Spring Cotter

1 - 1722454 Control Link

4 - 1100350 Cotter pin

8 - 1106876 HHCS (5/16-18x7/8)

8 - 1182563 Hex Nut (5/16-18)

1 - 1720492 Lift Arm Assy.

1 - 1720493 Lift Arm Assy.

8 - 1100252 Lock Washer (5/16")

8 - 1100255 Flat Washer (5/16")

3 - Req. 1716309 Uni. joint assy.

4 - Req. Parts in "2" for 1053-01

Will fit without changes in 1053-02

5 - Req. (2) 1722848 & (2) 1722849 pins

6 - 1055-01 or 02 require 1731271 engine sheave

7 - Order all parts from Custom Products

(612) 693-3221.

8 - Order all parts from Original Cab Co.

(317) 663-2214

Nla-No longer available.

*NOTE: Attachments no longer available.

MEDIUM (TUBE) FRAME SERIES TRACTOR ATTACHMENT INTERCHANGEABILITY* (CONT'D)

Description	Model	1253	1254	G12	1256	1256	1257	G14	H14	1556	H16
		1253 -01 -02	1254 -01 thru -06	1255 -01	1256 -01	1256 -02 thru -07	1257 -01	1453 -01 thru -05	1456 -01 thru -04	1556 -01 thru -04	1656 -01 thru -04
Blade - 42" Mechanical Angle	18531 (Nla)	X	X	X	X	X	X	X	X	X	X
	18532 (Nla)	X	X	X	X	X	X	X	X	X	X
Blade Angling Kit	19222 (Nla)	X	X	X	X	X	X	X	X	X	X
	1767251	X	X	X	X	X	X	X	X	X	X
Cab - Metal (Cozy Cab) (9)	18523 (Nla)	X	X	X	X	X	X	X	X	X	X
Soft Side (Original Cab Co.) (10)	18705 (Nla)	X	X	X	X	X	X	X	X	X	X
	18707 (Nla)	X	X	X	X	X	X	X	X	X	X
	18708 (Nla)	X	X	X	X	X	X	X	X	X	X
Dump Cart - 7.5 cu. ft.	16466 (Nla)	X	X	X	X	X	X	X	X	X	X
10 cu. ft.	16465 (Nla)	X	X	X	X	X	X	X	X	X	X
Hitch - Mower (F/18441 & 18442)	18478 (Nla)	X	X	X				X			
(F/18449)	18479 (Nla)	X	X	X				X			
(F/18457)	18480 (Nla)	X	X	X				X			
3 Gang Mower	16442 (Nla)	X	X	X	X	X	X	X	X	X	X
5 Gang Mower	16443 (Nla)	X	X	X	X	X	X	X	X	X	X
Kit (F/18417 & 18422 Mower)	18425 (Nla)	X	X	X	X	X	X	X	X	X	X
Sleeve Category	18907 (Nla)	X	X	X	X	X	X	X	X	X	X
Hub Caps - Chrome (1714144)	16999 (Nla)	X	X	X	X	X	X	X	X	X	X
Lift Kit - Hydraulic	18703 (Nla)	X	X					X			
	18709 (Nla)	X	X					X			
Light Kit - Dual Light	18721 (Nla)			X							
Tail Light	18723 (Nla)			X				X	X		(6)
	19214 (Nla)			X				X	X		X

Footnotes-Page 11

Note: Check for availability

MEDIUM (TUBE) FRAME SERIES TRACTOR ATTACHMENT INTERCHANGEABILITY* (CONT'D)

Description	Model	1253	1254	G12	1256	1256	1257	G14	H14	1556	H16
		1253 -01 -02	1254 -01 thru -06	1255 -01	1256 -01	1256 -02 thru -07	1257 -01	1453 -01 thru -05	1456 -01 thru -03	1556 -01 thru -04	1656 -01 thru -04
Mower - 32" Side Discharge 38" Side Discharge 42" Side Discharge	18440 (Nla)	(1)	(1)	(1)	NR	NR	NR	(1)	NR	NR	NR
	18441 (Nla)	(3)	(3)	(3)	NR	NR	NR	(3)	NR	NR	NR
	18442 (Nla)	X	X	X	NR	NR	NR	X	NR	NR	NR
	18445 (Nla)	NR	NR	NR	NR	NR	NR	NR	NR	NR	NR
	18415 (Nla)	X	X	X	(5)	(5)	(5)	X	(5)	(5)	(5)
	18416 (Nla)	X	X	X	(5)	(5)	(5)	X	(5)	(5)	(5)
	18417 (Nla)	(4)	(2)	(2)	X	(2)	X	(2)	(2)	(2)	(2)
	18418 (Nla)	(8)	(8)	(8)	(8)	(8)	(8)	X	X	X	X
	18446 (Nla)	X	X	X	NR	NR	NR	NR	NR	NR	NR
	18449 (Nla)	X	X	X	NR	NR	NR	X	NR	NR	NR
	18420 (Nla)	X	X	X	(5)	(5)	(5)	X	(5)	(5)	(5)
	18421 (Nla)	X	X	X	(5)	(5)	(5)	X	(5)	(5)	(5)
	18422 (Nla)	(4)	(2)	(2)	O	(2)	O	X	(2)	(2)	(2)
18423 (Nla)	(8)	O	O	(8)	O	O	O	O	O	O	
18457 (Nla)	X	X	X	NR	NR	NR	X	NR	NR	NR	
Muffler - Hush Tone	16620 (Nla)			X	X	X					
	16621 (Nla)	X					X			X	
PTO Kit - Front (540 RPM)	18704 (Nla)	X	X	X	X	X	X	X	X	X	X
	18905 (Nla)	X	X	X	X	X	X	X	X	X	X
Snowthrower - 36" Single Stage 38" Single Stage	18516 (Nla)	X	X	X	X	X	X	X	X	X	X
	18538 (Nla)	X	X	X	X	X	X	X	X	X	X
Snowthrower Handle Support Spacer	18526 (Nla)				X	X	X		X	X	X
Spring Assist Kit	18520 (Nla)	X	X	X				X			
String Trimmer- 12 Volt	6888 (Nla)	X	X	X	X	X	X	X	X	X	X
	30904 (Nla)	X	X	X	X	X	X	X	X	X	X
Tiller - 25" Rotary (Req. Tiller Driveshaft) (Req. Tiller Driveshaft) 33" Rotary	18614 (Nla)	X	X	X	X	X	X	X	X	X	X
	18616 (Nla)	X	X	X	X	X	X	X	X	X	X
	18618 (Nla)	X	X	X	X	X	X	X	X	X	X
Tiller Driveshaft (1713550)	18612 (Nla)	X	X	X	X	X	X	X	X	X	X
Tiller Ext. Kit (F/18616 & 18618)	18615 (Nla)	X	X	X	X	X	X	X	X	X	X
	18617 (Nla)	X	X	X	X	X	X	X	X	X	X
Tire Chains (1716190) (8-12) (1721585) (23X10.50-12)	16217 (Nla)	X			X	X	X			X	X
	16219 (Nla)		X	X				X	X	X	X
Wheel Kit (F/18457)	18458 (Nla)	X	X	X				X			
Wheel Weights 70lbs. Front Cast Iron 35lbs. (ea) Front Cast Iron 50lbs. (ea). Rear Cast Iron	21740 (Nla)	X	X	X	X	X	X	X	X	X	X
	21741	X	X	X	X	X	X	X	X	X	X
	16167 (Nla)	X	X	X	X	X	X	X	X	X	X
	30902 (Nla)	X	X	X	X	X	X	X	X	X	X
	14090	X	X	X	X	X	X	X	X	X	X
100lbs. Pr. Rear Plastic	16168 (Nla)			X							

O - Original Equipment

NR - Not Recommended

1 - Req. 1714890 uni. joint assy.

2 - See page 46, footnote 2, for required parts

3 - Req. 1716309 uni. joint

4 - Req. parts in "2" for 1253-01 will fit without changes on 1253-02.

*NOTE: Attachments no longer available.

5 - Req. 1722454 & 1722455 links

6 - Will fit 1656-02 through -04

7 - Will not fit with Ag. tires

8 - Req. (2) 1722848 & (2) 1722849 pins

9 - Order all parts from Custom Products (612) 693-3221.

10 - Order all parts from Original Cab Co. (317) 663-2214.

Nla-No longer available.

MEDIUM FRAME SERIES TRACTOR ATTACHMENT INTERCHANGEABILITY*

Description	Model	H11XL	G11XL	G11XL	H12XL	G12XL	H14XL	GT14	GT14
		1058 -01-02	1060 -01-02	1160 -01-02	1258 -01-02	1261 -01-02 1400G 1463 -01	1458 -01-02 -03	1460 -01	1460 -02
Arm Rest Kit (1734870)	18106 (Nla)						(5)		X
Bagging Attachment									
• Pwr. Pkr. Plus (Req. Cart Collector or 2 Bag Hopper)	30917 (Nla)	X	X	X	X	X	X	X	X
• Cart Collector (Req. 30917) 17 Bushel	30921	X	X	X	X	X	X	X	X
• 2 Bag Hopper (Req. 30917) 6 Bushel	50922 (Nla)	X	X	X	X	X	X	X	X
Blade - 42" Mechanical Angle	18305-01							X	
	18305-02 & Later	X	X	X	X	X	X	X	X
Blade Angling Kit	19222 (Nla)	X	X	X	X	X	X	X	X
	1767251	X	X	X	X	X	X	X	X
Cab-Soft Side (Original Cab Co.) (23)	19708 (Nla)	X	X	X	X	X	X	X	X
Hard Top	50930 (Nla)	X	X	X	X	X	X		
Cruise Control Kit (1739017)	18326-01 (Nla)	X			X		X		
- (1746636)	18326-02-03 (Nla)	(20)			(20)		(20)		
Dump Cart - 7.0 cu. ft.	16466 (Nla)	X	X	X	X	X	X	X	X
-10.0 cu. ft.	16465 (Nla)	X	X	X	X	X	X	X	X
Hitch - Rear Attachment Kit (18)	18340 (Nla)	X	X	X	X	X	X		
-Sleeve Category (15) (19)	18330-01 (Nla)							X	X
- (15)	18330-02 (Nla)	(19)	(19)	(19)	(19)	(19)	(19)		
- (15)	18330-03 (Nla)	(13)	(13)	(13)	(13)	(13)	(13)		
Hour Meter Kit (1754550)	18096 (Nla)	X	X	X	X	X	X		X
Hub Caps - Chrome (1714144)	16999 (Nla)	X	X	X	X	X	X	X	X
Lift Kit - Electric	18325-01 (Nla)							X	
	18325-02 (Nla)							X	X
	18325-03 (Nla)		X	X		X		(4)	(4)
-Hydraulic (1734450)	18327 (Nla)	X			X				
Light Kit - Dual Tail (1734856)	18723 (Nla)				X	X	X	X	X
-Head & Tail (1734616)	18724 (Nla)	X	X	X					
Mower - 42" Side Discharge	18300 (Nla)	(0)	(0)	(0)	(0)	(0)	(0)	(0)	(0)
42" Rear Discharge (17)	18335 (Nla)	X	X	X	X	X	X	X	X
48" Side Discharge	18301 (Nla)					(14)	X	X	X
	18338 (Nla)						X	X	X
48" Rear Discharge	18336 (Nla)					(21)	X	X	X
Mulching Attachment (GRS)									
(F/42" Side Discharge Mowers)	34501 (Nla)	X	X	X	X	X	X	X	X
(F/48" Side Discharge Mowers)	34501 (Nla)					X	X	X	X
PTO Kit " (F/Tiller, Snowthrower)	18309-01 (Nla)							(1)	
	18309-02 (Nla)	(2)	(2)	(2)	(2)	(2)	X		X
	18309-04-05 (Nla)	(7)	(7)	(7)	(7)	(7)	(7)		
(9)	18318 (Nla)	(8)	(8)	(8)	X	X	(8)		
Snowthrower - 38" Single Stage (w/18309-01 PTO Kit) (Req. PTO Kit)	18311-01							X	
46" 2-Stage (Req. Mount Kit & PTO)	18311-02 & Later 50146 (Nla)	X	X	X	X	X	X	(3)	X
Snowthrower Mounting Kit (F/50146)	18346 (Nla)					(14)	X		
Snowthrower Shoe Kit (F/18311-03-04)	18314 (Nla)	X	X	X	X	X	X		X
Storage Cover	50914 (Nla)	X	X	X	X	X	X	X	X
String Trimmer 12 Volt	6888 (Nla)	X	X	X	X	X	X	X	X
12 Volt	30904 (Nla)	X	X	X	X	X	X	X	X

Footnotes-Page 13

Note: Check for availability

MEDIUM FRAME SERIES TRACTOR ATTACHMENT INTERCHANGEABILITY* (CONT'D)

Description	Model	H11XL	G11XL	G11XL	H12XL	G12XL	H14XL	GT14	GT14
		1058 -01-02	1060 -01-02	1160 -01-02	1258 -01-02	1261 -01-02 1400G -01	1458 -01-02 -03	1460 -01	1460 -02
Tiller - 25" Rotary (Req. Tiller Adapter) - 33" Rotary (12) (Req. 18309-02/05 PTO & 18340 Hitch) (Req. 18309-02/05 PTO) (13) (Req. 18318 PTO Kit)	18616 (Nla)	X	X	X	X	X	X	(16)	(16)
	18315-01 (Nla)							X	X
	18315-02 (Nla)	X	X	X	X	X	X		
	18315-03 (Nla)	(11)	(11)	(11)	(11)	(11)	(11)		
	18315-04-05 (Nla)	(11)	(11)	(11)	(11)	(11)	(11)		
18322 (Nla)	(8)(10)	(8)(10)	(8)(10)	(8)(10)	(8)(10)	(8)(10)			
Tiller Ext. Kit (f/18315,18322 Tiller) (6)	18320-01 (Nla)							X	
	18320-02-03 (Nla)	X	X	X	X	X	X		X
Tire Chains (1716190) (f/8-12) (1721585) (f/23x10.50-12)	16217 (Nla)	X	X						
	16219 (Nla)			X	X	X	X	X	X
Tire Kit - Ag. (23x8.50-12)	18841 (Nla)	X	X	X	X	X	X	X	X
Vac Attachment - Peco (Req. 18029)	50966 (Nla)	(22)	(22)	(22)	(22)	(22)	(22)	(22)	(22)
Weight Carrier (Req. 5 ea. 1319)	51951 (Nla)	X	X	X	X	X	X	X	X
Weight, Wheel 35lbs. (ea) Front Cast Iron	21741	X	X	X	X	X	X	X	X
	18029 (Nla)	X	X	X	X	X	X	X	X
	16168 (Nla)	X	X	X	X	X	X	X	X
	16167 (Nla)	X	X	X	X	X	X	X	X
	30902 (Nla)	X	X	X	X	X	X	X	X
	14090	X	X	X	X	X	X	X	X

NR - Not recommended.

0 - Original Equipment

1 - Sold as part of tiller & snow caster. Use with any snow caster, 18315-01 tiller or any other tiller with 18315-01 driveshaft (1726891) (51-3/16").

2 - Req. relocate Pin in front bolster to higher position.

3 - Req. 18309 PTO originally sold with 18311-01 snow caster.

4 - Decal change required, order 1729314.

5 - Fits 1458-02 & 03 only.

6 - For use with 18315-01 tiller attachment. Clevis pin 1732053 & 1732481 hub assy. Replace parts 1706419 & 1729543 assy.

7 - 1058-02, 1060-02, 1463 & 1458-02, relocate upper pin to lower hole.

8 - Req. front bolster 1738561.

9 - 18315 tiller req. 1738559 driveshaft (50-1/16").

*NOTE: Check for availability.

10 - 18309-02/05 can be used with 18322 if driveshaft 1733911 is ordered. (54-5/16").

11 - 18318 can be used with 18315 if driveshaft 1738559 is ordered.

12 - Includes 18309.

13 - Includes 18340 (1733854 & 1733855) hitch arms.

14 - Use with 1463 only.

15 - Use with 18908, 18910, 18911, 18923 & 18955.

16 - Extra holes in rear of frame required.

17 - 18335-02 requires 1726701 belt.

18 - Consisted of 1733854 & 1733755 hitch arm assemblies.

19 - Requires 18340 hitch kit.

20 - Requires brake pedal 1738449.

21 - Use 1739080 belt (78.8)1453 only.

22 - Purchase from Peco Co. 1-800-438-5823.

23 - Order all parts from Original Cab Co. (317) 663-2214.

Nla-No longer available.

MEDIUM FRAME SERIES TRACTOR ATTACHMENT INTERCHANGEABILITY* (CONT'D)

		G14XL 1461 -01-02	H16XL 1658 -01-02	H16XT 1659 -01 1600H 1668/HR 1668L 1669 1669L	G16XL 1661 -01-02 03 1468	G16XT 1662 1600G 1667 1400G 1467	G16X1 1663 -01-02	H16X1 1664 -01-02	H18X' 185 -01-02
Description	Model								
Bagging Attachment	14058	X	X	X	X	X	X	X	X
•Pwr. Pkr. Plus	30917/R (Nla)	X	X	X	X	X	X	X	X
(Req. Cart Collector or Bag Hopper)									
•Cart Collector (Req. PowerPacker Plus)	14070 (Nla)	X	X	X	X	X	X	X	X
	30921/R	X	X	X	X	X	X	X	X
•2 Bag Hopper (Req. PowerPacker Plus)	14069	X	X	X	X	X	X	X	X
	50922/R (Nla)	X	X	X	X	X	X	X	X
Blade - 42" Mechanical Angle	18305 (Nla)	X	X	X	X	X	X	X	X
Blade Angling Kit	19222 (Nla)	X	X	X	X	X	X	X	X
Cab - Soft Side (Original Cab Co.) (17)	14075 (Nla)	X	X	X	X	X	X	X	X
- Hard Top	50930 (Nla)	X	X	X	X	X	X	X	X
Cruise Control Kit (1739017)	18326-01 (Nla)		X	X				X	X
(1746636)	18326-02-03 (Nla)		(15)	(15)					(15)
Dump Cart - 10.0 cu. ft.	14076 (18) (Nla)	X	X	X	X	X	X	X	X
	14095 (18) (Nla)	X	X	X	X	X	X	X	X
Hitch - Rear Attachment Kit (2)	18340 (Nla)	X	X	X	X	X	X	X	X
- Sleeve Category (16)	18330-02 (Nla)	X	X	X	X	X	X	X	X
(14)	18330/R (Nla)	X	X	X	X	X	X	X	X
Hour Meter Kit (1754550)	18096 (Nla)	X	X	X	X	X	X	X	X
Hub Caps - Chrome (1714144)	16999 (Nla)	X	X	X	X	X	X	X	X
Lift Kit - Electric	18325-02 (Nla)	X			X		X		
	18325-03 (Nla)	X			X	X	X		
- Hydraulic (1734450)	18327 (Nla)			X				X	
Light Kit - Dual Tail (1734856)	18723 (Nla)	X	X	X	X	X	X	X	X
Mower - 42" Side Discharge	14023	(0)(9)	(0)(9)	(0)(6)	(0)(9)	(0)(6)	(0)(9)	(0)(9)	(0)(9)
	18300 (Nla)	(9)	(9)	(6)	(9)	(6)	(9)	(9)	(9)
- 42" Rear Discharge	14031 (Nla)	(9)	(9)	(6)	(9)	(6)	(9)	(9)	(9)
	18335 (Nla)	(9)	(9)	(6)	(9)	(6)	(9)	(9)	(9)
- 48" Side Discharge	14024 (Nla)	(10)	(10)	(7)	(10)	(7)	(10)	(10)	(10)
	18301/R (Nla)	(10)	(10)	(7)	(10)	(7)	(10)	(10)	(10)
	18338 (Nla)	(9)	(9)	(6)	(9)	(6)	(9)	(9)	(9)
- 48" Rear Discharge	18336 (Nla)	(10)	(10)	(7)	(10)	(7)	(10)	(10)	(10)
Mulching Attachment (GRS)	14011	X	X	X	X	X	X	X	X
(f/42" & 48" Side Discharge Mowers)	14032 (Nla)	X	X	X	X	X	X	X	X
	34501 (Nla)	X	X	X	X	X	X	X	X
PTO Kit - (f/Tiller, Snowthrower)	18309-02 (Nla)	(11)	(11)	(8)	(11)	(8)	(11)	(11)	(11)
	18309-03/05(Nla)	(3)(11)	(3)(11)	(8)	(3)(11)	(8)	(3)(11)	(3)(11)	(3)(11)
(5)(13)	18318/R (Nla)	(4)(11)	(4)(11)	(8)	(4)(11)	(8)	(4)(11)	(4)(11)	(4)(11)
Snowthrower- 38" Single Stage	18311/R (Nla)	X	X	X	X	X	X	X	X
(Req. 18309-02/04 PTO Kit)									
46" 2-Stage (Req. PTO Kit &	50146 (Nla)	X	X	X	X	X	X	X	X
18346 Mounting Kit									
Snowthrower Mounting Kit (f/2 Stage)	18346 (Nla)	X	X	X	X	X	X	X	X
Snowthrower Shoe Kit (f/18311-03-04)	18314 (Nla)	X	X	X	X	X	X	X	X
Storage Cover	14077 (Nla)								
	50914 (Nla)	X	X	X	X	X	X	X	X
String Trimmer - 12 Volt	6888 (Nla)	X	X	X	X	X	X	X	X
	30904 (Nla)	X	X	X	X	X	X	X	X

Footnotes-Page 15

Note: Check for availability

MEDIUM FRAME SERIES TRACTOR ATTACHMENT INTERCHANGEABILITY* (CONT'D)

Description	Model	G14XL	H16XL	H16XT	G16XL	G16XT	G16X1	H16X1	H18XL
		1461 -01-02	1658 -01-02	1659 -01 1600H 1668/HT 1668L 1669 1669L	1661 -01-02	1662 1600G 1667 1400G 1467 1468	1663 -01-02	1664 -01-02	1858 01-02
Tiller - 33" Rotary (Req. PTO & Hitch)	18315-03 (Nla)		X	X		X		X	X
(Req. 18309-02/05 PTO)	18315-04-05(Nla)	X	X	X	X	X	X	X	X
(Req. 18318 PTO Kit)	18322/R (Nla)	(4)	(4)	X	(4)	X	X	X	X
Tiller Ext. Kit	18320-02-03(Nla)	X	X	X	X	X	X	X	X
Tire Chains (1721585)	16219 (Nla)	X	X	X	X	X	X	X	X
(f/23x10.50-12)									
(1716190)	16217 (Nla)	X	X	X	X	X	X	X	X
(f/23x8.50-12)									
Tire Kit - Ag. (23x8.50-12)	18841 (Nla)	X	X	X	X	X	X	X	X
Vac Attachment - Peco (Req.18029 Front Wheel Weights)	50966 (Nla)	X	X	X	X	X	X	X	X
Weight Carrier (Req. 5 ea. 1319 Weights)	51951 (Nla)	X	X	X	X	X	X	X	X
Weight, Wheel(s)- 70 lbs. Front Cast Iron	18029 (Nla)	X	X	X	X	X	X	X	X
	14091								
- 35 lbs. (ea) Front Cast Iron	21741	X	X	X	X	X	X	X	X
- 50 lbs. (ea) Rear Cast Iron	14090	X	X	X	X	X	X	X	X
	16167 (Nla)	X	X	X	X	X	X	X	X
	30902 (Nla)	X	X	X	X	X	X	X	X
-100 lbs. (pr) Rear Plastic	16168 (Nla)	X	X	X	X	X	X	X	X

NOTE: Check for availability.
Nla-No longer available.

0.- Original Equipment

- 1 - Req. relocate pin in front bolster to higher position.
- 2 - Consists of 1733854 & 1733855 hitch arms.
- 3 - 1461-01, 1658-02, 1661-01, 1667, 1668 & 1662 -
Relocate upper pin to lower hole.
- 4 - Requires front bolster 1738561.
- 5 - 18315 Tiller req. (50-1/16") Driveshaft.
- 6 - Use 1741576 belt (81.38").
- 7 - Use 1741577 belt (83.25").
- 8 - Use 1741578 belt (42.38).
- 9 - Use 1726701 V-Belt (77.00).

10 - Use 1739080 V-Belt (78.86).

11 - Use 1742385 V-Belt (38.31).

12 - 18309-02/05 can be used with 18322 if driveshaft
1733911 (54-5/16") is ordered.

13 - 18318 can be used with 18315 and driveshaft
1738559.

14 - Includes 18340 with hitch arm 1733854 &
1733755.

15 - Requires brake pedal 1738449.

16 - Requires 18340 Hitch Kit.

17 - Order all parts from Original Cab Co.
(317) 663-2214.

18 - World Cup Graphics

"Q" SERIES & 1900 SERIES TRACTOR ATTACHMENT INTERCHANGEABILITY*

Description	Model	QS16 1660 -01-02	QT16 1666 -01 thru -04	QT16 1666 -05	QT17 1666 -06	QT17 1666 -07 thru -11	1900 1966
Arm Rest Kit (1734890)	18106 (Nla)			X	X	X	X
Blade - 54" Mech. Angle (Req. Push Arm)	19220 (Nla)	X	X	X	X	X	X
Blade Angling Kit	19222 (Nla)	X	X	X	X	X	X
	1767251	X	X	X	X	X	X
Cab - Soft Side (Original Cab Co.) (3)	19709-01 (Nla)	X	X	X	X	X	X
	19709-02 (Nla)		(1)	X	X	X	X
	50930 (Nla)	X	X	X	X	X	X
Cruise Control Kit (1738849)	19226 (Nla)	X	X	X	X	X	X
Dual Wheel Kit (1735556)	19205 (Nla)	(2)	(2)	(2)	(2)	(2)	(2)
Dump Cart - 7.5 cu. ft.	16466 (Nla)	X	X	X	X	X	X
10.0 cu. ft.	16465 (Nla)	X	X	X	X	X	X
Hitch - 3 Point (Category "O") (Req. Lift Kit)	19200 (Nla)	X	X	X	X	X	
Hour Meter Kit (1734857)	18096 (Nla)	X					
Hub Caps - Chrome (1714144)	16999 (Nla)	X	X	X	X	X	X
Lift Kit (f/Hitch & Tiller)	19245 (Nla)	X	X	X	X	X	X
Light Kit Marker (1739640)	19214 (Nla)	X	X	X			
Mower - 48" Side Discharge	19210 (Nla)	(0)	(0)	(0)	X	X	X
	19211 (Nla)	X	X	X	(0)	(0)	(0)
48" Rear Discharge	19209 (Nla)	X	X	X	X	X	X
54" Side Discharge	19212 (Nla)					(0)	(0)
Oil Cooler Kit - Hydro (1735150)	19201 (Nla)			X	X	X	X
PTO Kit - Rear (2000 RPM)	19246 (Nla)	X	X	X	X	X	X
Push Arm (f/Blade & Snowthrower)	19250 (Nla)	X	X	X	X	X	X
Snowthrower- 42" Sgl. Stg. (Req. Push Arm)	19240 (Nla)	X	X	X	X	X	X
- 46" 2 Stg. (Req. Push Arm & Mounting Kit)	50146 (Nla)	X	X	X	X	X	X
Snowthrower Ext. Kit (1719704) (f/19240)	18043 (Nla)	X	X	X	X	X	X
Snowthrower Mounting Kit (f/50146)	50962 (Nla)	X	X	X	X	X	X
Storage Cover	30914 (Nla)	X	X	X	X	X	X
String Trimmer - 12 Volt	6888 (Nla)	X	X	X	X	X	X
	30904 (Nla)	X	X	X	X	X	X
Tiller - 33" Rotary (Req. Lift Kit)	19230 (Nla)	X	X	X	X	X	X
Tiller Extension Kit - 8"	18617 (Nla)	X	X	X	X	X	X
Tire Chains (1721585) (f/23x10.50-12)	16219 (Nla)	X	X	X	X	X	X
Weight, Wheel(s) (pr) 70 lbs. Front Cast Iron	18029 (Nla)	X	X	X	X	X	X
	18031 (Nla)	X	X	X	X	X	X
	18032 (Nla)	X	X	X	X	X	X
-100 lbs. (pr) Rear Plastic	16168 (Nla)	X	X	X	X	X	X
- 50 lbs. (ea) Rear Cast Iron	16167 (Nla)	X	X	X	X	X	X
	30902 (Nla)	X	X	X	X	X	X
	14090	X	X	X	X	X	X

***NOTE:** Attachments are no longer available.

Nla-No longer available.

0 - Original equipment.

1 - Will not fit 1666-01.

2 - Not recommended with a mower.

3 - Order all parts from Original Cab Co. (317) 663-2214.

5000/5100/GTX SERIES TRACTOR ATTACHMENT INTERCHANGEABILITY*

Description	Model	1700 5017G 5017H 1800 5018H	1900 5019H 2000 5020H	GT1700 5117H GT2000 5120H 13063	GT1800 5118H/R 5118HS 13061	GTX 13060 13062 13074 13076 13101
Arm Rest Kit	1767510					(21)
Axle Kit (f/51611)	51911 (N/a)			X	X	
Bagging Attachment-						
• PowerPacker Plus (f/42" & 48" Mowers) (Req. Cart Collector or Bag Hopper)	14058 30917/R (N/a)	(11) (11)	(11) (11)	(11) (11)	(11) (11)	(11) (11)
• Cart Collector (Req. PowerPacker Plus)	14070 (N/a)	X	X	X	X	X
	30921	X	X	X	X	X
•2 Bag Hopper (Req. PowerPacker Plus)	14069	X	X	X	X	X
	50922/R (N/a)	X	X	X	X	X
Blade - 54" Mechanical Angle (Req. Push Arm)	14068 (N/a)	X	X	X	X	X
	19220/R (N/a)	X	X	X	X	X
54" Hydraulic Angle (Req. Push Arm)	14064 (N/a)		X	X		(23)
	B50254 (N/a)		X	X		(23)
54" Mechanical Angle (Req. Push Arm)	14101			X	X	X
Blade Angling Kit (f/19220 Blade) (f/14068 Blade)	19222 (N/a) 1767251	X X	X X	X X	X X	X X
Cab - (Femco) (15) -Soft Side (Original Cab Co.) (14) -(Femco) (15)	14075 (N/a) 50930 (N/a) 51930 (N/a)		X X	X X	X X	X X
Cruise Control Kit (1748795)(Not for 13101) Optional Kit F/ 13101	18326 (N/a) 1772747	(1)	(0)	(0)	(0)	(0)
Dump Cart - 10.0 cu. ft.	14076 (N/a)	X	X	X	X	X
- 7.5 cu. ft.	14095 (N/a)	(20)	(20)	(20)	(20)	(20)
- 10.0 cu. ft.	16466 (N/a) 16465 (N/a)	X X	X X	X X	X X	X X
Engine Block Heater - 400w/120v	51970 (N/a)			(2)		
GRS (f/42" & 48" Mowers)	14011 14032 (N/a) 34501 (N/a)	X X X	X X X	X X X	X X X	X X X
Hitch - Sleeve Category	14071	X	X	X	X	X
- 3 Point (Category "O")	50961 (N/a) 14072	X X	X X	X X	X X	X X
	50964 (N/a)	X	X			
	51964 (N/a)	X	X	X	X	X
-Male Quick (f/14067 Push Arm)	1766549 (N/a)			X	X	X
Hourmeter Kit (1754550)	18096 (N/a)	(0)	(0)	(0)	(0)	(0)
Hydraulic Angling Kit (18) (For 14101 Only)	14102			X		(23)
Lift Kit - Electric	50960 (N/a)	(3)				
Loader w/40" Bucket	14066 51611 (N/a)			(12) (12)		(12)(23) (12)(23)
Mower - 42" Side Discharge	14025 (N/a) 50042S (N/a) 50042R (N/a)	(5) X X	(5) X X	X (4) (4)	X (4) (4)	X (4) (4)
	51042S (N/a)	(5)	(5)	X	X	X
	51042R (N/a)	(5)	(5)	X	X	X
48" Side Discharge	14026	(5)	(5)	X	X	X
	50048S (N/a)	X	X	(4)	(4)	(4)
	51048S/R (N/a)	(5)	(5)	X	X	X

Decks cont'd on page 18

5000/5100/GTX SERIES TRACTOR ATTACHMENT INTERCHANGEABILITY* (CONT'D)

Description	Model	1700	1900	GT1700	GT1800	GTX
		5017G 5017H 1800 5018H	5019H 2000 5020H	5117H GT2000 5120H 13063	5118H/R 5118HS 13061	13060 13062 13074 13076 13101
Mower Decks cont'd						
48" Rear Discharge	14030 (N/a)	(5)	(5)	X	X	X
	50048R (N/a)	X	X	(4)	(4)	(4)
	51048R (N/a)	(5)	(5)	X	X	X
60" Side Discharge	14061		(6)	X	X	(23)
	50060S (N/a)		X	(7)	(7)	(7)(23)
	51060S/R(N/a)		(6)	X		(23)
	51950 (N/a)		(22)	(22)		(22)
Mower Gauge Wheel Kit (Casters f/60")						
Mower Gauge Wheel Handle Kit (used w/PowerPacker Plus)						
(F/50042S & 51042S-01 Mowers)	51942 (N/a)	X	X	X	X	X
(F/50048S & 50048S-01 Mowers)	51948 (N/a)	X	X	X	X	X
Power Steering Kit	51961 (N/a)			STD	(13)	STD
Push Arm (f/Blade or Snowthrower)	14067	X	X	(16)	(16)	(16)
	14089 (N/a)			(17)	(17)	(17)
	50965 (N/a)	X	X	(10)	(10)	(10)
	51965/R (N/a)	X	X	X	X	X
Snowthrower - 42" Single Stage (Req. Push Arm)	14062 (N/a)	X	X	X	X	X
	50142/R (N/a)	X	X	X	X	X
46" Two Stage (Req. Push Arm)	14063 (N/a)	X	X	(18)	(18)	(18)
	B50146 (N/a)	(25)	(25)	(25)	(25)	(25)
- 46" Two Stage (Req. Push Arm)	14100	X	X	X	X	X
Snowthrower Mounting Kit (F/50146 Snowthrowers)	50962 (N/a)	X	X			
	51963 (N/a)			X	X	X
Storage Cover	50914 (N/a)	X	X	X	X	X
String Trimmer - 12 Volt	6888 (N/a)	X	X	X	X	X
	30904 (N/a)	X	X	X	X	X
Tiller - 33" Rotary	14065	(9)	(9)	X	X	X
	50333 (N/a)	X	X	(8)	(8)	(8)
	51333/R (N/a)	(9)	(9)	X	X	X
Tiller Tine Ext. Kit	18617 (N/a)	X	X	X	X	X
Tire Chains (1721585) (f/23x10.50-12)	16219 (N/a)	X	X	X	X	X
Tire Kit - Ag (23x10.50-12)	16662 (N/a)	X	X	X	X	X
Ag-(23x10.50-12)	14074 (N/a)	X	X	X	X	X
Vac Attachment - Peco (Req.18029 Wheel Weight)	50966 (N/a)	X	X			
Weight Carrier (Req. 5 ea. 1319 Weights)	14073	X	X	X	X	X
	51951 (N/a)	X	X	X	X	X
Weight - 35lbs. (ea) (F/weight carrier)	B1319 (N/a)	X	X	X	X	X
Weight, Wheel(s) - 50 lbs. (ea) Rear Cast Iron	14090	X	X	X	X	X
	16167 (N/a)	X	X	X	X	X
	30902/R (N/a)	X	X	X	X	X
- 50 lbs. (ea) Front Cast Iron	14091	X	X	X	X	X
	18029 (N/a)	X	X	X	X	X
	18030 (N/a)	X	X	X	X	X
	18031 (N/a)	X	X	X	X	X
	18032 (N/a)	X	X	X	X	X
Wheel Covers - Chrome	1714144	X	X	X	X	X

Footnotes-Page 19

Note: Check for availability

***NOTE: Check for availability.**

- 0 - Original Equipment
- 1 - Not for 5017G.
- 2 - 5117H only - diesel.
- 3 - 5017G only.
- 4 - Shorten driveshaft .75 inches.
- 5 - Use driveshaft 1744906.
- 6 - Use driveshaft 1748283.
- 7 - Shorten driveshaft 1.25 inches.
- 8 - Use driveshaft 1755221.
- 9 - Use driveshaft 1744925.
- 10 - Redrill mounting holes 1/2" fwd on snowthrower attachment.
- 11 - 50042S, 50048S, 51042S-01 & 51048S-01 require gage wheel handle kit.
- 12 - Includes 4 ply front tires. 5117H-02, 5118HS-01 & 5120H-02 require 51911 axle kit. Does not fit 5118H. Wheel weights & counter weight recommended (51951 & 1319).
- 13 - 5118H only.
- 14 - Order all parts from Original Cab Co. (317) 663-2214.
- 15 - Order all parts from Femco (316) 241-3513.
- 16 - Black push arm f/blades (req. quick hitch f/14063 snowthrower).
- 17 - With quick hitch.
- 18 - With quick hitch (req. push arm w/quick hitch).
- 19 - Not f/18HP.
- 20 - World Cup Graphics
- 21 - 13101, 13074 & 13076 Only.
- 22 - For 50060S & 51060S-01.
- 23 - 20 Hp Only
- 24 - Not For 16Hp
- 25 - Requires Snowthrower mount Kit.

Nla-No longer available.

LARGE FRAME (CHANNEL) TRACTOR ATTACHMENT INTERCHANGEABILITY*

Description	Model	1250	1455	1476	1477	1886	1886	HT18	HT20	HT20D	HT23
		197 -01 thru -03	198 -01 -02	1476 -01	1477 -01	1886 -01 thru -03	1886 -04	1886S -05 -06	2086 -01	2087 -02-03 -04	2289 -01 -02
Air Cleaner - Heavy Duty	18021 (Nla)	X	X	X	X						
Arm Rest Kit (1734890)	18106 (Nla)								(12)	X	X
Blade - 54" Mech. Angle	18054 (Nla)	X	X	X	X	(5)	(5)	(5)	(5)	(5)	(5)
- 54" Hydr. Angle	18085 (Nla)					X	X	X	X	X	X
Blade Lock Up Kit (1736718)	18113 (Nla)	X	X	X	X	X	X	X	X	X	X
Cab - Soft Side (Original Cab Co.) (21)	18035 (Nla)	X	X	X	X	X	X				
	18036 (Nla)	X	X	X	X	X	X				
	18037 (Nla)							X	X	X	X
	18038 (Nla)		X	X	X	X	X	X	X	X	X
Cold Start Kit	18120 (Nla)									X	
Cruise Control Kit (1741505)	18155 (Nla)							X	X	X	(19)
Dual Wheel Kit (1735556)	18020 (Nla)	X	X	X	X	X	X	X	X	X	X
	19205 (Nla)					(15)	(15)	(15)	(15)	(15)	(15)
	19619 (Nla)	X	X	X	X	X	X	X	X	X	X
Dump Cart - 7.0 cu. ft. -10.0 cu. ft.	16466 (Nla)	X	X	X	X	X	X	X	X	X	X
	16465 (Nla)	X	X	X	X	X	X	X	X	X	X
Hand Speed Control	18099 (Nla)							X	X		
Hitch - 3 Point (Category "O")	18010 (Nla)	X	X	X	X	X	X				
	18086 (Nla)							X	X	X	X
Hour Meter Kit (1725273)	18096 (Nla)							X	X	X	X
Hydro Cooler Kit (1727270) (1740003)	18087 (Nla)							X	X		
	18111 (Nla)									X	(19)
Mower - 48" Side Discharge - 54" Side Discharge	18048 (Nla)	O	X	X	X						
	18049-01-03(Nla)	X	O	O	O						
	18049-04/07(Nla)	(1)	(1)	(1)	(1)	X	X	X	O	X	X
	18070 (Nla)					O	O	O	X	X	X
	18071 (Nla)					X	X	O	X	X	X
	18110 (Nla)					X	X	X	O	O	O
Mower Hitch - 3 Gang Reel	16442 (Nla)	X	X	X	X	X	X	X	X	X	X
	16443 (Nla)	X	X	X	X	X	X	X	X	X	X
Mower Kit (f/18070 Mower)	18079 (Nla)					X	X	X	X	X	X
PTO Kit-Rear (2000 RPM) (540 RPM) (540 & 1000 RPM)	18082 (Nla)						X	X	X	X	X
	18094 (Nla)							X	X	X	X
	18095 (Nla)	(8)	(8)	(8)	(8)	(2)	(2)				
	18906 (Nla)	X	X	X	X						
Power Steering Kit	18030 (Nla)					(3)					
	18088 (Nla)							X	X		
	18089 (Nla)					X	X				
	18112 (Nla)									X	(19)
	18114 (Nla)									X	(19)
Push Arm (f/2 Stage Snowthrower)	18151 (Nla)					X	X	X	X	X	X
ROPS	18144 (Nla)					X	X	X	X	X	X
Seat - Deluxe	18098 (Nla)							X	(13)		
Seat Belts (f/18144 ROPS)	1359 (Nla)									X	X
Snowthrower- 42" Single Stage -48" Two Stage (Req. Push Arm) -51" Two Stage (Req. Mounting Kit)	18042 (Nla)	X	X	X	X						
	18044 (Nla)	X	X	X	X						
	18100 (Nla)	(10)	(10)	(10)	(10)	(14)	(14)	(14)	(14)	(14)	(14)
	18103 (Nla)	(10)	(10)	(10)	(10)	X	X	X	X	X	X
	1948 (Nla)					X	X	X	X	X	X
	1949 (Nla)					X	X	X	X	X	X
	18148 (Nla)					X	X	X	X	X	X
17451 (Nla)											(20)

Footnotes-Page 21

Note: Check for availability

LARGE FRAME (CHANNEL) TRACTOR ATTACHMENT INTERCHANGEABILITY* (CONT'D)

Description	Model	1250	1455	1476	1477	1886	1886	HT18	HT20	HT20D	HT23
		197 -01 thru -03	198 -01 -02	1476 -01	1477 -01	1886 -01 thru -03	1886 -04	1886S -05 -06	2086 -01 2087 -02-03 -04	2289 -01 -02	2389 -01 -02
Snowthrower Ext. Kit (1719407) (f/18042, 18044, 18100, 18103)	18043 (Nla)	X	X	X	X	X	X	X	X	X	X
Snowthrower Mount Kit (f/18100) (f/17451)	18101 (Nla)	X	X	X	X						
	18102 (Nla)					X	X	X	X	X	X
	19235 (Nla)										X
String Trimmer - 12 Volt	6888 (Nla)	X	X	X	X	X	X	X	X	X	X
	30904 (Nla)	X	X	X	X	X	X	X	X	X	X
Tiller - 25" Rotary 33" Rotary	18025 (Nla)	X	X	X	X	(2)	(2)	(4)	(4)	(4)	(4)
	18090 (Nla)	(8)	(8)	(8)	(8)	(2)	(2)	(4)	(4)	(4)	(4)
	18093 (Nla)	(11)	(11)	(11)	(11)	(9)	(9)	X	X	X	X
Tiller Driveshaft (1722630) (1722650)	18091 (Nla)	X	X	X	X						
	18092 (Nla)					X	X				
Tiller Ext. Kit - 8"	18617 (Nla)	X	X	X	X	X	X	X	X	X	X
Tiller Lock Up Kit (1736719) (f/18093)	18116 (Nla)							X	X	X	X
Tire Chains (f/27x8.50x15) (1718284) (f/26x12x12)	19613 (Nla)	X	X	X	X	X	X	X	X	X	X
	19614 (Nla)	X	X	X	X	X	X	X	X	X	X
Wheel & Tire Assy. (Front)	18011 (Nla)	X	X	X	X	X					
	18024 (Nla)		X	X	X	X					
	18028 (Nla)						X	X			
	18029 (Nla)				(3)	X	X	X	X	X	X
Wheel Weights 70lbs. (pr) Front Cast Iron	18012 (Nla)	X	X	X	X						
	18031 (Nla)					(6)	X	X	(7)	X	X
	18032 (Nla)					X	X	X	X	X	X
35 lbs. (ea) Front Cast Iron	21741	X	X	X	X	(16)					
50 lbs. (ea) Rear Cast Iron	16167 (Nla)	X	X	X	X	X	X	X	X	X	X
	19617 (Nla)	X	X	X	X	X	X	X	X	X	X
	30902 (Nla)	X	X	X	X	X	X	X	X	X	X
	14090	X	X	X	X	X	X	X	X	X	X

*NOTE: Attachments are no longer available.

Nla-No longer available.

O - Original Equipment

- 1 - Req. 1722727-1722728 rods & cut driveshaft 1" shorter.
- 2 - Req. 1722650 driveshaft.
- 3 - 1886-02 & 03 only.
- 4 - Req. 1724727 L.H. arm, 14 - Req. two 1722631 push rods & 1724725 R.H. arm, & 1724734 driveshaft (50-5/16" long).
- 5 - Req. two 1722631 push rods.
- 6 - 1886-03 only.
- 7 - 2086-01 & 2087-03-04 only.
- 8 - Req. 1722630 driveshaft.
- 9 - Req. 1718301 R.H. arm, 17118304 L.H. arm, & one 1722650 drive-shaft (49-3/4" long).

- 10 - Req. two 1719096 push rods & one 1719345 rod crank handle.
- 11 - Req. 1718301 R.H. arm, & 1718304 L.H. arm, & 1722630 driveshaft (47-1/4" long).
- 12 - 2087-03 & 04 only.
- 13 - 2087-01, 02 & 03 only.
- 14 - Req. two 1722631 push rods & one 1722626 rod.
- 15 - Not recommended with a mower
- 16 - 1886-01 only.
- 17 - Fits 2389-02 with 1742157 adapter, 1742156 drag link & ball joining 1724656 R.H.
- 18 - Not required on 2389S models.

- 19 - Standard on 2389S models.
- 20 - Requires 19235 Mount Kit.
- 21 - Order all parts from Original Cab Co. (317) 663-2214.

15 & 17 H.P. TX 2 CYLINDER DIESEL TRACTOR ATTACHMENT INTERCHANGEABILITY*
MODELS (G152) TX1300, (G154) TX1300F, (G172) TX1500, AND (G174) TX1500F

Description	Model	Remarks
Air Cleaner	1353 (N/a)	Heavy duty - For red decal tractors
Backhoe	61/2'	1380 (N/a)
	61/2'	17385 (N/a)
Blade	48"	1405 (N/a)
	48"	1385 (N/a)
	54"	1354 (N/a)
	48"	1400 (N/a)
	54"	19220 (N/a)
Bucket	8"	18129 (N/a)
	13"	18130 (N/a)
	16"	18131 (N/a)
	10"	17381 (N/a)
	12"	17382 (N/a)
	16"	17383 (N/a)
	40"	18139 (N/a)
	48"	18142 (N/a)
	38"	18210 (N/a)
	48"	18211 (N/a)
Bucket Material	18158 (N/a)	For 18156 loader
Cab	19705 (N/a)	Soft side - (2)
Canopy	1361 (N/a)	For model 1360 ROP
Engine Block Heater	1352 (N/a)	400W (PN 1862224)
Hitch, Trailer	1350 (N/a)	
Hitch	17387 (N/a)	For 17385
Hour Meter Kit	1345 (N/a)	
Lift Kits	1326 (N/a)	Hyd. lift - Use with 1330
	1326-02 (N/a)	Hyd. lift - Use with 1948, 1354 or 1330
Loaders	1370 (N/a)	Front end - Rr. ballast recommended - req. bucket (1)
	1517 (N/a)	Front end - Req. bucket (4)
	18156 (N/a)	Req. bucket - (3) KMW model K80
Mowers	42"	1342 (N/a)
	48"	1349 (N/a)
	48"	1348 (N/a)
	48"	1343 (N/a)
Mulcher/Chipper	MC3540(N/a)	PTO driven & 3 point hitch
Overrunning Clutch	1329 (N/a)	Req. 1328 (5)
O.C. Adapter	1328 (N/a)	PTO adapter for model 1329
PTO Kit	1308 (N/a)	For models 1330, 1342 and 1349
Push Arm	1327 (N/a)	For 1330
	1341 (N/a)	For 1330, 1354 and 1948
	1367 (N/a)	For 1354
Rollover Protection	1360 (N/a)	Req. model 1359 seat belts
Seat Belts	1359 (N/a)	For 1360
Snowthrower	1330 (N/a)	42" Single stage - 2000 PTO speed - req. 1308, 1326 and 1327 or 1341
	1948 (N/a)	48" Two stage - Not recommended - 2000 PTO Speed - req. 1308, 1326 and 1341 - Rr. ballast req.
Tillers	42"	1302 (N/a)
	48"	1305 (N/a)
	42"	17393 (N/a)
	50"	17394 (N/a)
Tires	1356 (N/a)	Ag kit - 4WD only - Frt., 5.00x12 - Rr., 8-16
	1357 (N/a)	Farm kit - 2WD only - Frt., 20x8.00 - Rr., 8-16
	1362 (N/a)	Turf kit - 2WD only - Frt., 20x8.00 - Rr., 8-16
	1363 (N/a)	Turf kit - 4WD only - Frt., 6x12 - Rr., 8-16
	1364 (N/a)	Wide front turf kit - 22x7.50 - 12-pair

15 & 17 H.P. TX 2 CYLINDER DIESEL TRACTOR ATTACHMENT INTERCHANGEABILITY*
MODELS (G152) TX1300, (G154) TX1300F, (G172) TX1500, AND (G174) TX1500F (CONT'D)

Description	Model	Remarks
Tires (Cont'd)	1365 (Nia)	Wide rear turf kit - 29 - 12x15 - Pair
	1366 (Nia)	Turf kit - 4WD only - Frt., 22x7.5x12 - Rr., 29x12.00x15
	17000 (Nia)	Ag -Front - Pair - 12 ribbed - 2WD only
	17004 (Nia)	Turf - Front - Pair - 20x8.00x10 - 2WD only
	17005 (Nia)	Turf - Rear - 29x12.00x15 - Pair
	17008 (Nia)	Ag - Rear - (8x16) - Pair
	17024 (Nia)	Turf - Front - Pair - 20x8.00x18 - 4WD only
	17308 (Nia)	Ag -Front - 5.00x12 - 4WD only
Tire Chains	16052 (Nia)	Rear- For 8x16 Turf tires - Pair
	16056 (Nia)	Front - For 6x12 and 5x12 Turf - Pair
	16059 (Nia)	Rear- For 29x12.00x15 wide Turf - Pair
	16060 (Nia)	Front - For 5x12 Ag - Pair
	16061 (Nia)	Rear - For 8x16 Ag - Pair
	16062 (Nia)	Front - For 22x7.50x12 Turf - Pair
	16065 (Nia)	Front - For 5x12 and 6x12 Turf - Pair
Tire Spacer	1332 (Nia)	Rear Ag
Vacuum	17358 (Nia)	Purchase from Peco (1-800-438-5823)
Weights	1319 (Nia)	Front bumper - 33# - use 4 weights
	18051 (Nia)	Rear kit - Pair- Turf only

*NOTE: Attachments are no longer available.

Nia-No longer available.

See "Misc. Diesel Part Numbers" section of this book for additional information.

1 - For parts contact Airquip (414) 898-4291

4 - Req. 1 - 1862088 Manifold, 4 - 1185773 O-Rings,

2 - Order all parts from Original Cab Co. (317) 663-2214

2 - 1862078 Manifold fittings

3 - Order all parts from KMW Mfg. (416) 871-3526

(Add 1 to 2 hrs. labor to modify mounting)

5 - Hub City Power Transmission Products
(800-482-2489).

Filters (Tractors w/Red Decals)

Oil.....	(Nia)1874139
Fuel.....	1875659
Air (No Fins).....	1871493
Hydraulic (Screen).....	(Nia)1871794
Model 1353 (H.D. Air Cleaner).....	1721457

Filters (Tractors w/Green Decals)

Oil.....	(Nia)1874139	Battery.....	1873992
Fuel.....	1876440	Ign. Key.....	1871433
Air (Fins).....	(Nia)1872002		
Hydraulic (Screen)....	(Nia)1871794		

15 & 17 H.P. TX 3 CYLINDER DIESEL TRACTOR ATTACHMENT INTERCHANGEABILITY*
MODELS (G152) TX1502, (G154) TX1504, (G174) TX1704, (H152) TX1502H & (H174) TX1704H

Description	Model	Remarks
Adapter Kit	17373 (Nia)	f/Models 1948/1949 - req. 1308 & 17369
Backhoe 61/2'	1380 (Nia)	Req. 1517 and bucket - minor rework req'd - Brantly Mfg. (1)
	17385 (Nia)	Req. 17387 with 1517 and Bucket - PTO driven pump
Blade 54"	1354 (Nia)	Hyd. angled - req. 17367 and 17369 or 1341 w/o PTO
	17378 (Nia)	Hyd. angled - Req. 17367
Bucket 8"	18129 (Nia)	For model 1380 - Brantly Mfg. (1)
	18130 (Nia)	For model 1380 - Brantly Mfg. (1)
	18131 (Nia)	For model 1380 - Brantly Mfg. (1)
	17381 (Nia)	For model 17385
	17382 (Nia)	For model 17385
	17383 (Nia)	For model 17385
	18210 (Nia)	For model 1517
	18211 (Nia)	For model 1517
Cab	17705 (Nia)	Soft side - Order parts from Original Cab Co. (2). Compatible with ROPS. Used on Gear models.
	17707 (Nia)	Soft side - Order parts from Original Cab Co. (2). Compatible with ROPS. Used on Hydro models.

15 & 17 H.P. TX 3 CYLINDER DIESEL TRACTOR ATTACHMENT INTERCHANGEABILITY*
MODELS (G152) TX1502, (G154) TX1504, (G174) TX1704,
(H152) TX1502H & (H174) TX1704H (CONT'D)

Description	Model	Remarks
Cab (Cont'd)	19705 (Nla)	Soft side - Order parts from Original Cab Co. (2). Not compatible with ROPS. Used on Gear models.
	19707 (Nla)	Soft side - Order parts from Original Cab Co. (2). Not compatible with ROPS. Used on Hydro models.
Engine Block Heater	1862227	400W (Install element @ 6 o'clock position)
Hitch, Rigid	17387 (Nla)	For 17385
Lift Kit	17367 (Nla)	Hydraulic - For 17377, 17378 and 1354
Loader	1517 (Nla)	Front - Req. bucket
Loader Adapter Kit	17356 (Nla)	For 1517 - Req'd with 1517-01, 02 only for Hydro models
Loader Mounting Kit	17353 (Nla)	For 1517 - Refer to Product Bulletin 84
Mount Kit	17455 (Nla)	Front mount - For 17451
	17475 (Nla)	Rear mount - For 17451
Mowers	48" 1343 (Nla)	Rear flail - 752 PTO speed - Req. 1319
	48" 1348 (Nla)	Rear finishing - 752 PTO speed - Req. 1319
	48" 17350 (Nla)	Centermount- Req. 1308
Mulcher/Chipper	MC3540 (Nla)	PTO driven & 3 point hitch
PTO	1308 (Nla)	Front - 2000 PTO speed
Push Arm	17369 (Nla)	For model 1354, 1330 - See Product Bulletin D8
Rollover Protection	17368 (Nla)	Incl. seat belts
	17408 (Nla)	Incl. seat belts
Snowthrower	48" 1948 (Nla)	(Not recommended) - 2000 PTO speed - Two stage - Req. rear ballast - Req. 1308, 17369 and 17367
	42" 17377 (Nla)	Single stage - Req. 17367 & 1308 - Refer to Product Bulletin D8
	51" 17451 (Nla)	Two stage (3)
Tillers	42" 1302 (Nla)	454-724 PTO speeds
	48" 1305 (Nla)	454-724 PTO speeds
	42" 17393 (Nla)	Side shift
	50" 17394 (Nla)	Side shift - 1704 and 1704H only
Tires	1356 (Nla)	Ag kit - 4WD only - Frt., 5.00x12 - Rr., 8x16
	1362 (Nla)	Turf kit - 2WD only - Frt., 20x8.00 - Rr., 8x16
	1357 (Nla)	Farm kit - 2WD only - Frt., 4.00x12 - Rr., 8x16
	1363 (Nla)	Turf kit - 4WD only - Frt., 6x12 - Rr., 8x16
	17000 (Nla)	Ag - Front - Pair - 4.00x12 - 2WD only
	17004 (Nla)	Turf - Front - Pair - 20x8.00x10 - 2WD only
	17005 (Nla)	Turf - Rear - Pair - 29x12x15
	17008 (Nla)	Ag - Rear - Pair - 8x16
	17024 (Nla)	Turf - Front - Pair - 20x8.00x18 - 4WD only
	17308 (Nla)	Ag - Front - Pair - 5.00x12 - 4WD only
17314 (Nla)	Ag - Front - Pair - 4.00x12 - 2WD only	
Tire Chains	16052 (Nla)	Rear - For 8x16 Turf - Pair
	16059 (Nla)	Rear - For 29x12.00x15 wide Turf - Pair
	16060 (Nla)	Front - For 5x12 Ag - Pair
	16061 (Nla)	Rear - For 8x16 Ag - Pair
	16062 (Nla)	Front - For 22x7.50x12 - Pair
	16065 (Nla)	Front - For 5x12 and 6x12 Turf - Pair
Tire Spacers	1332 (Nla)	Dual spacers for rear Ag
Vacuum	17358 (Nla)	Purchase from Peco (1-800-438-5823)
Weights	1319 (Nla)	Front bumper - 33# - Use 4 weights
	18051 (Nla)	Rear kit - Pair - Turf tires only
	17520 (Nla)	Rear kit - Pair - Ag tires only

2 - Order all parts from Original Cab Co. (317) 663-2214.
 3 - Requires 1308, 17367 & 17455 f/front mount.
 Requires 17475 f/rear mount
 Battery1873992
 Ign. Key1871433

*NOTE: Attachments no longer available.

Nla-No longer available.

Filters	Hydraulic Manifold
Oil(Nla)1874139	1 - 1863343Manifold
Fuel1876440	3 - 1721631O-Ring
Air (Fins). (Nla)1872002	3 - 1860220Screw
Hydraulic (Screen) (Gear Models)	1874043
Hydro (Screen) (Hydro Models)	(Nla)1864731
HST (Spin On) (Hydro Models)	1864599
HST (Screen) (Hydro Models)	1864586

19 & 24 H.P. TS 2 CYLINDER DIESEL TRACTOR ATTACHMENT INTERCHANGEABILITY*
MODELS (G192) TS1910, (G194) TS1910F, (G242) TS2420 AND (G244) TS2420F

Description	Model	Remarks
Backhoe 6-1/2' 8' 6-1/2'	17385 (N1a)	Req. 17405 hitch and bucket - Refer to Service Bulletin D-12
	1980 (N1a)	Req. 1970 or 1924 - Req. rework with 1924 See Product Bulletin D-4. Requires Bucket.
	17380 (N1a)	Refer to Product Bulletin 85
Blade 66" 60"	1985 (N1a)	Hyd. Angled - (1). Brantly model 246
	1956 (N1a)	Hyd. Angled - Req. model 1940 or 17375 and 17376
Bucket 48" 60" 13" 16" 10" 12" 16" 8" 60" 48"	1971 (N1a)	For model 1970 - Brantly Mfg. (1)
	1972 (N1a)	For model 1970 - Brantly Mfg. (1)
	1981 (N1a)	For model 1980 - Brantly Mfg. (1)
	1982 (N1a)	For model 1980 - Brantly Mfg. (1)
	17381 (N1a)	For models 17380 and 17385
	17382 (N1a)	For models 17380 and 17385
	17383 (N1a)	For models 17380 and 17385
	18122 (N1a)	For model 1980 - Brantly Mfg. (1)
	18930 (N1a)	For model 1924
Cab - Soft Side Hard	19706 (N1a)	Soft Side - For model 1960 ROPS
	Allied	Order from Laurin Inc. 514-689-1962
Canopy	1961 (N1a)	For model 1960
Clutch, Overrunning	1329 (N1a)	External (6)
Engine Block Heater	1862227	400W (Install element @ 6 o'clock position)
Front Lift	1940 (N1a)	Hydraulic w/push arms - Use w/1948 & 1956
	17375 (N1a)	Hydraulic w/undercarriage - Use w/17376 & 1956
Hitch Kit, 3-Point	17386 (N1a)	For model 17385 - Refer to Product Bulletin 85
	17405 (N1a)	For model 17385
	13970 (N1a)	Front end - Req. rear ballast and bucket - Brantly Mfg. (1)
	18157 (N1a)	Front end - Req. rear ballast and bucket (2) KMW model K90
Hydraulic Kit, Ext.	1923 (N1a)	For model 1924 - Rear ballast recommended - Refer to Product Bulletin D-4
Loader	1924 (N1a)	Front end - Req. ballast and bucket - Great Bend Refer to Product Bulletin D-4
	1970 (N1a)	Front end - Req. rear ballast and bucket - Brantly Mfg. (1)
	18157 (N1a)	Front end - Req. rear ballast and bucket (2) KMW model K90
Mowers 60" 54" 59"	1344 (N1a)	Rear flail - Req. 1329 - 1000 PTO speed - Front bumper weights req.
	1954 (N1a)	Center mount - 2WD only - 2000 PTO speed - Req. 1309
	1959 (N1a)	Rear finishing - 540 PTO speed - Req. model 1319 frt. wts.
Mulcher/Chipper	MC3540 (N1a)	PTO driven & 3 point hitch
Push Arms	17376 (N1a)	Use with 17375 and 1956
PTO Kit	1309 (N1a)	Front - 2000 RPM Speed
Rollover Protection	1960 (N1a)	Req. model 1359 Seat Belts
Seat Belts	1359 (N1a)	Use with model 1960
Snowthrower 48" 48" 51" 63"	1948 (N1a)	Two stage - 2000 RPM speed - Req. 1309 & 1940 - Req. rear ballast
	1949 (N1a)	Two stage - 2000 RPM speed - Req. 1309 & 1940 - Req. rear ballast
	17451 (N1a)	Two stage (4)(5)
	17463 (N1a)	Two stage (4)(5)
Snowthrower Chute Kit	17471 (N1a)	Chute & manual rotation kit - f/17451 & 17463
	17472 (N1a)	Hydro chute & 2 spool valve - f/17451 & 17463
Tiller 50" 51"	17394 (N1a)	Side shift
	1307 (N1a)	540 PTO speed
Tires	1930 (N1a)	Rear Turf - Pair - 4WD models - Req. 1931 - 13.6x16
	1931 (N1a)	Front Turf - Pair - 4WD only - Req. 1930 - 25x7.5x15
	1957 (N1a)	Ag Tire - 2WD only - 4 Tires - 4.00x12 frt./8.5x24 rear
	1958 (N1a)	Ag Tire - 4WD only - 4 Tires - 6.00x14 frt./8.3x24 rear
	1962 (N1a)	Turf tire - 2WD only - 4 Tires - 20.0x8.00x10 frt/13.6x16 rear
	17004 (N1a)	Front Turf - Pair - 20x8.00x10 - 2WD only
	17011 (N1a)	Front Ag - Pair - 6x14 - 4WD only
17012 (N1a)	Rear Ag - Pair 8.3x24 - Incl. Disc	

Footnotes-Page 26

Note: Check for availability

19 & 24 H.P. TS 2 CYLINDER DIESEL TRACTOR ATTACHMENT INTERCHANGEABILITY*
MODELS (G192) TS1910, (G194) TS1910F, (G242) TS2420 AND (G244) TS2420F (CONT'D)

Description	Model	Remarks
Tires (Cont'd)	17013 (Nla)	Rear Ag - Pair - 9.5x24 - Incl. Disc
	17022 (Nla)	Rear Turf - Pair - 13.6x16
	17023 (Nla)	Frnt. Turf - Pair - 25x7.5x15 - 4WD only - Replaces 1931
	17314 (Nla)	Front Ag - Pair - 4.00x12 - 1902/1910 only
Tire Chains	16053 (Nla)	Rear - Pair - For 13.6x16 Turf
	16054 (Nla)	Rear - Pair - For 8x24 and 9.5x24 Ag
	16057 (Nla)	Front - Pair - For 25x7.50x15 Turf - 4WD only
	16058 (Nla)	Front - Pair - For 6x14 Ag - 4WD only
Tire Clamp	1932 (Nla)	Dual clamps - Rear
Weights	1319 (Nla)	33# (each) - Use 7 per tractor
	18051 (Nla)	Pair - Does not fit 13.6x16 Turf tires

***NOTE: Attachments are no longer available.**

- 1 - For parts contact Airquip (414) 898-4291.
- 2 - Order all parts from KMW Mfg. (416) 871-3526.
- 3 - Order all parts from Original Cab Co. (317) 663-2214.
- 4 - Req. 17475 rear mount kit.
- 5 - Req. snowthrower chute kit 17471 or 17472.
- 6 - Hub City Power Transmission Products (800-482-2489).
- Battery.....1873703
- Ign. Key.....1871433

Filters

- Oil1726450
- Fuel(Nla)1862499
- Air1871991
- Hydraulic1862834

Nla-No longer available.

Hydraulic Manifold

- 1 - 1863134 Manifold
- 3 - 1721631 O-Ring
- 3 - 1863154 Screw

See "Misc. Diesel Part Numbers" section of this book for additional information.

21 H.P. DIESEL TRACTOR ATTACHMENT INTERCHANGEABILITY*
MODELS (G212) 2102, (G214) 2104

Description	Model	Remarks
Backhoe 6-1/2'	17385 (Nla)	Req.17389, 17395 and bucket
Blade 60	17560 (Nla)	Complete with hyd. & push arm
Bucket	10"	17381 (Nla)
	12"	17382 (Nla)
	16"	17383 (Nla)
	48"	17396 (Nla)
	60"	17397 (Nla)
Cab - Hard	Allied	Order from Laurin Inc. (514) 689-1962
Engine Block Heater	1862227	400W Install Element @ 9 o'clock position
Hitch - Backhoe	17389 (Nla)	Required with 17385
Loader	17395 (Nla)	Requires bucket, rear ballast
Mount Kit	17481 (Nla)	Front mount - for 17451 & 17463
	17475 (Nla)	Rear mount - for 17451 & 17463
Mower 60"	1959 (Nla)	Front weights model 1319 recommended
	60"	17660 (Nla)
Mower Gauge Wheel Kit	51950 (Nla)	Caster Wheels
Mulcher/Chipper	MC3540 (Nla)	PTO Driver & 3 Point Hitch
PTO	17530 (Nla)	Front mount for 17660, 1948 & 1949
Push Arm & Hyd.	17548 (Nla)	Required for 1948 & 1949
Rollover Protection	17409 (Nla)	Incl. seat belts
Snowthrower	48"	1948, 1949 (Nla)
	51"	17451 (Nla)
	63"	17463 (Nla)
Snowthrower Chute Kit	17471 (Nla)	Chute & manual rotating kit - f/17451 & 17463
	17472 (Nla)	Hydro. chute & 2 spool valve - f/17451 & 17463
Tiller 50"	17394 (Nla)	Side shift
Tires	17004 (Nla)	Front Turf - Pair - 20x8.00x10 - 2WD only
	17314 (Nla)	2WD - Front Ag - 4.00x12 - Ribbed
	17431 (Nla)	4WD - Front Ag - 6.00x12 - Lugged
	17434 (Nla)	2WD - Front Turf - 20x8.00x10
	17435 (Nla)	4WD - Front Turf - 24x8.50x12
	17436 (Nla)	Rear Turf - 13.6x16
Tire Chains	16053 (Nla)	For 17436 Turf tires
	16063 (Nla)	For 12.4x16 Ag tires
Weights - Front	1319 (Nla)	33# (each) - Use 5 weights
Rear	17520 (Nla)	130# - Pair - 3 sets maximum
Wheel Spacers	17522 (Nla)	For Turf tires

*NOTE: Attachments are no longer available.

Nla-No longer available.

1 - Requires 17481 f/front mount.

Requires 17475 f/rear mount.

2 - Requires snowthrower chute kit 17471 or 17472.

Hydraulic Manifold

1 - Manifold..... 1863475

2 - Screw..... 1860220

3 - O-Ring..... 1177509

Filters

Engine Oil..... 1874196

Fuel (Approx. 2 5/8" x 1 3/8") (Nla)1862499

(Approx. 3 1/2" x 1 7/8")..... 1871183

Air.....(Nla)1874282

Hydraulic (Element)..... 1874664

Misc.

Battery..... 1873992

Ign. Key..... 1870948

27 H.P. DIESEL TRACTOR ATTACHMENT INTERCHANGEABILITY*
MODELS (G272) 2702, (G274) 2704

Description	Model	Remarks
Backhoe 6-1/2'	17385 (Nla)	Req. 17386 hitch and bucket Or 17405 hitch - Refer to Service Bulletin D12
Blade 60"	17460 (Nla)	Incl. Hydraulic lift & push arms.
Bucket	10"	For 17385
	12"	For 17385
	16"	For 17385
	60"	For 17411
Cab - Hard	Allied	Order from Laurin Inc. (514) 689-1962
Engine Block Heater	1862227	400W (Install element @ 9 o'clock position)
Hitch - Backhoe	17386 (Nla)	For 17385
Hitch - Rigid	17405 (Nla)	Ref: Service Bulletin D12
Loader	17411 (Nla)	Incl. 60" bucket - Req. rear ballast - Product Bulletin 86
	17611 (Nla)	Incl. 60" bucket - Req. rear ballast - mounts w/CM mower
Mower	59"	Rear finishing - Frt. weights model 1319 recommended - 540 RPM PTO
	60"	1344 (Nla) Rear flail - 540 RPM PTO
Mulcher/Chipper	MC3540 (Nla)	PTO driven & 3 point hitch
PTO Kit	17530 (Nla)	Front mounted
Rollover Protection	17410 (Nla)	Incl. seat belts
Snowthrower	51"	Two stage (1)(2)
	63"	Two stage (1)(2)
Snowthrower Chute Kit	17471 (Nla)	Chute & manual rotation kit f/17451 & 17463
	17472 (Nla)	Hyd. chute and 2 spool valve f/17451 & 17463
Snowthrower Mount Kit	17482 (Nla)	Front mount kit f/17451 & 17463
	17475 (Nla)	Rear mount kit f/17451 & 17463
Tiller 50"	17394 (Nla)	Side shift
Tires	17420 (Nla)	Ag - 5.00x15 - Front - Pair - 2WD
	17421 (Nla)	Ag - 7x16 - Front - Pair - 4WD - Req. 17422
	17422 (Nla)	Ag - 11.2x24 - Rear - Pair - Incl. disc
	17315 (Nla)	Turf - 24x8.5x12 - Front - Pair - 2WD
	17316 (Nla)	Turf - 212/80Dx15 - Front - Pair - 4WD
	17317 (Nla)	Turf - 355/80Dx20 - Rear - Pair
Tire Chains	16064 (Nla)	For 17317 Turf tires
	16065 (Nla)	For 17422 Ag tires
Weight - Front	1319 (Nla)	33# (each) - Use 6 weights
Rear	17413 (Nla)	200# - Pair - Add 17414 for added weight
Rear	17414 (Nla)	200# - Pair - Req. 17413 - Will not fit Turf tires
Wheel Spacers	17522 (Nla)	For Turf tires

*NOTE: Attachments no longer available.

Nla-No longer available.

- 1 - Requires 17482 f/front mount.
Requires 17475 f/rear mount.
- 2 - Requires snowthrower chute kit 17471 or 17472.

Hydraulic

- 1 - Manifold..... 1864246
- 2 - Screw..... 1860220
- 3 - O-Ring..... 1177509

Filters

- Engine Oil..... 1726450
- Fuel (Approx. 2 5/8" x 1 3/8") (Nla) 1862499
(Approx. 3 1/2" x 1 7/8")..... 1871183
- Air (Fins)..... 1870322
- Air (Capped)..... 1871198
- Hydraulic (Element)..... (Nla) 1870823

Misc.

- Battery..... 1873703
- Ign. Key..... 1870948

See "Misc. Diesel Part Numbers" section of this book for additional information.

29 H.P. DIESEL TRACTOR ATTACHMENT INTERCHANGEABILITY*
MODELS (G292) TS2902, (G294) TS2904

Description	Model	Remarks
Backhoe	6-1/2'	17380 (Nia)
	6-1/2'	17385 (Nia)
		Ref. to Product Bulletin 85 - Req. bucket Req.17386 - Refer to Product Bulletin 85 - Req. bucket Or 17405 - Refer to Service Bulletin D12
Bucket	10"	17381 (Nia)
	12"	17382 (Nia)
	16"	17383 (Nia)
		For 17380 and 17385 For 17380 and 17385 For 17380 and 17385
Cab - Hard	Allied	Order from Laurin Inc. (514) 689-1962
Canopy	17371 (Nia)	For 17370 ROPS
Engine Block Heater	1358 (Nia)	400W (Install element @ 6 o'clock position)
Hitch Kit, 3-Point	17386 (Nia)	Refer to Product Bulletin 85 - For 17385
Hydraulic Lift Kit	17355 (Nia)	Rear- Remote
Loader	Allied	Schwartz, model 9-2918 or KMW model K-90**
Mowers	60"	1344 (Nia)
	59"	1959 (Nia)
		Rear flail - 1000 PTO speed - Req. 1319 weights Rear finishing - 540 PTO speed - Req. 1319 weights
Mulcher/Chipper	MC3540 (Nia)	PTO driven - 3 Point hitch
Rollover Protection	17370 (Nia)	Includes Seat Belts
Snowthrower	63" 17463 (Nia)	Two Stage (1)(2)
Snowthrower Chute Kit	17471 (Nia)	Chute & manual rotation kit f/17463
	17472 (Nia)	Hydraulic chute & 2 stool vase f/17463
Tires	17014 (Nia)	Front Ag - Pair - 5.00 x 15 - 2WD only
	17015 (Nia)	Front Turf - Pair - 25 x 7.50 x 15 - 2WD only
	17016 (Nia)	Front Ag - Pair - 6 x 16 - 4WD only
	17017 (Nia)	Front Turf - Pair - 8.5L x 14 - 4WD only
	17019 (Nia)	Rear Ag - Pair - 12.4 x 24
	17020 (Nia)	Rear Turf - Pair - 21.5 x 6.1
	17313 (Nia)	Front Ag - Pair - 6.00 x 16 - 4WD only
Weights	1319 (Nia)	Front Bumper - 33# (each) - 7 weights recommended
	18051 (Nia)	Rear Wheel Weight - Pair - Will not fit 17020

***NOTE: Attachments are no longer available.**

Nia-No longer available.

1 - Requires 17451 f/front mount.

2 - Requires snowthrower chute kit 17471 or 17472.

Hydraulic Manifold

- 1 - Manifold1863831
- 2 - Screw.....1860220
- 3 - O-Ring1721631

Filters

- Engine Oil.....1726450
- Fuel1872176
- Air.....(Nia)1872249
- Hydraulic (Spin On)....1873042

Misc.

- Battery1873233
- Ign. Key1871433

**Schwartz Mfg. (612) 395-2541 Minneapolis, MN

KMW Mfg. (416) 871-3526 Fort Erie, Ontario

See "Misc. Diesel Part Numbers" section of this book for additional information.

11

Description	Model	New Style LT	New Style GT	Remarks
		13126 13127 13128 13129	13130 13131 13137	
Bagger Attachment - Twin	14120	(1)		
Twin	14121	(2)		
Triple	14122		X	Bagger NA for Model 13137
Dozer Blade, 46"	14123	X	X	
Snow Thrower 42" Two Stage	14124	X	X	
Grill Guard/ Bumper Kit	14125	X	X	
Sleeve Hitch w/ el lift kit	14126		X	

- 1. - Fits Models 13126 and 13127
- 2. - Fits Models 13128 and 13129

Note: Tractor Accessories listed in this chart can be serviced by MTD Incorporated authorized shops only.

BELT DIAGRAMS AND BELT NUMBERS
LOCATE MOWER MODEL AND CHECK DIAGRAM CALLOUT FOR BELT INSTALLATION
BOLENS & TROY-BILT

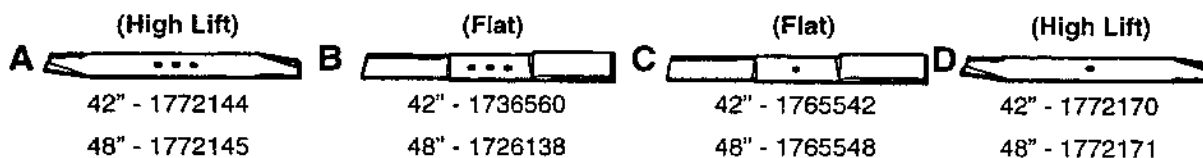
MODEL	DECK SIZE	DIA-GRAM	MOWER -BELT	DRIVE -BELT	BLADE NUMBER
1342	42"	M	1860810		1871356
1349	48"	G	1724943		A
1954	54"	M	1725502		1725522
10038S	38"	C	1820209		Note 5
14000	42"	P	1760959	1760958	A or B
14001	48"	P	1760960	1760958	A or B
14002	42"	P	1760959	1761188	B
14003	36"	R	1746823		Note 6
14023	42"	J	1728133	Note 2	C or D
14024	48"	J	1736903	Note 3	C or D
14025	42"	G	1746823		C or D
14026	48"	K	1750842		C or D
14030	48"	K	1750842		1765548
14031	42"	N	1728133	Note 2	1765542
14043	42"	T	1728133	1743876	C & D
14049	38"	H	1765212	1765211	1765217
14051	42"	P	1760959	1760958	C or D
14052	48"	P	1760960	1760958	C or D
14054	42"	P	1760959	1760958	C or D
14055	48"	P	1760960	1760958	C or D
14056	42"	P	1760959	1761188	1765542
14060	42"	P	1760959	1761188	1765542
14061	60"	U	1748274		1738742
14094	38"	H	1765212	1765211	1765217
14104	38"	H	1765212	1765211	1765217
14110	36"	H	1772383	1765339	1772335
14112	38"	H	1765212	1739080	1765217
14115	38"	Z	7543029	7540350	7420610
15100	28"	A	1722344	Note 8	1715216
15101	32"	B	1724148	1721967	1715289
15114	38"	B	1716557	1737574	1714727
15115	42"	B	1736903	1737459	A
15530	30"	W		1741135	1735670
15536	36"	X		1736930	1747640
15550	40"	S	1813223	Note 1	1813169
15570	42"	T	1728133	1743876	A
17350	48"	G	1724943 (7)		1738571
17660	60"	V	1749458		1738742
18001	32"	K	1714799		1715289
18006	32"	K	1714799		1715289
18007	38"	K	1716557		1714727
18048	48"	I	1718653		1718638
18049	48"	I	1718653 (9)		B
18070	54"	M	1718653		1722883
18071	54"	M	1726723		1722883
18110	54"	M	1725502		1725522
18300	42"	J	1728133	Note 2	A or B

MODEL	DECK SIZE	DIA-GRAM	MOWER -BELT	DRIVE -BELT	BLADE NUMBER
18301/R	48"	J	1736903	Note 3	A or B
18335	42"	N	1728133	Note 2	B
18336	48"	N	1736903	Note 3	B
18338	48"	Q	1737187	Note 2	Note 4
18415	38"	K	1724148		1714727
18416	38"	K	1724148		1714727
18417	38"	K	1724148		1714727
18418	38"	K	1724148		1714727
18420	42"	I	1185651		1717251
18421	42"	I	1185651		1721299
18422	42"	I	1185651		1721299
18423	42"	I	1185651		1721299
18440	32"	E	1713853		1715971
18441	32"	L	1716307		1715288
18442	32"	L	1716307		1715288
18445	32"	E	1713853		1713692
18446	38"	L	1714799		1714727
18449	38"	L	1714799		1714727
18457	42"	I	1185651		1716764
19101	28"	F	1715213		1715216
19102	32"	F	1724148		1715289
19107	28"	F	1715213		1715216
19108	32"	K	1714799		1715289
19209	48"	O	1724943		B
19210	48"	G	1724943		B
19211	48"	G	1724943		B
19212	54"	M	1725502		1725522
19303	32"	K	1714799		1715289
19307	38"	K	1716557		1714727
19342	42"	I	1185651		1717251
20042S	42"	P	1736903	1744493	A
30036S	36"	R	1746823		Note 6
31036S/R	36"	R	1746823		Note 6
30042S	42"	D	1764007		A or B
32042S/R	42"	D	1764007		A or B
30042R	42"	D	1764009		B
30048S	48"	D	1764008		A or B
50042R	42"	G	1746823		B
51042S	42"	G	1746823		A or B
51042R	42"	G	1746823		B
50048R	48"	O	1724943 (7)		B
51048R	48"	K	1750842		B
50048S/R	48"	G	1724943 (7)		A or B
51048S	48"	K	1750842		A or B
50060S	60"	U	1748274		1738742
51060S/R	60"	U	1748274		1738742

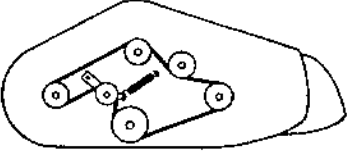
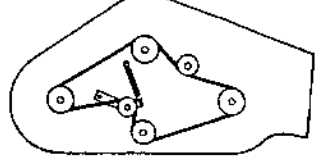
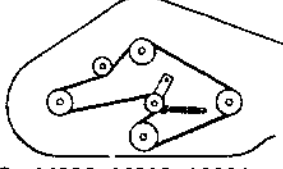
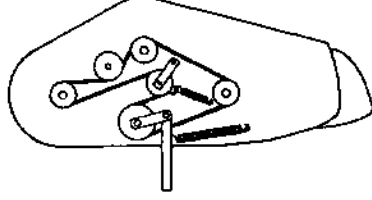
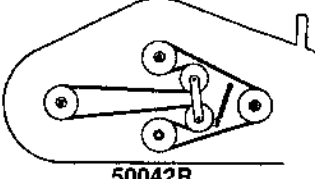
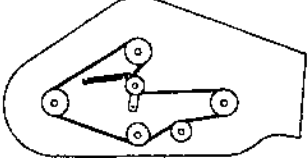
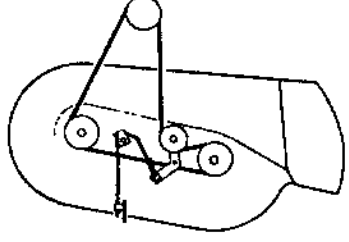
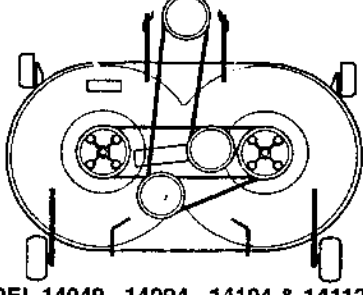
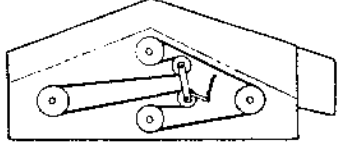
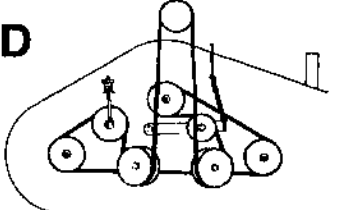
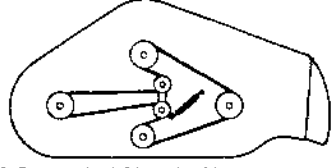
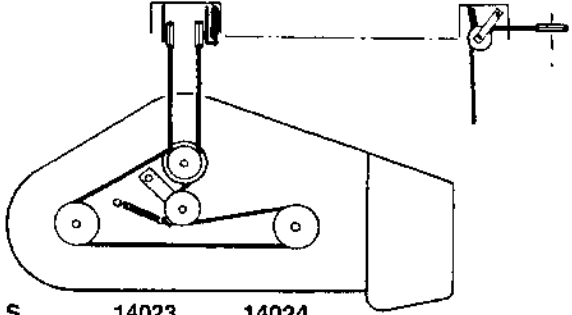
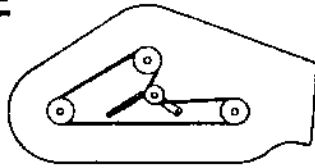
Diagrams - pages 2 & 3

- Note: 1 - 1752128 was set 1745369.
 2 - Tecumseh & 11HP B & S Engine 1726701.
 - B & S Twin 1741576.
 3 - W/Tecumseh Engine 1739080.
 - W/B & S Engine 1741577.
 4 - Center Blade 1737184. Outside Blades 1737185.
 5 - W/O Grass Catcher 1820196. With Grass Catcher 1820507.

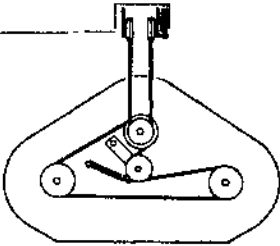
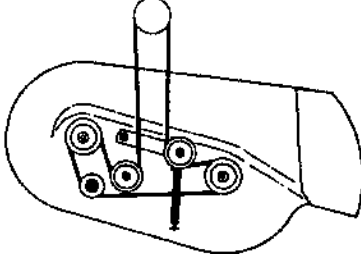
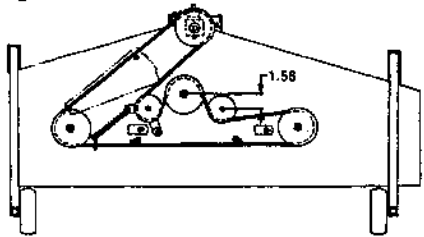
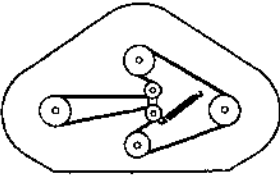
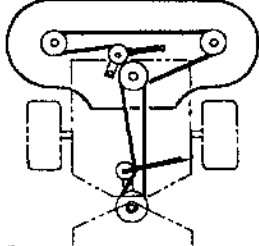
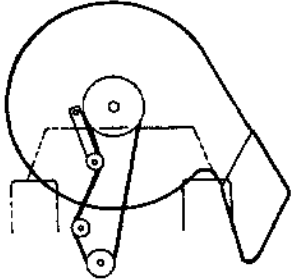
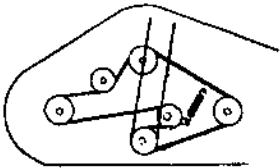
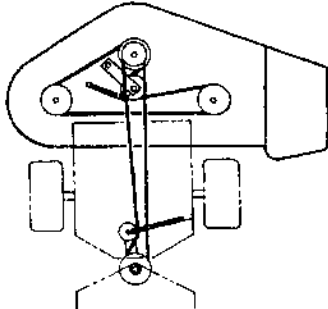
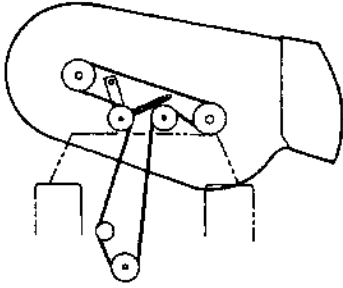
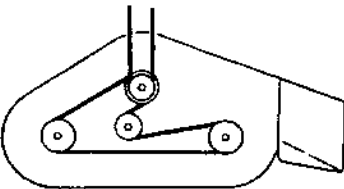
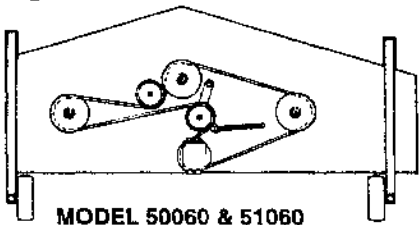
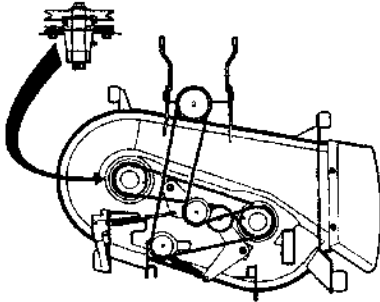
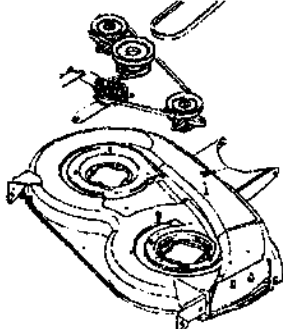
- 6 - W/O Back/Power Packer 1747640.
 - With Back/Power Packer 1748302 L.H. 1748303 R.H.
 7 - 50048R-03, -04, 50048S-03, -04, 17350-04. Use belt 1750842(K).
 8 - 15100-01 use 1721995. 15100-02 use 1723056.
 9 - 1724943 on -04 and later.



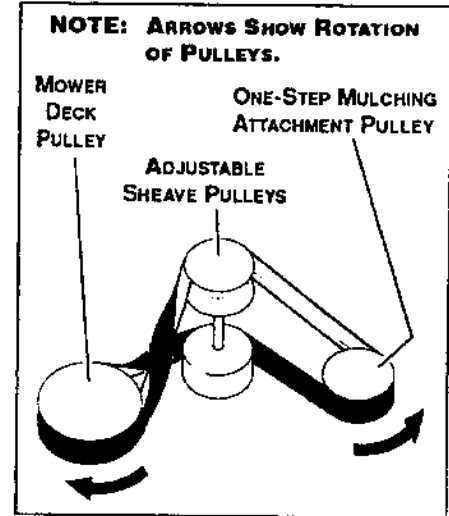
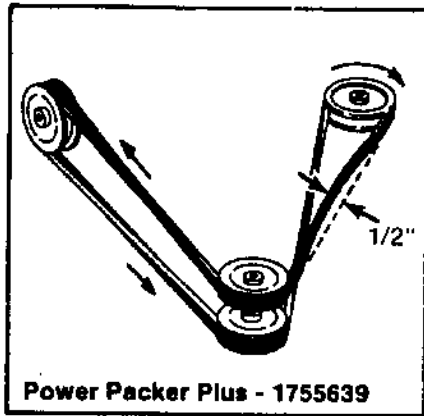
BELT DIAGRAMS

<p>A</p>  <p>MODEL 15100</p>	<p>F</p>  <p>MODELS 19101, 19102 & 19107</p>	<p>K</p>  <p>MODELS 14026, 14030, 18001, 18006, 18007, 18415, 18416, 18117, 18418, 19108, 19303, 19307, 50048R-03, 50048S-03, 51048R, 51048S, 17350-04, 51042R-04 & UP, 51042S-01 & UP</p>																
<p>B</p>  <p>MODELS 15101, 15114 & 15115</p>	<p>G</p>  <p>MODELS</p> <table border="0"> <tr> <td>1349</td> <td>50042R</td> </tr> <tr> <td>14025</td> <td>50042S</td> </tr> <tr> <td>17350-01/03</td> <td>50048R-01-02</td> </tr> <tr> <td>19210</td> <td>50048S-01-02</td> </tr> <tr> <td>19211</td> <td>51042R, 01, 02, 03</td> </tr> <tr> <td></td> <td>51042S, 01, 02, 03</td> </tr> </table>	1349	50042R	14025	50042S	17350-01/03	50048R-01-02	19210	50048S-01-02	19211	51042R, 01, 02, 03		51042S, 01, 02, 03	<p>L</p>  <p>MODELS</p> <table border="0"> <tr> <td>18441</td> <td>18446</td> </tr> <tr> <td>18442</td> <td>18449</td> </tr> </table>	18441	18446	18442	18449
1349	50042R																	
14025	50042S																	
17350-01/03	50048R-01-02																	
19210	50048S-01-02																	
19211	51042R, 01, 02, 03																	
	51042S, 01, 02, 03																	
18441	18446																	
18442	18449																	
<p>C</p>  <p>MODEL 10038S</p>	<p>H</p>  <p>MODEL 14049, 14094, 14104 & 14112</p>	<p>M</p>  <p>MODELS</p> <table border="0"> <tr> <td>1342</td> <td>18070</td> </tr> <tr> <td>1954</td> <td>18071</td> </tr> <tr> <td>18110</td> <td>19212</td> </tr> </table>	1342	18070	1954	18071	18110	19212										
1342	18070																	
1954	18071																	
18110	19212																	
<p>D</p>  <p>MODEL 30042SR, 30042R, 30048S & 32042S</p>	<p>I</p>  <p>MODELS</p> <table border="0"> <tr> <td>18048</td> <td>18421</td> <td>18457</td> </tr> <tr> <td>18049</td> <td>18422</td> <td>19342</td> </tr> <tr> <td>18420</td> <td>18423</td> <td></td> </tr> </table>	18048	18421	18457	18049	18422	19342	18420	18423		<p>J</p>  <p>MODELS</p> <table border="0"> <tr> <td>14023</td> <td>14024</td> </tr> <tr> <td>18300</td> <td>18301</td> </tr> </table>	14023	14024	18300	18301			
18048	18421	18457																
18049	18422	19342																
18420	18423																	
14023	14024																	
18300	18301																	
<p>E</p>  <p>MODELS 18440 & 18445</p>																		

BELT DIAGRAMS (CONT'D)

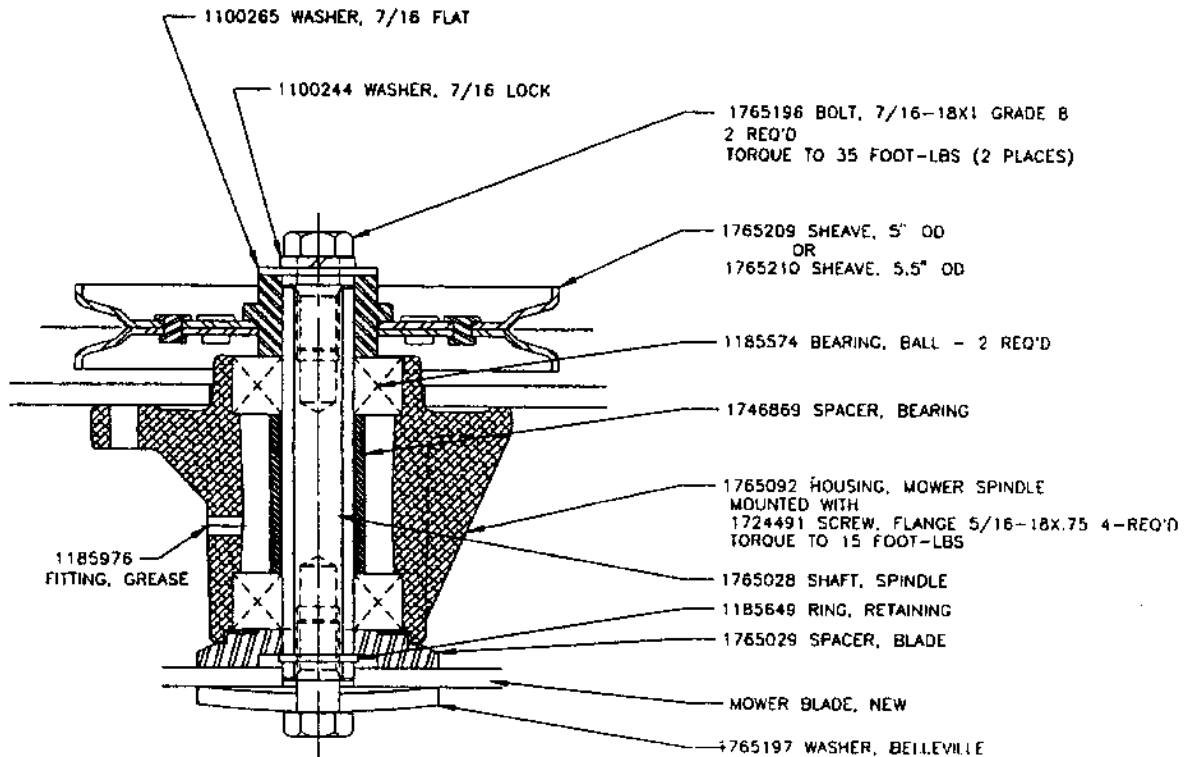
<p>N</p>  <p>MODELS 14031 18335 18336</p>	<p>R</p>  <p>MODEL 14003, 30036S & 31036S</p>	<p>V</p>  <p>MODEL 17660</p>
<p>O</p>  <p>MODELS 19209 & 50048R</p>	<p>S</p>  <p>FRAME STEER MODEL 15550</p>	<p>W</p>  <p>REAR STEER MODEL 15530</p>
<p>P</p>  <p>MODELS 14000 14051 14055 20042S 14001 14052 14056 14061 14002 14054 14060</p>	<p>T</p>  <p>FRAME STEER MODEL 14043 & 15570</p>	<p>X</p>  <p>REAR STEER MODEL 15536</p>
<p>Q</p>  <p>MODEL 18338</p>	<p>U</p>  <p>MODEL 50060 & 51060</p>	
<p>Y</p>  <p>MODEL 14110</p>	<p>Z</p>  <p>MODEL 14115</p>	

BELT DIAGRAM (CONT'D)



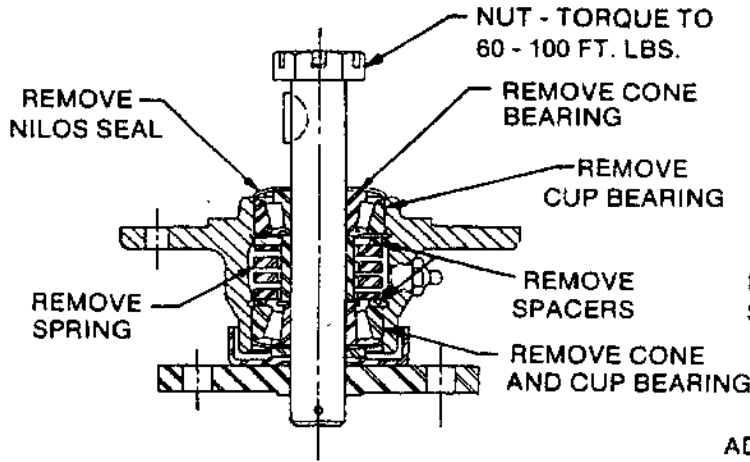
GRS - 1761281 (36" Deck)
1761224 (42" & 48" Decks)

MOWER SPINDLE ASSEMBLIES
MODELS 14023, 14024, 14025, 14026, 14030,
14031, 14043, 14049, 14051, 14052, 14054,
14055, 14056, 14060 & 14094

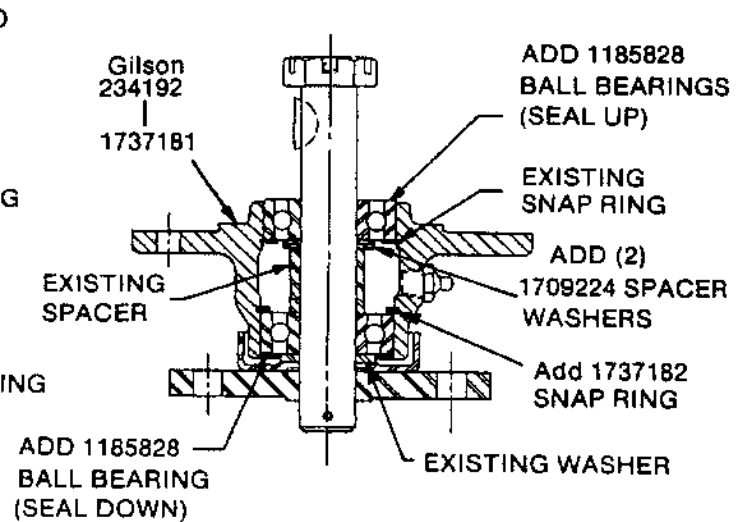


MOWER SPINDLE ASSEMBLIES (CONT'D)

**MODEL 18338
(CONE BEARING DESIGN)**

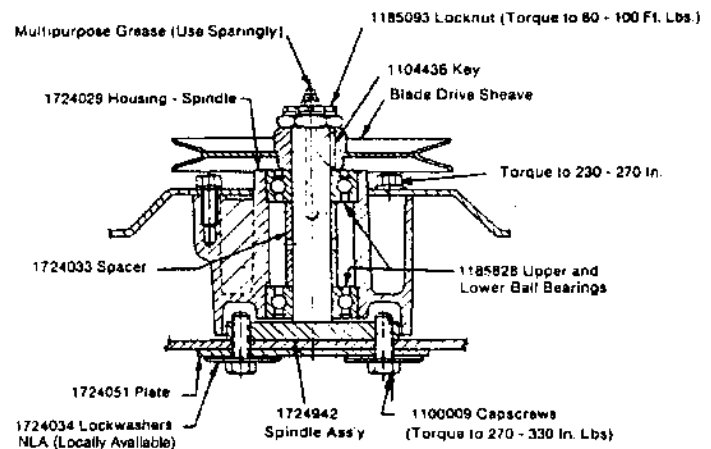
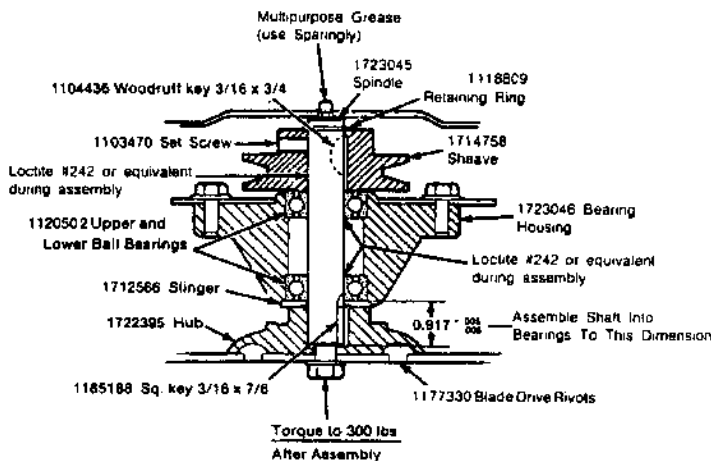


**MODEL 18338
(ROLLER BEARING DESIGN)**



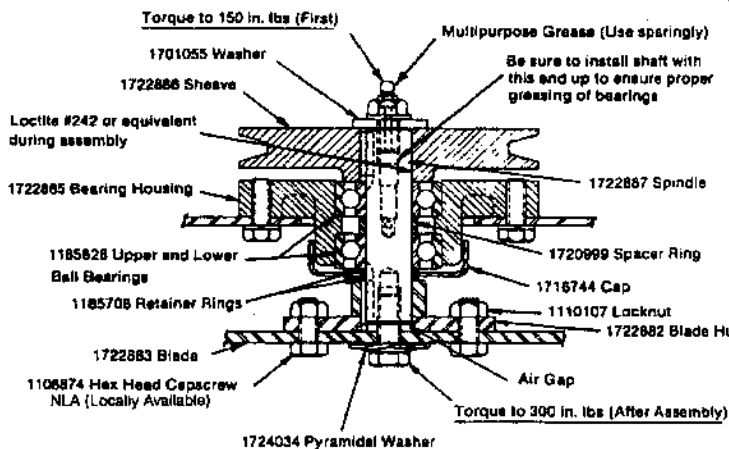
**MODELS 18449, 18415,
18416, 18417 & 18418**

**MODELS 1134, 1349, 1954, 14000, 14001, 14002,
15115, 18049-04 & UP, 18110, 18300, 18301,
18335, 18336, 19209, 19210, 19211, 19212,
17350, 20042, 30042S, 32042S, 30048S, 50042S,
50048R, 50048S, 51042S/R, 51048R & 51048S/R**

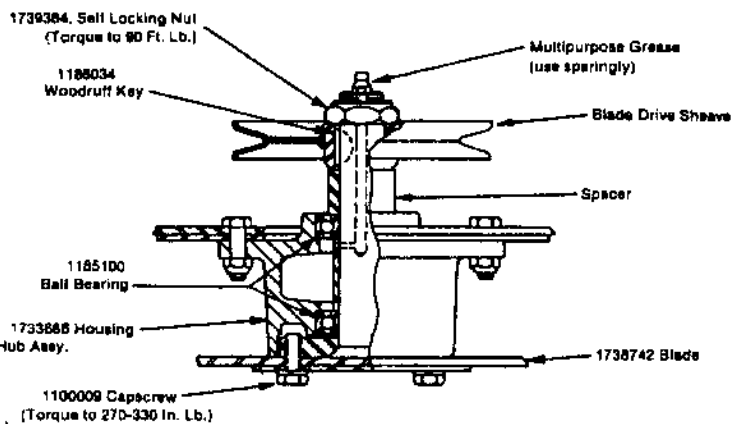


MOWER SPINDLE ASSEMBLIES (CONT'D)

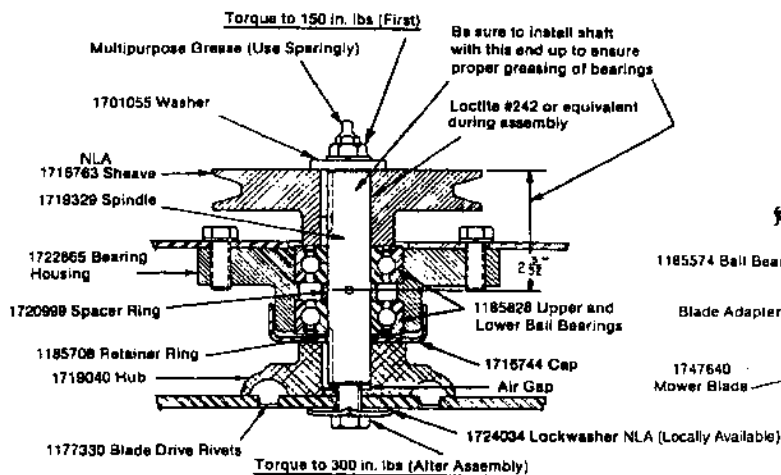
MODELS 18070 & 18071



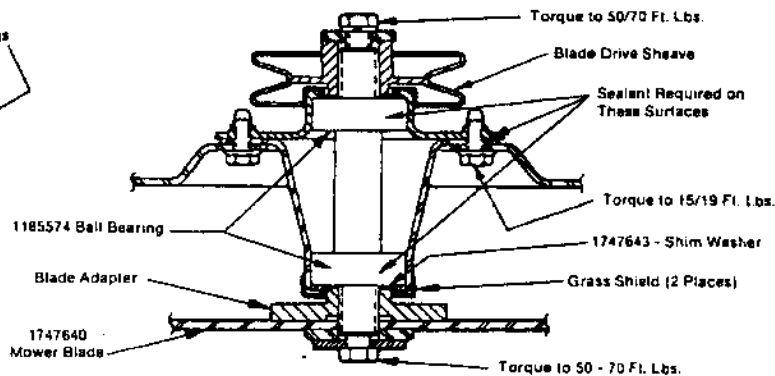
MODELS 17660, 50060 & 51060/R



MODELS 18048, 18049-01 thru 03, 18420, 18421, 18422, 18423 & 18457



MODELS 14003, 30036 & 31036/R



ASSEMBLY INSTRUCTIONS FOR ABOVE SPINDLE

1. Spread thin film of Loctite #242 on shaft and on one side of flat washer #1701055.
 2. Assemble spindle as illustrated making sure grease hole is 2 - 3/32" from sheave end and wetted side of flat washer is against sheave. Finger tighten blade bolt and torque sheave bolt to 150 in. lbs.
 3. Once sheave bolt is torqued then the blade bolt is torqued to 300 in. lbs. Grease spindle.
- NOTE:** The air gap between the hub #1719040 and the end of the shaft is important.

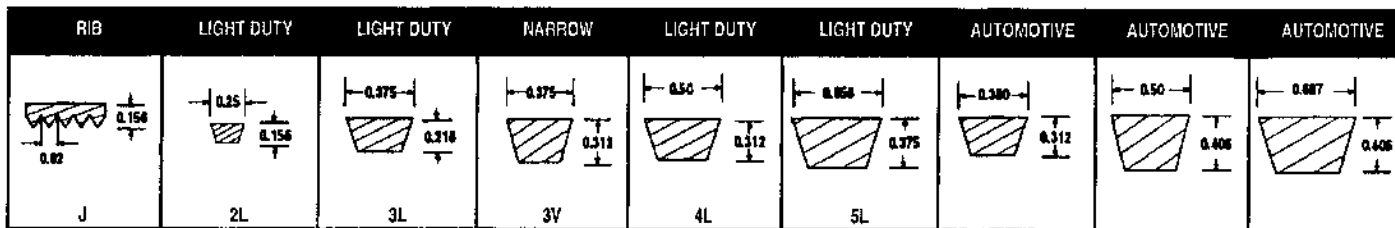
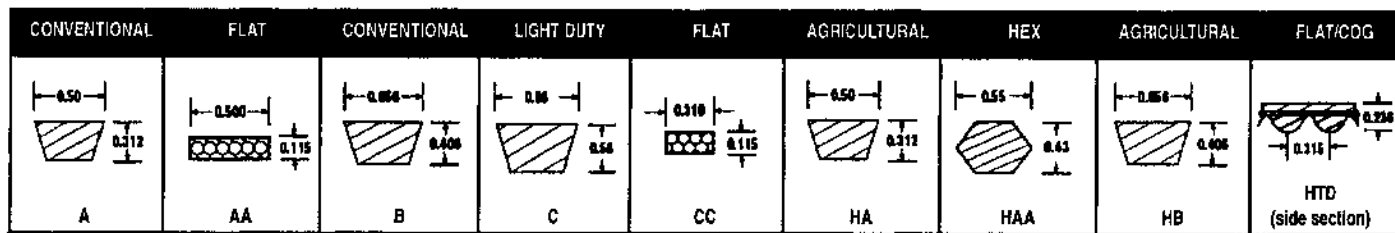
SERVICE ASSEMBLY PART NO. 1741825 FOR ABOVE SPINDLE

- Consists of:
- (1) 1722865 Housing
 - (2) 1185828 Bearing
 - (1) 1720999 Spacer

TYPE	CHAPTER SECTION PAGE	
<u>MISCELLANEOUS INFORMATION</u>		
Belts	12	1 1-7
Tire, Chain & Tube Part Numbers	12	2 1-2
Peerless Transmissions	12	3 1-2
Electric Clutch Troubleshooting	12	4 1
Hydro Transmissions	12	5 1-15
Tiller Driveshafts.....	12	6 1
Miscellaneous Part Numbers	12	7 1-2
Service Letters & Bulletins	12	8 1-13

MISCELLANEOUS INFORMATION

BELT INFORMATION
CROSS SECTION INFORMATION



CROSS SECTION A

EFFECTIVE LENGTH		PER SET	PART NUMBER	TYPE
(Inches)	cm			
20	51	1	1705061	2
25.375	64	1	1916657	1
27.72	70	1	1911323	1
30.562	78	1	1716161	2
35.086	89	1	1705034	2
39	99	1	1711916	2
44.25	112	1	1745059	1
48	122	1	1714286	2
56.25	143	1	1820548	2
56.08	142	1	1763169	4
57	145	1	1816002	2
69.75	177	1	1820283	2
84.75	215	1	1820209	2
86.5	220	1	1820549	2
96.3	245	1	1747938	2
101.5	258	1	1820400	2
142	361	1	1820623	2
167	424	1	1754694	2

CROSS SECTION B

EFFECTIVE LENGTH		PER SET	PART NUMBER	TYPE
(Inches)	cm			
36.12	92	1	1712912	4
40	102	1	1706462	2
42	107	1	1706383	2

CROSS SECTION C (Rib)

EFFECTIVE LENGTH		PER SET	PART NUMBER	TYPE
(Inches)	cm			
52.88	134.3	1	1917579	2
78.75	200	1	1761480	3

CROSS SECTION AA

EFFECTIVE LENGTH		PER SET	PART NUMBER	TYPE
(Inches)	cm			
20.40	50	1	97075	3
21.610	55	1	1915555	2

CROSS SECTION CC

EFFECTIVE LENGTH		PER SET	PART NUMBER	TYPE
(Inches)	cm			
26	66	1	1908537	3
28	71	1	1909198	3

1 - Raw Edge (cut)

2 - Wrapped

3-Flat

4-Cog

BELT INFORMATION (CONT'D)
CROSS SECTION HA

EFFECTIVE LENGTH		PER SET	PART NUMBER	TYPE	EFFECTIVE LENGTH		PER SET	PART NUMBER	TYPE
(Inches)	cm				(Inches)	cm			
21.87	56	1	9200	2	67.25	171	1	1764906	2
22.14	56	1	9245	1	68.3	173	1	1744493	2
23.62	60	1	9201	2	69.25	176	1	1737347	2
27.50	70	1	1983445	1	69.25	176	1	1761281	1
28.937	73	1	1820715	2	71.25	181	1	1732726	2
31.312	80	1	1820284	2	77	196	1	1726701	1
34.75	88	1	1745047	2	77.24	196	1	1765211	1
35.125	89	2	1724729	2	78.86	200	1	1739080	1
35.25	90	1	1813590	2	81.38	207	1	1741576	1
36.187	92	1	1813761	2	83.25	211	1	1741577	1
36.25	92	2	1736279	2	84.88	216	1	1756725	2
37	94	1	1813220	2	88.25	224	1	1765339	1
37.7	96	3	1746868	1	91.92	233	1	1751597	2
38.18	97	2	1752751	2	92	234	1	1728133	2
38.31	97	1	1742385	1	94.10	239	1	1765349	2
39.51	100	1	97042	1	95.50	243	1	1741568	2
40	102	2	1767379	1	96.875	246	1	1747188	2
40.50	103	1	1749710	2	98.1	249	1	1743876	2
40.531	103	1	1742628	1	102.7	261	1	1765300	2
41	104	1	1983443	1	100.75	256	1	1736903	2
42	107	1	1770373	2	101	257	1	1820101	2
42.69	107	1	1741578	1	101	257	1	1764120	1
42.7	108	1	1772253	2	101.50	258	1	1760959	2
44.3	113	1	1747232	2	102	259	1	1765362	2
44.75	114	3	1863848	1	102.53	260	1	1763200	2
45.78	116	1	97043	1	105.12	267	1	1746823	2
46.5	118	1	1820812	2	105.12	267	1	1754702	2
48.4	123	1	1742629	2	105.12	267	1	1767127	spec
49.10	125	1	1738015	2	106	269	1	1753081	2
52.50	133	1	1772383	1	107.5	273	1	1754778	2
54.1	137	1	1737574	2	109.55	278	1	1760960	2
54.1	137	1	1745371	2	114	290	1	1185651	2
55.236	140	1	1745368	2	118.59	301	1	1750842	2
56.6	144	1	1908749	2	127.12	323	1	1748274	2
57.30	146	1	T236321	2	135	343	1	1726723	2
59.09	150	1	1737459	2	137.125	348	1	1724943	2
60	152	1	1761188	2	141	358	1	1747725	2
62	157	1	1760958	2	156	396	1	1764009	1
63.625	162	1	1761224	1	159.5	405	1	1764007	1
65.55	169	1	1769767	2	166	422	1	1764008	1
67.25	171	1	1769830	1					

1 - Raw Edge (cut)

2 - Wrapped

3-Flat

4-Cog

BELT INFORMATION (CONT'D)

CROSS SECTION HB

EFFECTIVE LENGTH		PER SET	PART NUMBER	TYPE
(Inches)	cm			
41.25	105	1	1813667	2
45	114	1	1860820	2
46.72	118	1	1729716	2
55	140	1	1813764	2
64	163	1	1812039	2
72	183	1	1812204	2
73.75	187	1	1812101	2
78.75	200	1	1825094	2
158.85	403	1	1749458	2
158.80	403	1	1864454	2

CROSS SECTION HTD

EFFECTIVE LENGTH		PER SET	PART NUMBER	TYPE
(Inches)	cm			
27.25	69	1	1820970	2
49.134	125	1	1773600	4
53.543	136	1	1773601	4

CROSS SECTION 3V

EFFECTIVE LENGTH		PER SET	PART NUMBER	TYPE
(Inches)	cm			
25	64	1	1715611	2
31.5	80	1	1715612	2
32.44	83	2	1713533	auto
67	170	1	1752128	1
71.437	181	1	1813223	2

CROSS SECTION AUTO

EFFECTIVE LENGTH		PER SET	PART NUMBER	TYPE
(Inches)	cm			
23	58	2	1714513	2
27.6	70	2	1715614	1
52.59	134	1	1715212	1 & 4
62.5	160	1	1772984	1

CROSS SECTION J (Rib)

EFFECTIVE LENGTH		PER SET	PART NUMBER	TYPE
(Inches)	cm			
21.81	56	1	1717124	3
33	83	1	1737898	3
34.50	88	1	1737899	3

CROSS SECTION 2L

EFFECTIVE LENGTH		PER SET	PART NUMBER	TYPE
(Inches)	cm			
33.5	85	1	1744706	1

CROSS SECTION 3L (MOD)

EFFECTIVE LENGTH		PER SET	PART NUMBER	TYPE
(Inches)	cm			
43	109	1	1732171	1

CROSS SECTION 3L

EFFECTIVE LENGTH		PER SET	PART NUMBER	TYPE
(Inches)	cm			
19.812	50	1	1904748	2
21	53	1	50028	1
22.20	56	1	9022	1
24	61	1	1764111	2
27.65	70	1	50134	1
27.70	70	1	1916753	1
29.125	74	1	1916658	1
30.25	77	1	1712719	2
30.25	77	1	1715621	2
31	79	1	1751601	1
31	79	1	1716036	2
32	81	1	1739943	1 & 4
32.375	82	1	1916958	1
33	84	1	1745518	1 & 4
33.38	88	1	1753373	1
33.88	86	2	1746376	1
34	86.36	1	1904625	1
34.50	88	1	1917357	4
34.69	88	1	1735996	1
35.26	90	1	1746379	1
35.37	90	1	1720938	1
35.50	90	1	T239661	2
36	91	1	1752194	1
36	91	2	1903348	1
36.25	92	1	1765595	1
36.25	92	1	1909946	4
36.34	92.3	1	1908929	1
37	94	1	1731579	2
40.38	103	1	1723661	1
41.250	104.8	1	1917005	4
42	107	1	1755565	1
43	109	2	1722171	1

CROSS SECTION SPECIAL

EFFECTIVE LENGTH		PER SET	PART NUMBER	TYPE
(Inches)	cm			
46	117	1	1820811	2
98	249	1	1813221	2

1 - Raw Edge (cut)

2 - Wrapped

3-Flat

4-Cog

Cross Section Reference - Page 12-1

The effective length of a V-Belt cannot be accurately measured by using a tape or other straight measuring tool. A special belt measuring device must be used. Effective length is not necessarily the same as outside length.

BELT INFORMATION (CONT'D)**CROSS SECTION 4L**

EFFECTIVE LENGTH		PER SET	PART NUMBER	TYPE
(Inches)	cm			
21.70	55	2	TH1128	1
23.75	60	1	55037	1
23.80	60	1	20565	1
23.80	60	1	1909404	1
24.93	63	1	50161	1
27.79	71	1	1817025	2
30	76	1	1714785	2
30	77	2	1720573	2
31	79	1	1732582	2
31	79	1	1767848	1
31.5	80	1	1714690	1 & 4
32	81	3	1719203	2
33	84	1	1714115	2
33	84	1	1720726	2
33	84	1	1800367	2
34	86	1	1725253	2
34	86	2	1736259	2
34.25	87	3	1722639	2
35	88	1	1733770	2
35.125	89	2	1733152	2
35.125	89	1	1733439	2
35.625	90	1	1711844	2
35.75	90	1	1767142	2
36	91	1	1766808	2
37.125	94	2	1725407	1
37.5	95	1	1739944	1
37.5	95	2	1739945	1
38	97	1	1772310	1
41	104	1	1719783	1
42.5	107	2	1716570	2
43	109	1	1725603	2
43	109	1	1732880	1
44	112	1	1720131	2
44.5	113	1	1722993	2
46	117	1	1720727	1
47	119	1	1715942	2
47	119	1	1985772	2
48.5	123	1	1722523	1
51.28	130	1	1731719	2
52	132	1	1721967	1
52	132	1	1764942	2
58.38	148	1	1770334	2

EFFECTIVE LENGTH		PER SET	PART NUMBER	TYPE
(Inches)	cm			
62	157	1	1722344	1
63.5	161	1	1719731	1
64.62	164	1	1736248	1
64.62	164	1	1738496	2
65	167	1	1722238	2
65.62	167	1	1738511	2
66.62	169	1	1749709	2
67.5	171	1	1724035	1 & 4
68.25	173	1	1763173	2
70.3	179	1	1716307	1
70.69	180	1	1741135	2
74	188	1	1762820	2
74.875	190	1	1724148	2
77	196	1	1755639	1
84	213	1	1764112	1
85	216	1	1716557	2
90.1	229	1	1743519	2
96.3	245	1	1742938	2
130	331	1	1718653	2
146.125	371	1	1725502	2

CROSS SECTION 5L

EFFECTIVE LENGTH		PER SET	PART NUMBER	TYPE
(Inches)	cm			
29	74	1	97133	1
29.16	74	1	1902325	1
32.25	82	1	1816023	2
34.25	87	1	1720718	1
35	89	1	1816410	1
35	89	1	W5L350	1
35.25	90	1	1722074	1
39.25	100	1	1762636	2
43	109	1	1715740	2
44	112	1	1860801	2
44.25	112	1	1722095	2
50.12	127	1	1770950	2
117	297	1	1860810	2

1 - Raw Edge (cut)

2 - Wrapped

3 - Flat

4 - Cog

Cross Section Reference - Page 12-1

The effective length of a V-Belt cannot be accurately measured by using a tape or other straight measuring tool. A special belt measuring device must be used. Effective length is not necessarily the same as outside length.

12

BELT INFORMATION Cont'd
PART NUMBER REFERENCE

CM	PER SET	TYPE	CROSS SEC	PART #	INCHES	CM	PER SET	TYPE	CROSS SEC	PART #	INCHES
146	1	2	HA	T236321	57.3	107	2	2	4L	1716570	42.5
90	1	2	3L	T239661	35.5	56	1	3	J	1717124	21.81
89	1	1	5L	W5L350	35	331	1	2	4L	1718653	130
55	2	1	4L	1128	21.7	81	3	2	4L	1719203	32
56	1	1	3L	9022	22.2	161	1	1	4L	1719731	63.5
56	1	2	HA	9200	21.87	104	1	1	4L	1719783	41
60	1	2	HA	9201	23.62	112	1	2	4L	1720131	44
56	1	1	HA	9245	22.14	77	2	2	4L	1720573	30
60	1	1	4L	20565	23.8	87	1	1	5L	1720718	34.25
53	1	1	3L	50028	21	84	1	2	4L	1720726	33
70	1	1	3L	50134	27.65	117	1	1	4L	1720727	46
63	1	1	4L	50161	24.93	90	1	1	3L	1720938	35.37
60	1	1	4L	55037	23.75	132	1	1	4L	1721967	52
100	1	1	HA	97042	39.51	90	1	1	5L	1722074	35.25
116	1	1	HA	97043	45.78	112	1	2	5L	1722095	44.25
50	1	3	AA	97075	20.4	109	2	1	3L	1722171	43
74	1	1	5L	97133	29	167	1	2	4L	1722238	65
290	1	2	HA	1185651	114	157	1	1	4L	1722344	62
89	1	2	A	1705034	35.086	123	1	1	4L	1722523	48.5
51	1	2	A	1705061	20	87	3	2	4L	1722639	34.25
107	1	2	B	1706383	42	113	1	2	4L	1722993	44.5
102	1	2	B	1706462	40	103	1	1	3L	1723661	40.38
90	1	2	4L	1711844	35.625	171	1	1&4	4L	1724035	67.5
99	1	2	A	1711916	39	190	1	2	4L	1724148	74.875
77	1	2	3L	1712719	30.25	89	2	2	HA	1724729	35.125
92	1	4	B	1712912	36.12	348	1	2	HA	1724943	137.125
83	2	A	3V	1713533	32.44	86	1	2	4L	1725253	34
84	1	2	4L	1714115	33	94	2	1	4L	1725407	37.125
122	1	2	A	1714286	48	371	1	2	4L	1725502	146.125
58	2	2	AUTO	1714513	23	109	1	2	4L	1725603	43
80	1	1&4	4L	1714690	31.5	196	1	1	HA	1726701	77
76	1	2	4L	1714785	30	343	1	2	HA	1726723	135
134	1	1&4	AUTO	1715212	52.59	234	1	2	HA	1728133	92
64	1	2	3V	1715611	25	118	1	2	HB	1729716	46.72
80	1	2	3V	1715612	31.5	94	1	2	3L	1731579	37
70	2	1	AUTO	1715614	27.6	130	1	2	4L	1731719	51.28
77	1	2	3L	1715621	30.25	109	1	1	3L	1732171	43
109	1	2	5L	1715740	84.75	79	1	2	4L	1732582	31
119	1	2	4L	1715942	47	181	1	2	HA	1732726	71.25
79	1	2	3L	1716036	31	109	1	1	4L	1732880	43
78	1	2	A	1716161	30.562	89	2	2	4L	1733152	35.125
179	1	1	4L	1716307	70.3	89	1	2	4L	1733439	35.125
216	1	2	4L	1716557	85	88	1	2	4L	1733770	35

1 - Raw Edge (cut) 2 - Wrapped 3 - Flat 4 - Cog

Cross Section Reference - Page 12-1

The effective length of a V-Belt cannot be accurately measured by using a tape or other straight measuring tool. A special belt measuring device must be used. Effective length is not necessarily the same as outside length.

BELT INFORMATION Cont'd
PART NUMBER REFERENCE

12

CM	PER SET	TYPE	CROSS SEC	PART #	INCHES	CM	PER SET	TYPE	CROSS SEC	PART #	INCHES
88	1	1	3L	1735996	34.69	358	1	2	HA	1747725	141
164	1	1	4L	1736248	64.62	245	1	2	A	1747938	96.3
86	2	2	4L	1736259	34	323	1	2	HA	1748274	127.12
92	2	2	HA	1736279	36.25	403	1	2	HB	1749458	158.85
256	1	2	HA	1736903	100.75	169	1	2	4L	1749709	66.62
176	1	2	HA	1737347	69.25	103	1	2	HA	1749710	40.5
150	1	2	HA	1737459	59.09	301	1	2	HA	1750842	118.59
137	1	2	HA	1737574	54.1	233	1	2	HA	1751597	91.92
83	1	3	J	1737898	33	79	1	1	3L	1751601	31
88	1	3	J	1737899	34.5	170	1	1	3V	1752128	67
125	1	2	HA	1738015	49.1	91	1	1	3L	1752194	36
164	1	2	4L	1738496	64.62	97	2	2	HA	1752751	38.18
167	1	2	4L	1738511	65.62	269	1	2	HA	1753081	106
200	1	1	HA	1739080	78.86	88	1	1	3L	1753373	33.38
81	1	4	3L	1739943	32	424	1	2	A	1754694	167
95	1	1	4L	1739944	37.5	267	1	2	HA	1754702	105.12
95	2	1	4L	1739945	37.5	273	1	2	HA	1754778	107.5
180	1	2	4L	1741135	70.69	107	1	1	3L	1755565	42
243	1	2	HA	1741568	95.50	196	1	1	4L	1755639	77
207	1	1	HA	1741576	81.38	216	1	2	HA	1756725	84.88
211	1	1	HA	1741577	83.25	157	1	2	HA	1760958	62
107	1	1	HA	1741578	42.69	258	1	2	HA	1760959	101.5
97	1	1	HA	1742385	38.31	278	1	2	HA	1760960	109.55
103	1	1	HA	1742628	40.531	152	1	2	HA	1761188	60
123	1	2	HA	1742629	48.4	162	1	1	HA	1761224	63.625
245	1	2	4L	1742938	96.3	176	1	1	HA	1761281	69.25
229	1	2	4L	1743519	90.1	200	1	3	C	1761480	78.75
249	1	2	HA	1743876	98.1	100	1	2	5L	1762636	39.25
173	1	2	HA	1744493	68.3	188	1	2	4L	1762820	74
85	1	1	2L	1744706	33.5	142	1	4	A	1763169	56.08
88	1	2	HA	1745047	34.75	173	1	2	4L	1763173	68.25
112	1	1	A	1745059	44.25	260	1	2	HA	1763200	102.53
140	1	2	HA	1745368	55.236	405	1	1	HA	1764007	159.5
137	1	2	HA	1745371	54.1	422	1	1	HA	1764008	166
84	1	4	3L	1745518	33	396	1	1	HA	1764009	156
86	2	1	3L	1746376	33.88	61	1	2	3L	1764111	24
90	1	1	3L	1746379	35.26	213	1	1	4L	1764112	84
267	1	2	HA	1746823	105.12	257	1	1	HA	1764120	101
96	3	1	HA	1746868	37.7	171	1	2	HA	1764906	67.25
246	1	2	HA	1747188	96.875	132	1	2	4L	1764942	52
113	1	2	HA	1747232	44.3	196	1	1	HA	1765211	77.24
						261	1	2	HA	1765300	102.7

1 - Raw Edge (cut)

2 - Wrapped

3 - Flat

4 - Cog

Cross Section Reference - Page 12-1

The effective length of a V-Belt cannot be accurately measured by using a tape or other straight measuring tool. A special belt measuring device must be used. Effective length is not necessarily the same as outside length.

BELT INFORMATION Cont'd
PART NUMBER REFERENCE

CM	PER SET	TYPE	CROSS_SEC	PART #	INCHES	CM	PER SET	TYPE	CROSS_SEC	PART #	INCHES
224	1	1	HA	1765339	88.25	80	1	2	HA	1820284	31.312
239	1	2	HA	1765349	94.1	258	1	2	A	1820400	101.5
259	1	2	HA	1765362	102	143	1	2	A	1820548	56.25
92	1	1	3L	1765595	36.25	220	1	2	A	1820549	86.5
91	1	2	4L	1766808	36	361	1	2	A	1820623	142
267	1	SP	HA	1767127	105.12	73	1	2	HA	1820715	28.937
90	1	2	4L	1767142	35.75	117	1	2	SP	1820811	46
102	2	1	HA	1767379	40	118	1	2	HA	1820812	46.5
79	1	1	4L	1767848	31	69	1	2	HTD	1820970	27.25
169	1	2	HA	1769767	65.55	200	1	2	HB	1825094	78.75
171	1	1	HA	1769830	67.25	112	1	2	5L	1860801	44
148	1	2	4L	1770334	58.38	297	1	2	5L	1860810	117
107	1	2	HA	1770373	42	114	1	2	HB	1860820	45
127	1	2	5L	1770950	50.12	114	3	1	HA	1863848	44.75
108	1	2	HA	1772253	42.7	403	1	2	HB	1864454	158.8
97	1	1	4L	1772310	38	74	1	1	5L	1902325	29.16
133	1	1	HA	1772383	52.50	91	2	1	3L	1903348	36
160	1	1	AUTO	1772984	62.5	86.36	1	1	3L	1904625	34
125	1	4	HTD	1773600	49.134	50	1	2	3L	1904748	19.812
136	1	4	HTD	1773601	53.543	66	1	3	CC	1908537	26
84	1	2	4L	1800367	33	144	1	2	HA	1908749	56.6
163	1	2	HB	1812039	64	92.3	1	1	3L	1908929	36.34
187	1	2	HB	1812101	73.75	71	1	3	CC	1909198	28
183	1	2	HB	1812204	72	60	1	1	4L	1909404	23.80
94	1	2	HA	1813220	37	92	1	4	3L	1909946	36.25
249	1	2	SP	1813221	98	70	1	1	A	1911323	27.72
181	1	2	3V	1813223	71.437	55	1	2	AA	1915555	21.610
90	1	2	HA	1813590	35.25	64	1	1	A	1916657	25.375
105	1	2	HB	1813667	41.25	74	1	1	3L	1916658	29.125
92	1	2	HA	1813761	36.187	70	1	1	3L	1916753	27.70
140	1	2	HB	1813764	55	82	1	1	3L	1916958	32.375
145	1	2	A	1816002	57	104.8	1	4	3L	1917005	41.250
82	1	2	5L	1816023	32.25	88	1	4	3L	1917357	34.50
89	1	1	5L	1816410	35	134.3	1	2	C	1917579	52.88
71	1	2	4L	1817025	27.79	104	1	1	HA	1983443	41
257	1	2	HA	1820101	101	70	1	1	HA	1983445	27.5
215	1	2	A	1820209	4.75	119	1	2	4L	1985772	47
177	1	2	A	1820283	69.75						

1 - Raw Edge (cut)

2 - Wrapped

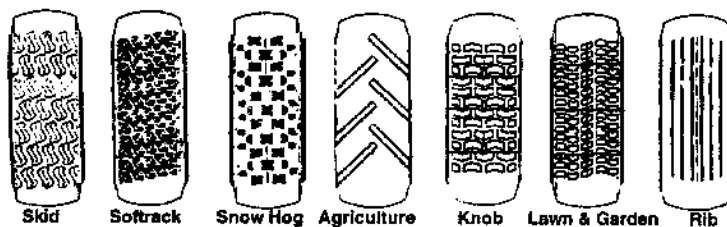
3 - Flat

4 - Cog

Cross Section Reference - Page 12-1

The effective length of a V-Belt cannot be accurately measured by using a tape or other straight measuring tool. A special belt measuring device must be used. Effective length is not necessarily the same as outside length.

TIRE, CHAIN AND TUBE PART NUMBERS

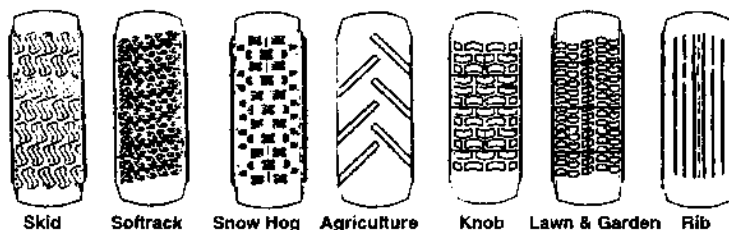


Tires			Corresponding Chain		Corresponding Tube	
SIZE	PART NUMBER	TREAD STYLE	SIZE	PART NUMBER	SIZE	PART NUMBER
4.10/3.50-4	1755828	Snow Hog	4.10 x 3.50-4	NLA 1715672	4.10 x 3.50-4	NLA 1724156
4.10/3.50-4 (S)	1750794	Lawn & Garden	4.10 x 3.50-4	1750823	4.10 x 3.50-4	NLA 1724156
4.10/3.50-4	1724157	Knob	4.10 x 3.50-4	1750823	4.10 x 3.50-4	NLA 1724156
4.10/3.50-6	NLA 1725299	Knob	4.10 x 3.50-6	1725381	4.10 x 3.50-6	NLA 1707999
4.10/3.50-6	1755827	Snow Hog	4.10 x 3.50-6	1756277	4.10 x 3.50-6	NLA 1707999
4.80/4.00-8	1234-1	Agriculture	4.80 x 4.00-8	9146	4.80 x 4.00-8	9112
4.80/4.00-8	1727902	Lawn & Garden	4.80 x 4.00-8	1756278	4.80 x 4.00-8	NLA 1724151
4.80/4.00-8	1755826	Snow Hog	4.80 x 4.00-8	1756278	4.80 x 4.00-8	NLA 1724151
5.70/5.00-8	NLA 1719153	Rib	N/A	N/A	4.80 x 4.00-8	NLA 1724151
13 x 5.00-6	NLA 1725302	Knob	13 x 5.00-6	NLA 1725382	4.10 x 3.50-6	NLA 1707999
13 x 5.00-6	1813758	Lawn & Garden	13 x 5.00-6	NLA 1725382	4.10 x 3.50-6	NLA 1707999
13 x 5.00-6	NLA 1732469	Softrack	13 x 5.00-6	NLA 1725382	4.10 x 3.50-6	NLA 1707999
13 x 6.50-6	1725305	Knob	13 x 6.50-6	NLA 1725383	4.10 x 3.50-6	NLA 1707999
15 x 6.00-6	1750354	Skid	N/A	N/A	N/A	N/A
15 x 6.00-6	1762254	Skid	N/A	N/A	N/A	N/A
16 x 6.50-8	1755825	Snow Hog	16 x 6.50-8	1756279	16 x 6.50	1735720
16 x 6.50-8	1756840	Knob	16 x 6.50-8	1756279	16 x 6.50	1735720
16 x 6.50-8	1732957	Rib	16 x 6.50-8	1756279	16 x 6.50	1735720
16 x 6.50-8	1764745	Skid	16 x 6.50-8	1756279	16 x 6.50	1735720
16 x 6.50-8	1750353	Skid	16 x 6.50-8	1756279	16 x 6.50	1735720
16 x 6.50-8	1768792	Skid	16 x 6.50-8	1756279	16 x 6.50	1735720
16 x 6.50-8	1813208	Lawn & Garden	16 x 6.50-8	1756279	16 x 6.50	1735720
16 x 7.50-8	NLA 1732467	Softrack	N/A	N/A	16 x 6.50	1735720
16 x 7.50-8	1742388	Lawn & Garden	N/A	N/A	N/A	N/A
18 x 8.50-8	NLA 1732925	Softrack	18 x 8.50-8	NLA 1738417	16 x 6.50	1735720
18 x 8.50-8	1734851	Rib	18 x 8.50-8	NLA 1738417	16 x 6.50	1735720
18 x 9.50-8	NLA 1737319	Softrack	18 x 9.50-8	NLA 1738418	N/A	N/A
20 x 8.00-8	1762250	Softrack	20 x 8.00-10	(S) 1745130	N/A	N/A
20 x 8.00-8	1772455	Skid	20 x 8.00-10	(S) 1745130	N/A	N/A
20 x 8.00-10	NLA 1720164	Lawn & Garden	20 x 8.00-10	(S) 1745130	N/A	N/A
20 x 8.00-10 (S)	1750352	Skid	20 x 8.00-10	(S) 1745130	N/A	N/A
20 x 8.00-10	1766275	Skid	20 x 8.00-10	(S) 1745130	N/A	N/A
20 x 8.00-10	1742466	Softrack	20 x 8.00-10	(S) 1745130	16 x 6.50	1735720
20 x 8.50-10 (S)	1820143	Softrack	20 x 8.00-10	(S) 1745130	N/A	N/A

NLA - No Longer Available

N/A - Not available S - Superseded

TIRE, CHAIN AND TUBE PART NUMBERS



Skid Softrack Snow Hog Agriculture Knob Lawn & Garden Rib

Tires			Corresponding Chain			Corresponding Tube	
SIZE	PART NUMBER	TREAD STYLE	SIZE	PART NUMBER	SIZE	PART NUMBER	
22 x 7.50-12	1820390	Softrack	22 x 7.50-12	1863382	N/A	N/A	
22 x 7.50-12	1823015	Softrack	22 x 7.50-12	1863382	N/A	N/A	
23 x 8.50-12	NLA 1727901	Lawn & Garden	23 x 8.50-12	NLA 1716190	N/A	N/A	
23 x 8.50-12	1716971	Agriculture	23 x 8.50-12	NLA 1716190	N/A	N/A	
23 x 8.50-12	1733081	Softrack	23 x 8.50-12	NLA 1716190	N/A	N/A	
23 x 8.50-12	1764746	Skid	23 x 8.50-12	NLA 1716190	N/A	N/A	
23 x 9.50-12	NLA 1728656	Lawn & Garden	23 x 10.50-12	1721585	N/A	N/A	
23 x 10.50-12	1723199	Agriculture	23 x 10.50-12	1721585	N/A	N/A	
23 x 10.50-12 (S)	1732926	Softrack	23 x 10.50-12	1721585	N/A	N/A	
23 x 10.50-12	1764747	Skid	23 x 10.50-12	1721585	N/A	N/A	
23 x 10.50-12	1768795	Skid	23 x 10.50-12	1721585	N/A	N/A	
26 x 12.00-12	1718298	Agriculture	26 x 12.00-12	NLA 1718284	26 x 12.00-12	1734132	
26 x 12.00-12	NLA 1732924	Softrack	26 x 12.00-12	NLA 1718284	26 x 12.00-12	1734132	
27 x 8.50-15	NLA 1718243	Agriculture	N/A	N/A	N/A	N/A	
27 x 8.50-15	NLA 1717204	Lawn & Garden	N/A	N/A	N/A	N/A	

NLA - No Longer Available

N/A - Not available S - Superseded

PEERLESS TRANSMISSIONS AND DIFFERENTIALS

SKU/ Model	Peerless Model	Service No.	SKU/ Model	Peerless Model	Service No.
Chipper/Vac			Tractors Cont'd.		
All	9000-001/002	794543A	730/733	1207	None (1)
	9000-003	794575	736	1301	None (1)
	9000-004	None (1)	812 (LT8) (01)	673	794263
	9000-005	None (1)	(02)	601-004	None (1)
Walk Behind Mowers			813 (01)	623	794173
High Wheel Mowers			(02 & 03)	623A	794173
34036/34037/34038/34039	915-022	None (1)	813 (G8) (04 & 05)	623A	794173
34066/34067/34068/34069	915-026	None (1)	(06 thru 08)	623B	794173
Wide Cut Mowers			814 (LT8E) (01)	673	794173
34041/34044	915-021	None (1)	(02)	601-004	None (1)
34071/34073/34087/34089	915-027	None (1)	1011G (G11LT)	801-009	794309
34342/34343	915-027	None (1)	1011H (H11LT)	1315	None (1)
34356/34363	915-029	None (1)	1060 (G11XL) (01)	2341	None (1)
Snowthrowers			(02)	2346	794320
5210/R/RS	700-005	None (1)	(RH Gearbox)	3345-P91	794251
42000	700-005	None (1)	1113 (LT11) (01)	673	794173
42027	700-005	None (1)	(02)	601-004	None (1)
42035	700-005	None (1)	1160 (G11XL) (01)	2341	None (1)
Riding Mowers			(02)	2346	794320
528/628	730	794259	(03)	2350	794320
(Diff.)	100-012	*794258	(RH Gearbox)	3488-P91	794251
728	503	794115	1463 (1400G) (01 & 02)	2350	794320
828/829 (01)	503	794115	(03)	2355	794320
(02)	521	None (1)	(RH Gearbox)	3488-P91	794251
830/831	730	794259	1467 (1402G) (01 & 02)	2355	794320
05 thru 09	100-012	*794258	(RH Gearbox)	3488-P91	794251
1130/1134/1136	730	794259	1468 (1402G) (01)	2344	794320
(Diff.)	100-012	*794258	(RH Gearbox)	3488-P91	794251
2027/2028/2030/2036/2136	730 & 730A	794259	1661 (G16XL) (01)	2346	794320
13000/13001/13003/13005	700-053	794561	(02 & 03)	2350	794320
Frame/Rear Steer			(RH Gearbox)	3488-P91	794251
933 (01)	781	794378	1662 (G16XT)	2350	794320
(Diff.)	100-019	794377	(RH Gearbox)	3488-P91	794251
(02)	781A	794378	1667 (1600G) (01 & 02)	2350	794320
(Diff.)	100-056	None (1)	(03 & 04)	2355	794320
936	781A	794378	(RH Gearbox)	3488-P91	794251
(Diff.)	100-056	None (1)	2016G (G16YT)	801-006	794309A
940	710A	794200	3010G (ST110)	920-011A	794455
	751	794322	3011G (ST110) (01)	801-018	794365
942 (02)	751	794322	(02 & 03)	801-018C	794365
(03)	758A	794323	3011H (ST110) (01)	1327	794425
(Diff.)	100-010	794319	3012G (ST125G)		
943	824	794396	(01 & 02)	801-018C	794365
Tractors			3012H (ST124H)		
160/161/164/165 (770)	1207	None (1)	(01 & 02)		
166 (775)	1301	None (1)	3014H (HP14) (01)		
510	623	794173		1327	794425
610/613 (01 thru 03)	623	794173		1327C	794425
(04)	623A	794173			

*Order axles 774440 & 774441 when replacing. **920-011A S/N 0300101-0400300, 930-028 S/N 0400301 & Later

PEERLESS TRANSMISSIONS AND DIFFERENTIALS (CONT'D)

SKU/ Model	Peerless Model	Service No.	SKU/ Model	Peerless Model	Service No.
Tractors Cont'd.			Tractors Cont'd.		
3016G (ST160) (01)	801-018	794365	13041 (13 Gear)	930-023	794455A
(02 thru 04)	801-018C	794365	13048 (SX 120)	930	794455A
3016H (ST160)			13049 (SX 120)	1800 (Hydro)	794453
(01 thru 04)	1327	794425	13051 (ST 125)	930-023	794455A
3018G (ST180) (01)	801-018C	794365	13053 (15 Gear)	820-026	None (1)
3018H (ST180) (01)	1327C	794425	13054 (15 Gear)	820-026	None (1)
3112G (ST120) (01)	801-018C	794365	13058 (STG 125)	930	794455A
3114G/R (ST140) (01)	801-018C	794365	13059 (STH 125)	1800 (Hydro)	794553
3114G (ST120) (01)	801-018C	794365	13069 (ST 150)	930	794455A
3114H (ST140) (01)	1327C	794425	13070 (STG 125)	930	794455A
3118G (GT180) (01)	842	None (1)	13071 (STH 125)	1800 (Hydro)	794453
3211G (ST110) (01)	842	None (1)	13072 (STG 125)	930	794455A
3212G/R (ST120)			13073 (STH 125)	1800 (Hydro)	794553
(01 & 02)	920-011	794455	13082 (STG 150)	930	794455A
(03)	920-011A	794455	13083 (15 Gear)	820-026	None (1)
(04)**	930-023	794455A	13084 (13 Gear)	930	794455A
3212H (ST120) (01)	1327C	794425	13095 (LTX)	MST 205	None (1)
3214G/R (ST140) (01)	801-018C	794365	13096 (LTX)	VST 205	None (1)
3312GR/S	920-011A	794455	13102 (LTX)	MST 205	None (1)
5017G (1700) (01 & 02)	2355	794320	13103 (LTX)	VST 205	None (1)
(RH Gearbox)	3890-P91	794305	13104 (LTX)	VST 205	None (1)
13011 (ST 120)	930-023	794455A	13112 (LTX)	MST 205	None (1)
13017 (ST 140)	801	794465	13113 (LTX)	VST 205	None (1)
13023 (ST120)	930-023	794455A	13114 (LTX)	VST 205	None (1)
13025 (12.5 Gear)	930-023	794455A	13123 (LTX)	VST 205	None (1)
13026 (12.5 Gear)	930-023	794455A	13A-130 (LTX)	MST 205	None (1)
13029 (SX 120)	930	794455A	13A-145 (LTX)	VST 205	None (1)
13034 (13 Gear)	930-023	794455A			

1. PEERLESS SUPPORT ONLY

ELECTRIC CLUTCH TROUBLESHOOTING
BOLENS & TROY-BILT

1. ELECTRIC PTO CLUTCH SPECIFICATIONS:

Voltage	12VDC
Resistance	3.2 Ohms
Current Draw	3.8 Amps

2. CLUTCH DOES NOT ENGAGE -

a. Check electrical system for broken wires or bad connections.

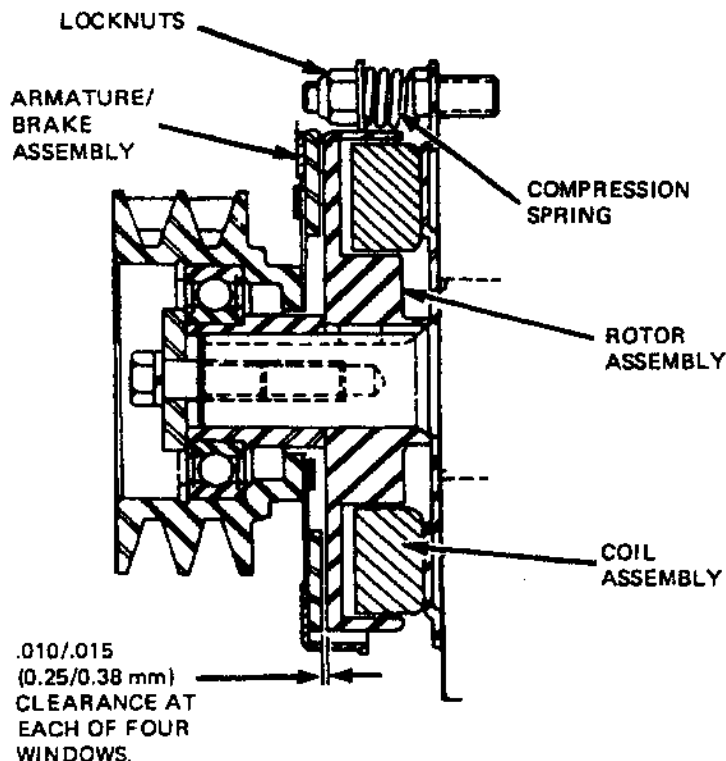
b. Check voltage at clutch lead.

Voltmeter should read more than 10 volts. If voltmeter does not register a reading, look for broken wires or connect clutch lead and check resistance reading of clutch coil. A normal resistance reading should be between 3.0 and 2.3 ohms. A reading outside these values indicates a faulty coil. The field assembly should then be replaced. Check armature/rotor gap. This is done by inserting a feeler gauge in the four (f) slots provided in the brake flange. The gap should be between .010" - .015" (0.25mm-0.38mm) with the clutch/brake switch in the "off" position. If the gap is greater, tighten the (4) locknuts until they just contact brake flange. (CAUTION: Do not over torque locknuts as damage to brake flange may result.)

- b. Inspect engine driven attachment with clutch belt removed. Attachment should turn freely.
- c. Check clutch/brake pulley grooves for grease or oil.

d. Check clutch/brake working surfaces for grease or oil.

NOTE: REMOVE GREASE OR OIL FROM CLUTCH/ BRAKE WORK-



3. ENGINE DRIVEN ATTACHMENT ROTATES SLOWER THAN NORMAL -

a. Check for loose belts.

ING SURFACES

ELECTRIC CLUTCH REPLACEMENT PARTS
(Manufactured by Ogura)

CLUTCH ASS'Y PART NO.	PULLEY GROOVES	FIELD COIL ASS'Y	BALL BEARING
1734788 (1")	1 V	1754155	1754156
1737217 (1-1/8") (A)	2 V	1754153	1754152
1741572 (1")	1 V	1754154	1754156
1744401 (1-1/8") (A)	2 V (B)	1754151	1754152
1745480 (1-1/4") (N1a)	2 V	1754153	1754152
1747059 (1-1/4")	2 V	1754151	1754152
1755341 (1")	1 V	Not Available	1724194 (upper) 1754156 (lower)

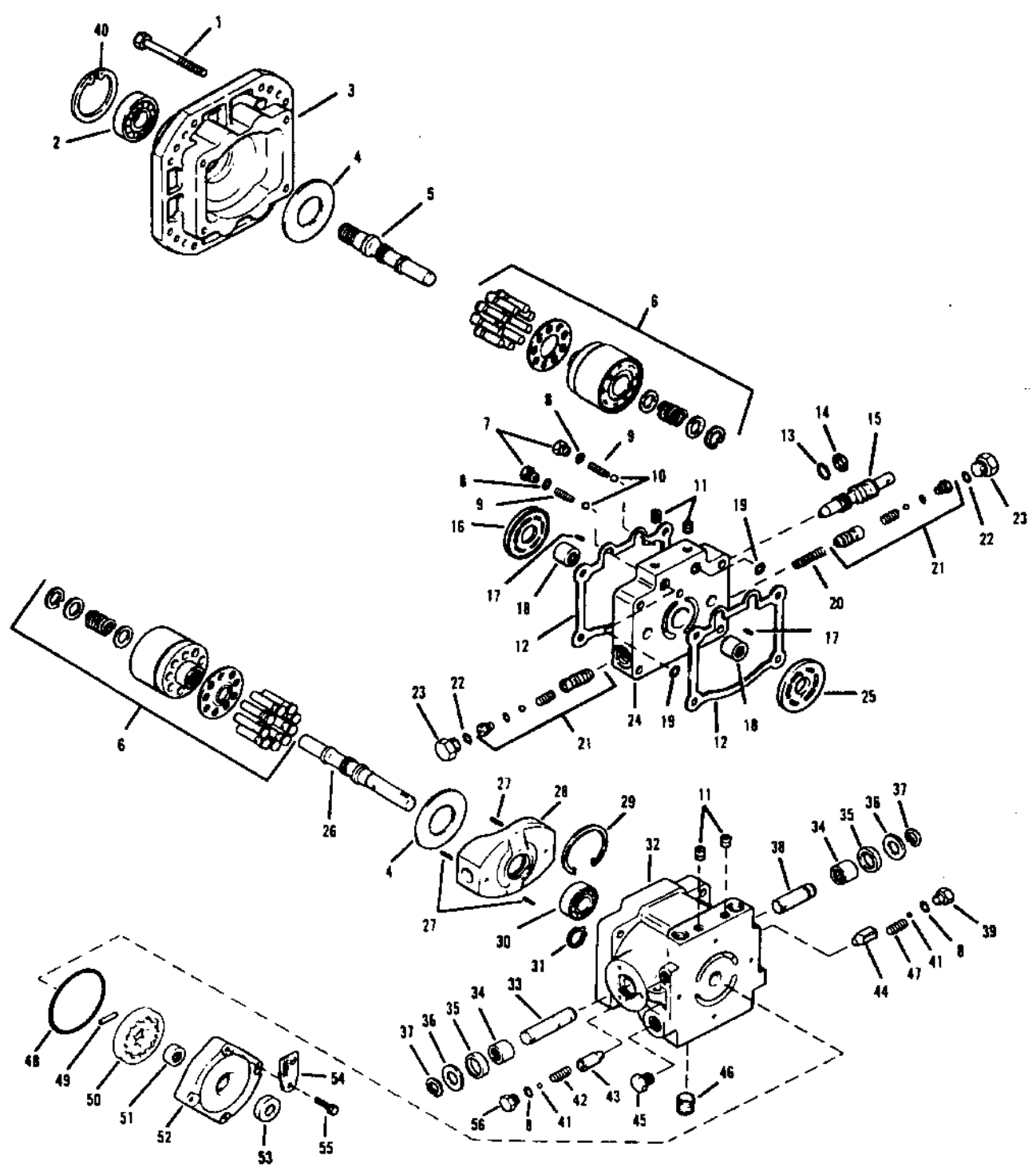
(A) These clutches have the same mounting flanges

(B) Different size pulleys

Note: The Ogura clutch is normally identified by the pulley, which is machined versus stamped. The clutch also has the name stamped

All listed parts must be checked for availability

SUNDSTRAND BREAKDOWN



All listed parts must be checked for availability

12-5 (1)

SUNDSTRAND PARTS LIST

Ref. No.	Part No.	Description	No. Req'd	HT	QS QT	Ref. No.	Part No.	Description	No. Req'd	HT	QS QT
1	1110644	Cap Screw	4	X	X	30	1728255	Bearing.....	1	X	X
2	1728251	Bearing.....	1	X	X	31	1728226	Snap Ring	1	X	X
3	1728201	Motor Housing (1)(2)(3)(4)(5).....	1	X	X	32	1728227	Pump Housing(Nla)	1	X	X
	1728887	Motor Housing (6)	1	X	X	33	1728228	Control Shaft(Nla)	1	X	X
4	1728202	Thrust Plate(Nla).....	2	X	X	34	1728229	Bearing.....	2	X	X
5	1728203	Motor Shaft (1)(2)(3)(4).....	1	X	X	35	1728230	Seal.....	2	X	X
	1728885	Motor Shaft (5)(6).....	1	X	X	36	1728231	Washer(Nla).....	2	X	X
6	1728204	Cylinder Block Assy.....	2	X	X	37	1728225	Retaining Ring	2	X	X
7	1728205	Check Valve Cap	2	X	X	38	1728232	Trunnion Shaft(Nla).....	1	X	X
8	1728252	"O" Ring	4	X	X	39	1728233	Hex Plug (Implement)	1	X	X
9	1728206	Spring.....	2	X	X	40	1728886	Snap Ring (6)(Nla)	1	X	X
10	1728207	Ball	2	X	X	41	1728234	Shim Pack.....	AR	X	X
11	1728208	Pipe Plugs(Nla).....	4	X	X	42	1728235	Charge Relief Valve Spring....	1	X	X
12	1728209	Gaskets.....	2	X	X	43	1728236	Poppet Valve (Charge).....	1	X	X
13	1177388	"O" Ring	1	X	X	44	1728237	Poppet Valve (Implement)(Nla)1	1	X	X
14	1728210	Back Up Ring.....	1	X	X	45	1728238	Hex Plug(Nla)	1	X	X
15	1728211	Free Wheeling Valve.....	1	X	X	46	1728239	Filter Union.....	1	X	X
16	1728212	Motor Valve Plate.....	1	X	X	47	1728240	Implement Relief Valve Spring.1	1	X	X
17	1728213	Pin.....	2	X	X	48	1728241	"O" Ring	1	X	X
18	1728253	Bearing (For #1728221 Only)(Nla)	2	X		49	1728242	Drive Pin(Nla)	1	X	X
19	1728214	"O" Ring	2	X	X	50	1728243	Charge Pump (Geroter)	1	X	X
20	1728215	Acceleration Valve Spring.....	2	X	X	51*	1728244	Ball Bearing (4)(5)(6)(Nla)	1	X	X
21	1728216	Acceleration Valve Assy.	2	X	X		1728250	Needle Bearing (4)(5)(6)(Nla)	1	X	X
22	1185773	"O" Ring	2	X	X	52*	1728245	Charge Pump Housing (1)(2)(3)	1	X	X
23	1728217	Hex Plug	2	X	X		1728246	Charge Pump Housing (4)(5)(6).	1	X	X
24	1728218	Center Section(Nla)	1	X	X	53	1728247	Seal (1)(2)(3).....	1	X	X
25	1728219	Pump Valve Plate R.H.	1	X			1728248	Seal (4)(5)(6).....	1	X	X
	1728220	Pump Valve Plate L.H.	1		X	54	1728249	Identification Tag(Nla)	1	(A)	(B)
26*	1728221	Pump Shaft, (1)(2)(3)(Nla).....	1	X		55	1100808	Cap Screw	4	X	X
		Pump Shaft, (1)(2)	1		X	56	1728888	Hex Plug (Charge)	1	X	X
	1728222	Pump Shaft, (4)(5)(6)(Nla).....	1	X							
		Pump Shaft (3)(4)(5)(6).....	1		X						
27	1728223	Roll Pins.....	3	X	X						
28	1728224	Pump Swash Plate.....	1	X	X						
29	1728254	Snap Ring(Nla)	1	X	X						

A - "HT" Series

- 1 - Sundstrand Type 90-1118-01 (Bolens No.1724349)(Nla)
- 2 - Sundstrand Type 90-1118-02 (Bolens No. 1724249)(Nla)
- 3 - Sundstrand Type 90-1118-03 (Bolens No.1724349)(Nla)
- 4 - Sundstrand Type 90-1118-04 (Bolens No.1724349)(Nla)
- 5 - Sundstrand Type 90-1148 (Bolens No.1727789)(Nla)
- 6 - Sundstrand Type 90-1153 (Bolens No.1727789)(Nla)

B - "Q" Series

- 1 - Sundstrand Type 90-1121-01 (Bolens No. 1724348)(Nla)
- 2 - Sundstrand Type 90-1121-02 (Bolens No. 1724248)(Nla)
- 3 - Sundstrand Type 90-1121-03 (Bolens No. 1724348)(Nla)
- 4 - Sundstrand Type 90-1121-04 (Bolens No. 1724348)(Nla)
- 5 - Sundstrand Type 90-1149 (Bolens No. 1727788)(Nla)
- 6 - Sundstrand Type 90-1154 (Bolens No. 1729134)(Nla)

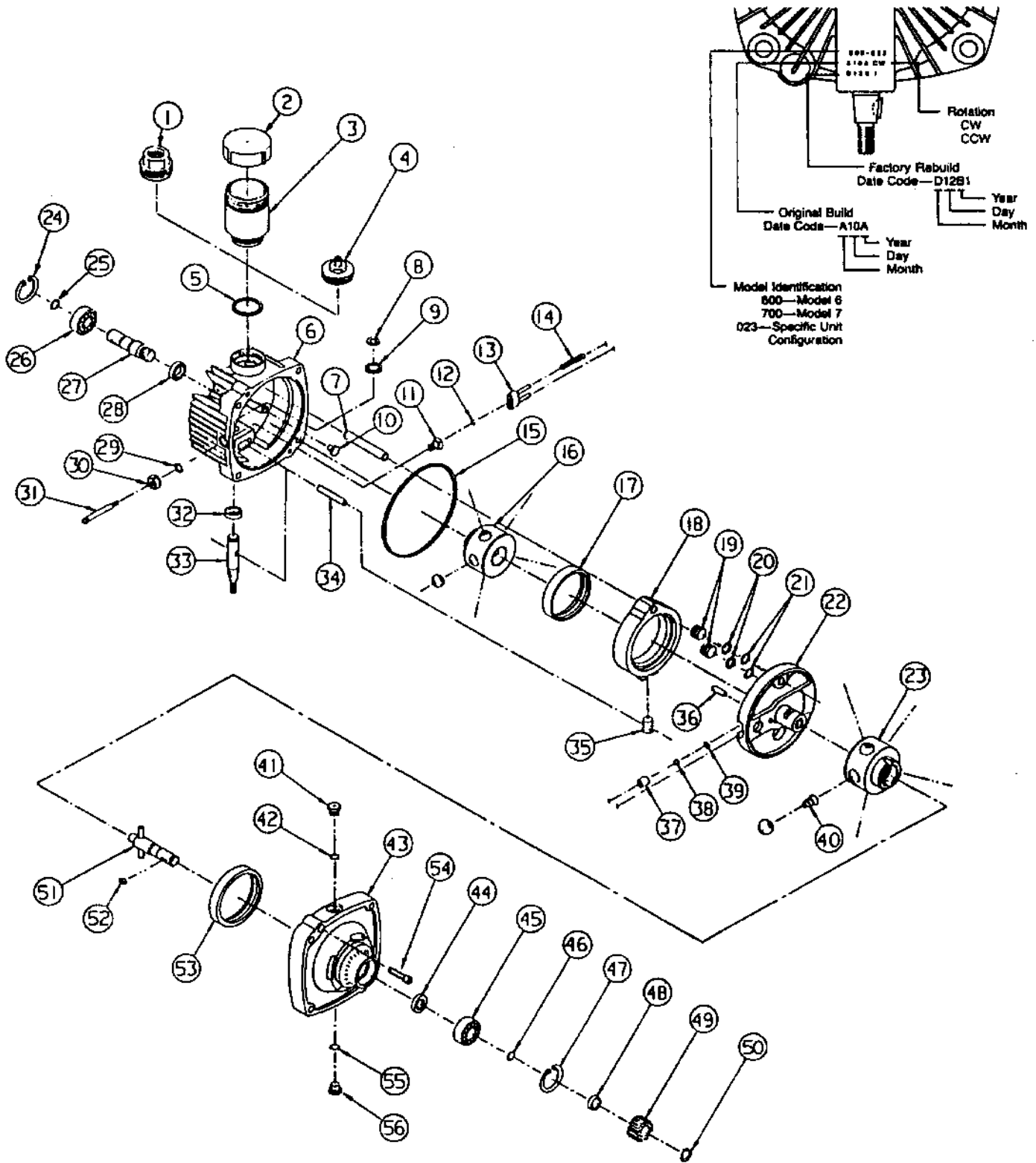
**NOTE: ALWAYS REFER TO IDENTIFICATION TAG (REF. NO 54)
TO OBTAIN SUNDSTRAND MODEL AND TYPE NUMBER.
TYPE NUMBER PRECEDES SERIAL NUMBER**

*No longer available - must be replaced by one or each of the following parts: 1728222(Nla), Pump Shaft; 1728250(Nla), Needle Bearing; 1728246, Charge Pump Housing, 1728248, Seal & 1765728 Bearing.

Nla - No longer available

All listed parts must be checked for availability

EATON MODEL 7 BREAKDOWN



All listed parts must be checked for availability

12-5 (3)

**EATON MODEL 7 PARTS LIST
SUBURBAN TRACTOR**

Ref. No.	Part No.	Description	No. Req'd	Ref. No.	Part No.	Description	No. Req'd
	1741994	Hydro Assy.....	1	*29	1756288	O-Ring	1
1		Reservoir Adapter(Nla).....	1	*30	1760861	Nut-Gasket Subassembly	1
2	1756280	Reservoir Cover Subassy.....	1	31	1760862	Dump Valve Shaft	1
3	1756281	Reservoir Body.....	1	*32	1724382	Oil Seal	1
4		Reservoir Adapter(Nla).....	1	33	1760863	Control Shaft Kit.....	1
5	1756282	Square Cut Seal Ring.....	1	34	1760864	Dowel(Nla).....	1
6	1756294	Cover Service Kit (Incl. Ref. 7, 8, 9, 28, 32, 33 & 34)(Nla)....	1	35	1760865	Cam Ring Insert.....	1
7	1756295	Pivot Pin Dowel(Nla).....	1	36	1760866	Coil Pin	1
8	1756996	External Retaining Ring(Nla)....	1	37	1760867	Check Valve Body.....	2
9	1756297	Control Shaft Washer.....	1	38	1760858	Grade 200 Ball (5/16 Dia.) ...	2
10	1756298	Button(Nla).....	1	39	1760869	Retaining Ring	2
11	1756299	O-Ring Fitting Guide Sub-assy(Nla).	1	40	1760870	Piston Spring	5
12	1760850	O-Ring.....	1	41	1760871	O-Ring Plug Sub-assy. (Inc. Ref. 42)	1
13	1760851	Bracket Pins Subassy.....	1	*42	1760872	Tube Fitting O-Ring.....	1
14	1760852	Valve Spring(Nla).....	2	43	1760873	Body.....	1
15	1756283	Square Cut Seal Ring.....	1	*44	1724981	Oil Seal(Nla)	1
16	1760853	Pump Rotor-Ball Subassy(Nla).	1	45	1756286	Ball Bearing (Output)(Nla) ...	1
17	1760854	Pump Race.....	1	46	1760874	Snap Ring(Nla)	1
18	1760855	Cam Ring.....	1	47	1756284	Retaining Ring	1
19	1760856	Piston.....	2	48	1756291	Spacer	1
20	1760857	Back-Up Ring.....	2	49	1756292	Drive Gear(Nla)	1
21	1760858	O-Ring.....	2	50	1756293	External Retaining Ring	1
22	1760859	Pintle Subassy. (Incl. Ref. 19, 20, 21, 36, 37, 38 & 39).....	1	51	1756290	Output Shaft Subassy.....	1
23	1760860	Motor Rotor-Ball Subassy(Nla).	1	52	1756289	Woodruff Key #3	1
24	1756284	Retaining Ring.....	1	53	1760875	Motor Race	1
25	1756285	Snap Ring.....	1	54	1760876	Socket Head Capscrew	1
26	1756286	Ball Bearing (Input)(Nla).....	1	*55	1760872	Tube Fitting O-Ring.....	1
27	1756287	Input Shaft.....	1	56	1760871	O-Ring Plug Subassy	1
*28	1724381	Oil Seal.....	1	N/I	1760877	Overhaul Sealing Kit.....	1
						(Contains parts indicated by *)	

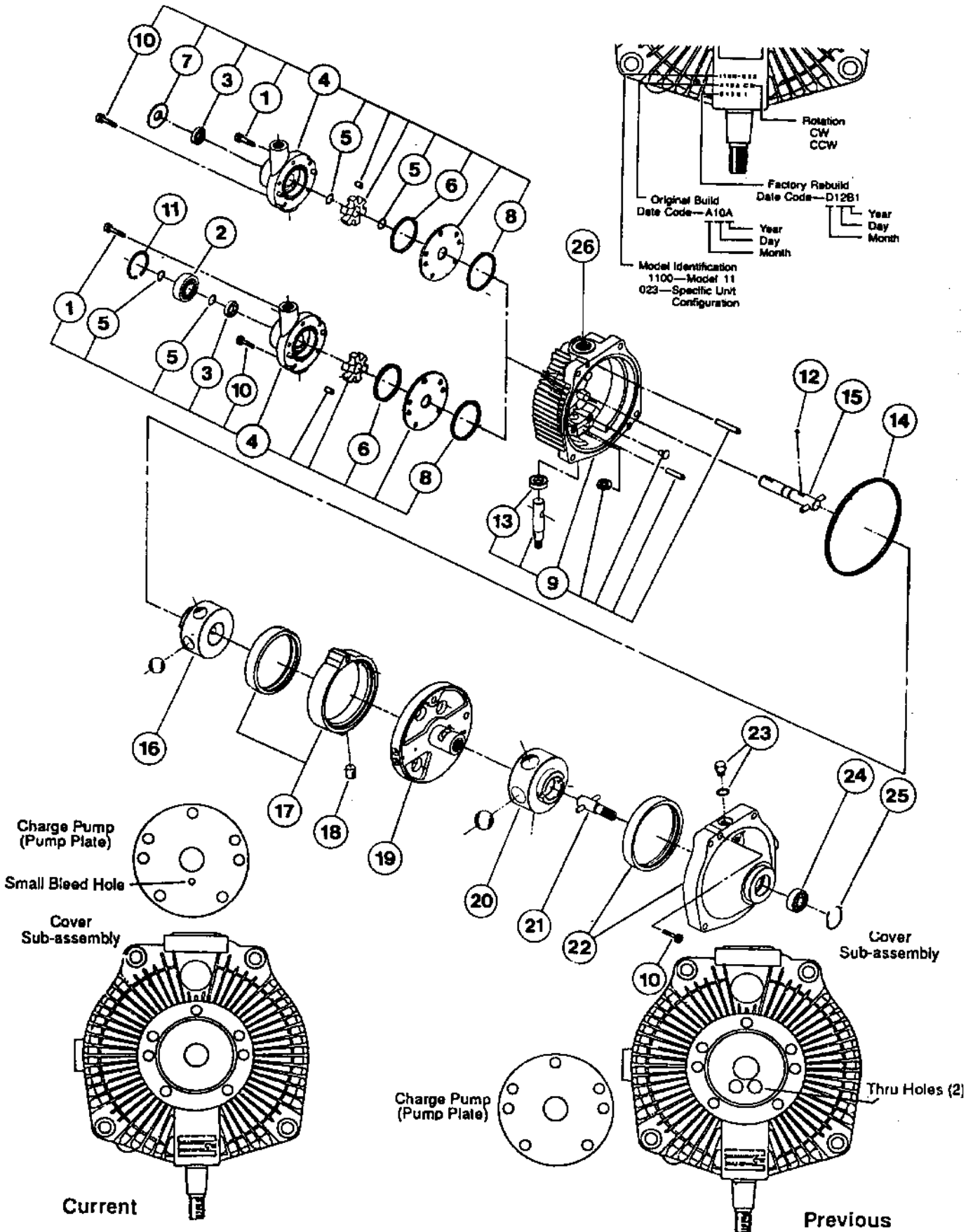
NOTE: Check for availability. N/I - Not Illustrated

Nla - No longer available

All listed parts must be checked for availability

12-5 (4)

EATON MODEL 11 BREAKDOWN



EATON MODEL 11 PARTS LIST

Ref. No.	Part No.	Description	No. Req'd	5100	13060	Med	QT-05	HT
				5000 Series	13061 13062 13063	Frame Series	thru 10	Series
	1745147	Hydro Assy	1	X				
	1729274	Hydro Assy., use 1745147	1			(A)		
	1732194	Hydro Assy(NIa)	1		X		X	
	1736048	Hydro Assy.(NIa).....	1					X
	1743861	Hydro Assy. use 1745147.....	1			(B)		
1	Buy Local	Socket Hd. Cap Screw 5/16-18x1-3/4 (Included with Ref. 4).....	1	X	X	X	X	X
2	1744151	Ball Bearing (Input)(NIa).....	1		X		X	X
3	1724376	Oil Seal	1	X		X		
	1724381	Oil Seal	1		X		X	X
4	1744188	Charge Pump Kit (Includes Ref. 1, 3, 5, 6, 7, 8, 10 & 12)	1	X		X		
	1744189	Charge Pump Kit (Includes Ref. 1, 3, 5, 6, 7, 8, 10 & 12)	1		X		X	
	1744190	Charge Pump Kit (Includes Ref. 1, 3, 5, 6, 7, 8,10 &12)	1					X
5	1724375	Snap Ring (Included with Ref. 4).....	1	X	X	X	X	X
6	1744155	Sq. Seal Ring (Included with Ref. 4).....	1	X	X	X	X	X
7	1724377	Grass Shield (Included with Ref. 4).....	1	X	X			
8	1744157	Sq. Seal Ring (Included with Ref. 4).....	1	X	X	X	X	X
9	1744154	Cover Sub Assy.	1	X	X	X	X	X
10	Buy Local	Socket Hd. Cap Screw 5/16-18x1-1/4 (Included with Ref. 4).....	6	X	X	X	X	X
11	1744171	Retaining Ring	1		X		X	X
12	1744159	Drive Pin (Included with Ref. 4).....	1	X	X	X	X	X
13	1724376	Oil Seal	1	X	X	X	X	X
14	1744185	Square Seal Ring	1	X	X	X	X	X
15	1744011	Input Shaft Sub Assy. (Splined)	1			X		
	1744160	Input Shaft Sub Assy. (Keyed).....	1	X		(C)		
	1744162	Input Shaft Sub Assy. (Keyed).....	1		X		X	X
16	1744164	Pump Rotor & Ball Assy.....	1	X	X	X	X	X
17	1744184	Cam Ring Assy.	1	X	X	X	X	X
18	1744176	Cam Ring Insert.....	1	X	X	X	X	X
19	1744166	Pintle Assy. (Includes internal parts).....	1	X	X	X	X	
	1744167	Pintle Assy. (Includes internal parts).....	1					X
20	1744177	Motor Rotor & Ball Sub Assy.	1	X	X	X	X	X
21	1744010	Output Shaft Sub Assy.....	1	X	X	X	X	X
22	1744180	Body Assy. (Includes Ref. 21, 24, 25).....	1	X	X	X	X	X
23	1744179	O-Ring Plug Sub Assy.	1	X	X	X	X	X
24	1104440	Ball Bearing (Output).....	1	X	X	X	X	X
25	1724380	Retaining Ring	1	X	X	X	X	X
26	(97501)	Plug Fitting(NIa).....	1					
	Eaton							

A - XT Model - Order 1745147. Replace Input Shaft with 1744011 (Splined).

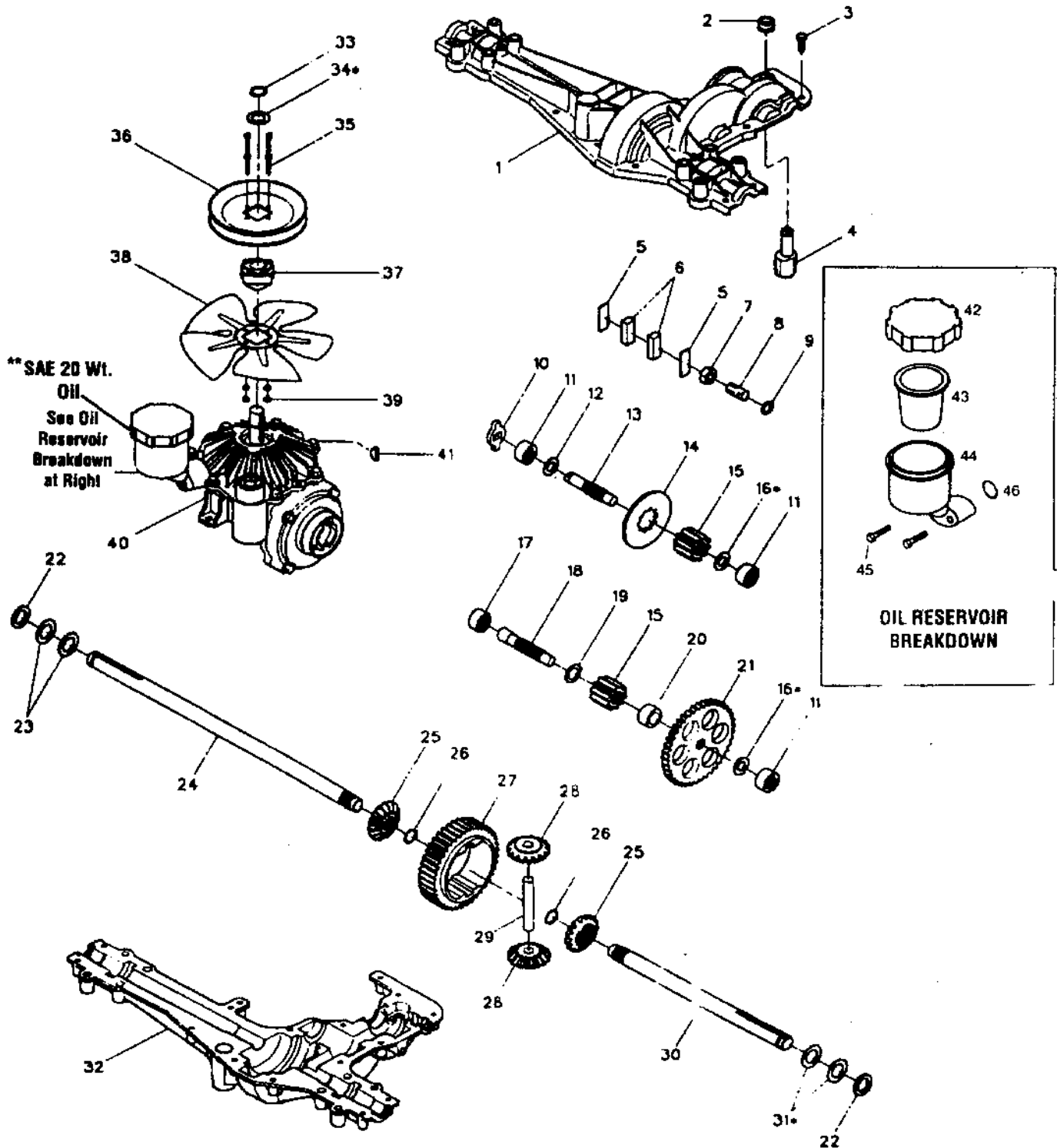
B - All Models, Except XT - Order 1745147 (Keyed Input Shaft) Early units may require Hub 1742662(NIa), Key 1185885, Roll Pin 1185409 and two Set Screws 1737419.

C - Replaces splined shaft (except XT). If required, order Hub 1742662(NIa), Key 1185885, Roll Pin 1185409, and two Set Screws 1737419.

NIa - No longer available

All listed parts must be checked for availability

EATON MODEL 650 BREAKDOWN



All listed parts must be checked for availability

12-5 (7)

EATON MODEL 650 PARTS LIST

Ref #	Part #	Description	Qty.	Ref #	Part #	Description	Qty.
1	1769260	Housing, Upper	1	23	1769282	Washer, Plain, .758 x 1.25 x .031 ...	2
2	1769261	V-Ring.....	1	24	1769283	Axie, L.H.....	1
3	1769262	Screw, Tapping, 1/4-20 x .734	16	25	1769284	Gear, Miter, 15T.....	2
4	1769263	Assy., Shaft & Cam.....	1	26	1769285	Ring, Retaining.....	2
5	1769624	Spacer(Nla)	2	27	1769286	Gear, Spur, 41T	1
6	1769265	Puck, Friction.....	2	28	1769287	Gear, Miter, 15T.....	2
7	1769266	Nut, Locking Jam.....	1	29	1769288	Shaft, Cross.....	1
8	1769267	Stud, Adjustment	1	30	1769289	Axle, T.H.	1
9	1769628	O-Ring	1	31	1769290	Assy., Kit, Shim, .750 Shaft	1*
10	1769269	Key, Drive	1	32	1769291	Housing, Lower	1
11	1769270	Assy., Bearing(Nla).....	3	33	1769292	Ring, Retaining.....	1
12	1769271	Washer, Plain, .505 x .942 x .040 ..	1	34	1769293	Assy., Kit, Shim, .670 Shaft.....	1*
13	1769272	Shaft, Input.....	1	35	1769294	Bolt, Hex Hd., #6-32 x .88	4
14	1769273	Disc, Brake	1	36	1769295	Pulley, 4.50 Dia.....	1
15	1769274	Gear, Spur, 10T	2	37	1769296	Hub.....	1
16	1769275	Assy., Kit, Shim, .500 Shaft(Nla) ..2*		38	1769297	Fan, 7.00 Dia.....	1
17	1769276	Assy., Bearing.....	1	39	1769298	Nut, Lock, #6-32	4
18	1769277	Shaft, Idler	1	40	1769299	Hst, CW Control Rotation	1
19	1769278	Washer, Plain, .632 x 1.00 x .041 ..	1	41	1769300	Key, Woodruff, #61	1
20	1769279	Spacer, .630 x 1.00 x .549.....	1	42	1770921	Cap(Nla).....	1
21	1769280	Gear, Spur, 41T	1	43	1770922	Diaphragm.....	1
22	1769281	Washer, Neoprene.....	2	44	1770924	Reservoir	1
				45	1186312	Flange Screw, 1/4-20 x 1.....	2
				46	1770923	O-Ring(Nla)	1

*Use in various combinations to maintain proper clearances.

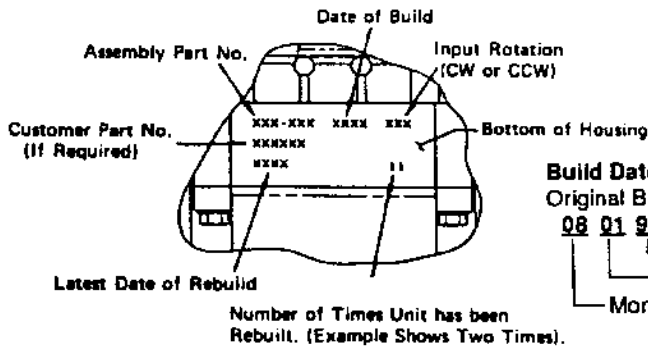
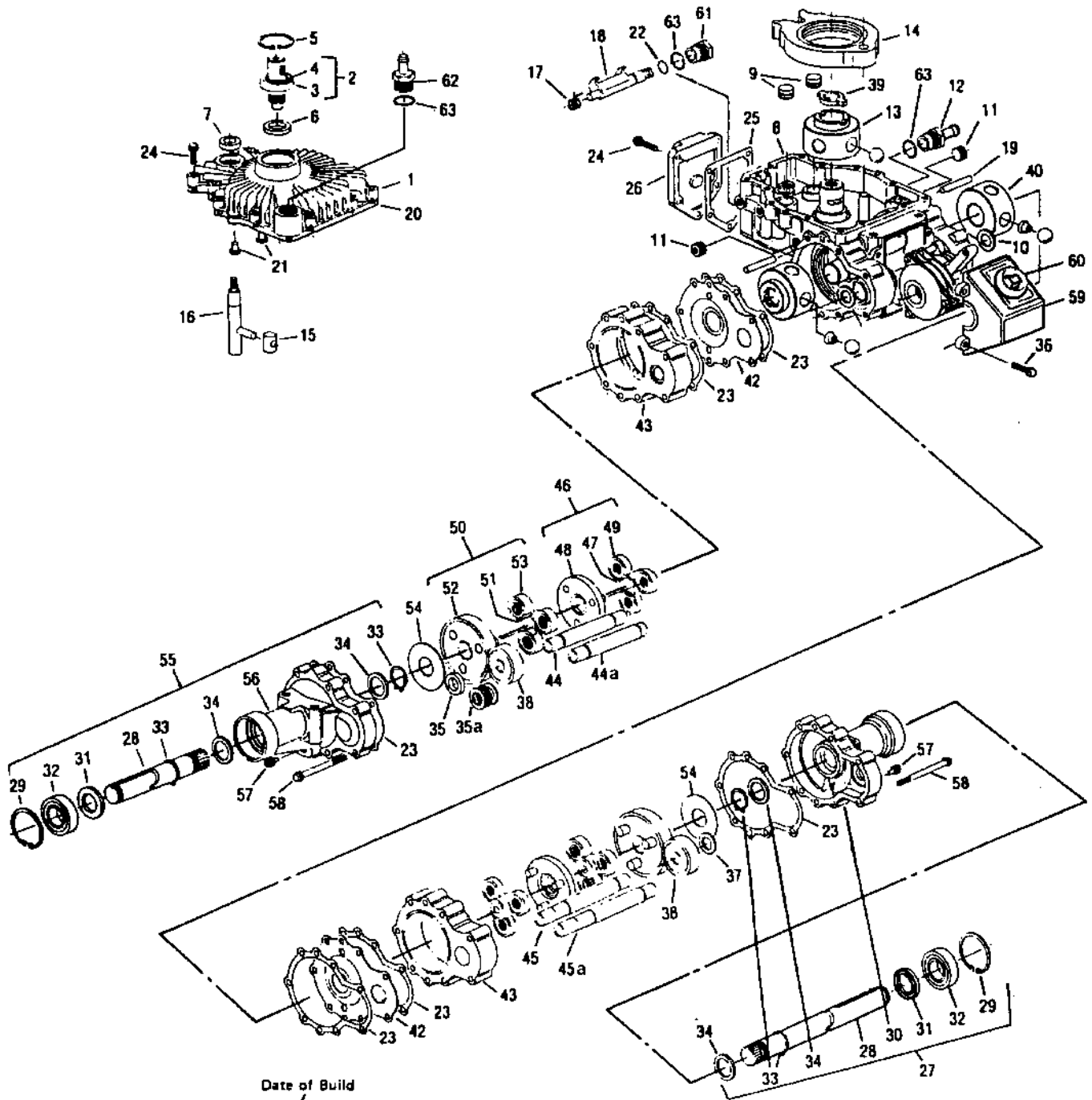
**Add SAE 20 Motor/Hydro oil only. Hydro should not be drained and/or disassembled.

Nla - No longer available

All listed parts must be checked for availability

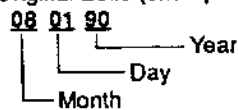
12-5 (8)

EATON MODEL 750 BREAKDOWN

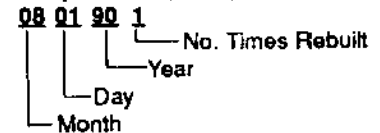


Build Date Code Effective August 1, 1990

Original Build (example - 080190)



Factory Rebuild (example - 0801901)



All listed parts must be checked for availability

**EATON MODEL 750 PARTS LIST
SUBURBAN TRACTORS**

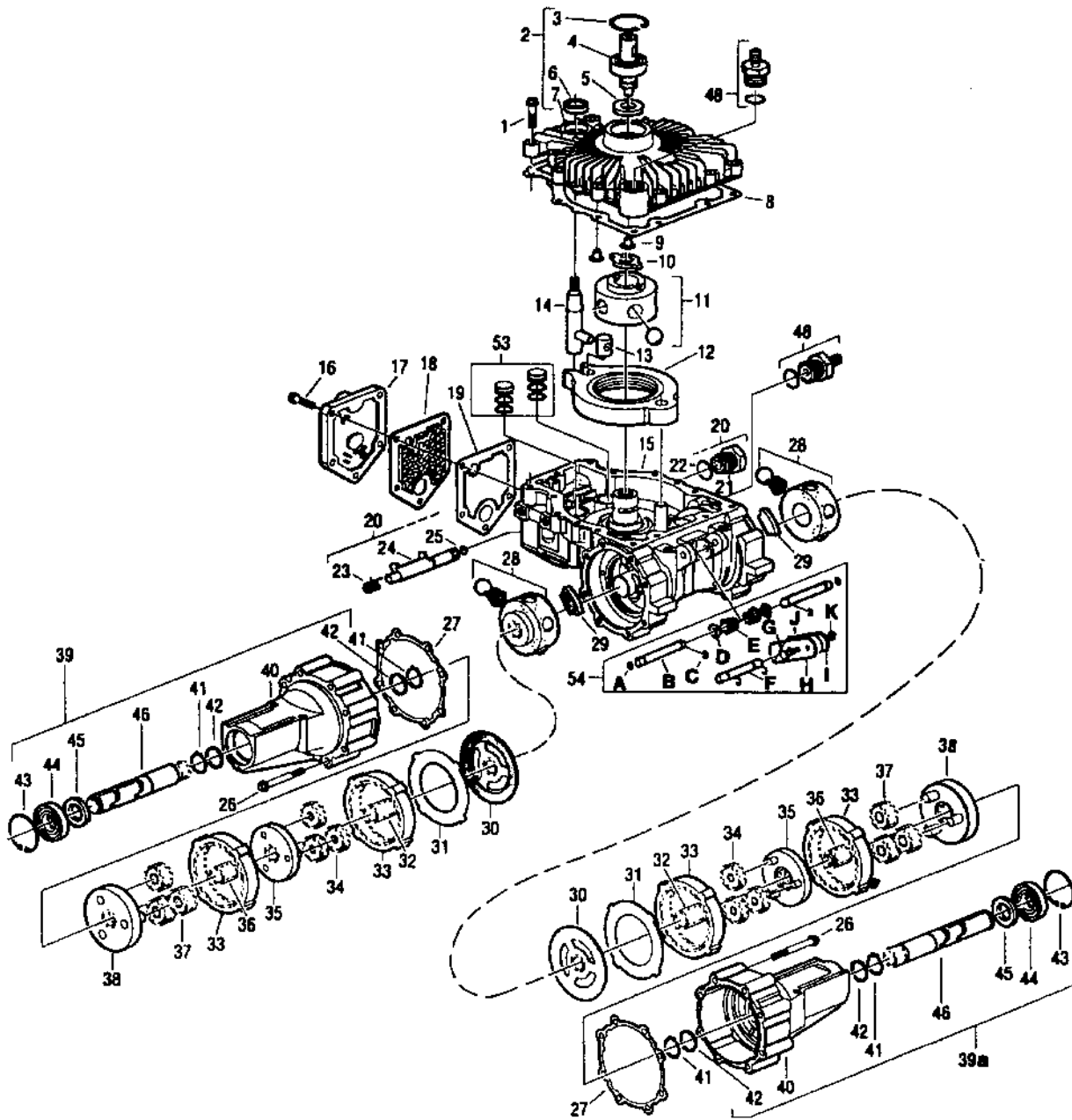
Ref. No.	Part No.	Description	No. Req'd	Ref. No.	Part No.	Description	No. Req'd
	1756053	Hydro Assy. (1).....	1	35	1757703	Spacer.....	1
	1760368	Hydro Assy. (2).....	1	35a	1757704	Washer, Thrust.....	2
1	1757676	Cover, Subassy. (1).....	1	35a	1757705	Bearing, Thrust.....	1
	1761982	Cover, Subassy. (1).....	1	36	1757706	Screw, 1/4-20 Self Tap.....	4
2	1757667	Shaft Assy., Input, (1)(Nla)...	1	37	1757707	Spacer(Nla).....	1
	1761983	Shaft, Input, (2).....	1	38	1757708	Brake Gear.....	2
3	(Nla)	Bearing, Input Shaft (1).....	1	39	1757709	Drive.....	1
	(Nla)	Bearing, Input Shaft (2).....	1	40	1757710	Motor Rotor-Ball 18T.....	2
4	(Nla)	Ring, Retaining, External (1)..	1	41	1757713	Differential Lock/Parking(Nla)	
	(Nla)	Ring, Retaining, External (2)..	1			Brake Assembly.....	1
5	1757372	Ring, Retaining, Internal.....	1	42	1757714	Plate, Wear.....	2
6	1757373	Seal, Input Shaft (1).....	1	43	1757715	Ring Gear, 54T.....	2
	1761984	Seal, Input Shaft (2).....	1	44	1757716	Brake Shaft - A.....	1
7	1757374	Seal, Control Shaft.....	1	44a	1757717	Brake Shaft - B.....	1
8	1757680	Housing.....	1	45	1757718	Brake Shaft - B.....	1
9	1757681	Piston, Dampening.....	2	45a	1757719	Brake Shaft - B.....	1
10	1757682	Seal, Brake Shaft.....	2	46	1757720	Planetary Gear, First.....	2
11	1757683	Plug, Socket Pipe.....	2	47	1757721	Sun Gear, First, 18T(Nla).....	2
12	1757684	Adapter, Reservoir, 3/8		48	1757722	Primary Carrier, 18T(Nla).....	2
		I.D. Tube.....	1	49	1757723	Planetary Gear, First 18T(Nla)	6
13	1757685	Pump Rotor-Ball.....	1	50	1757724	Planetary Gear, Second.....	2
14	1757686	Cam Spring.....	1	51	175725	Sun Gear, Second, 18T(Nla)	2
15	1757687	Insert.....	1	52	1757726	Secondary Carrier,(Nla).....	2
16	1757688	Control Shaft.....	1	53	1757727	Planetary Gear,	
17	1757375	Spring, Dump Valve.....	1			Second, 18T(Nla).....	6
18	1757376	Bracket, Dump Valve.....	1	54	1757728	Washer, Thrust(Nla).....	2
19	1757689	Dowel.....	4	55	1757729	Axle Housing.....	1
*20	1757690	Gasket, Cover.....	1	56	1757732	Housing Axle - A.....	1
21	1757691	Button.....	2	57	1757736	Plug, Magnetic.....	2
22	1757377	O-Ring Dump Valve Bracket..	1	58	1757737	Screw, 1/4 - 20	
*23	1757692	Gasket, Axle Housing.....	6			Hex Flange.....	14
24	1757693	Screw, 1/4 - 20 Hex Flange..	18	59	1757738	Cover.....	1
*25	1757378	Gasket, Valve Cover.....	1	60	1757739	Boot, Dust(Nla).....	1
26	1757694	Cover, Valve.....	1	61	1757740	Nut, Dump Valve.....	1
27	1757695	Axle Housing.....	1	62	1757741	Adapter, Reservoir, 3/8(Nla)	
28	1757696	Shaft, Axle(Nla).....	1			I.D. Tube.....	1
29	1757697	Retaining Ring, International.	1	63	1757381	O-Ring.....	3
30	1757698	Housing, Axle - B.....	1	N/I	1757380	Gasket Overhaul Kit(Nla)	
31	1757699	Seal, Axle Shaft.....	1			(Contains parts indicated by *)	
32	1757700	Bearing, Axle Shaft.....	1				
33	1757701	Retaining Ring, External.....	2				
34	1757702	Washer, Thrust.....	2				

NOTE: Check for availability. N/I - Not Illustrated
 1 - .75 diameter input shaft. (Model 750-009)
 2 - .669 diameter input shaft. (Model 750-024)

Nla - No longer available

All listed parts must be checked for availability

EATON MODEL 751 BREAKDOWN



All listed parts must be checked for availability

12-5 (11)

EATON MODEL 751 PARTS LIST*

Ref. No.	Part No.	Description	No. Req'd	Ref. No.	Part No.	Description	No. Req'd
1		Screw, 1/4-20 Self Tap	13			Gear, Ring 57T.....	4
2		Cover	1	34		18T Planet Gear, First.....	6
3		Ring, Retaining, Internal	1	35		18T Primary Carrier	2
4	1760892	Shaft, Input.....	1	36		18T Sun Gear, Second	2
5	1760893	Seal, Input Shaft	1	37		18T Pint Gear, Second.....	6
6	1757374	Seal, Control Shaft.....	1			Secondary Carrier.....	2
7		Cover	1	39		Axle Housing A-Side	1
8		Gasket, Cover	1	39a		Axle Housing B-Side	1
9		Button.....	2	40		Housing Axle	2
10		Drive.....	1			Ring, Retaining, External	4
11		Pump Rotor/Ball.....	1	42		Thrust Washer.....	4
		Pump Rotor/Ball/Pin.....	1	43		Ring, Retaining, Internal	2
12		Cam Ring	1	44	1757700	Bearing, Ball.....	2
13		Insert	1	45		Seal, Radial Lip.....	2
14		Control Shaft, External Thrd ..	1	46		Shaft, Axle - A-Side	1
15		Housing.....	1			Shaft, Axle - B-Side.....	1
16		Screw, 1/4-20 Hex Flange.....	5	48		375 Str. Fitting/O-Ring	A/R
17		Cover, Valve	1	53		Piston, Dampening.....	2
18	1764020	Filter (Internal).....	1	54		Brake Lever Parts	
19	1764021	Gasket(Nla).....	1			Quad Seal	2
20		Dump Valve Parts	1	B		Rod, Push	2
21		Nut, Dump Valve Fitting	1			E-Ring	4
22		Seal, O-Ring	1	D		Spring Base	2
23		Spring, Dump Valve	1	E		Spring, Conical.....	2
24	1757376	Bracket, Dump Valve	1	F		Shaft, Brake	1
25	1757377	Seal, O-Ring	1	G		Screw, Cap, Hex	1
26		Screw 5/16 Hex Flange.....	16	H		Lever, Brake RH.....	1
27		Gasket Axle Housing.....	2	I		Lever, Brake LH	1
28		18T Motor Rotor/Ball.....	2	J		Shim.....	A/R
29		Pad, Friction.....	2	K		Nut, Hex, Lock	1
30		Plate, Reaction.....	2				
31		Plate, Backup.....	2				
32		18T Sun Gear First	2				
33		Gear, Ring 54T.....	4				

*NOTE: Check for availability.

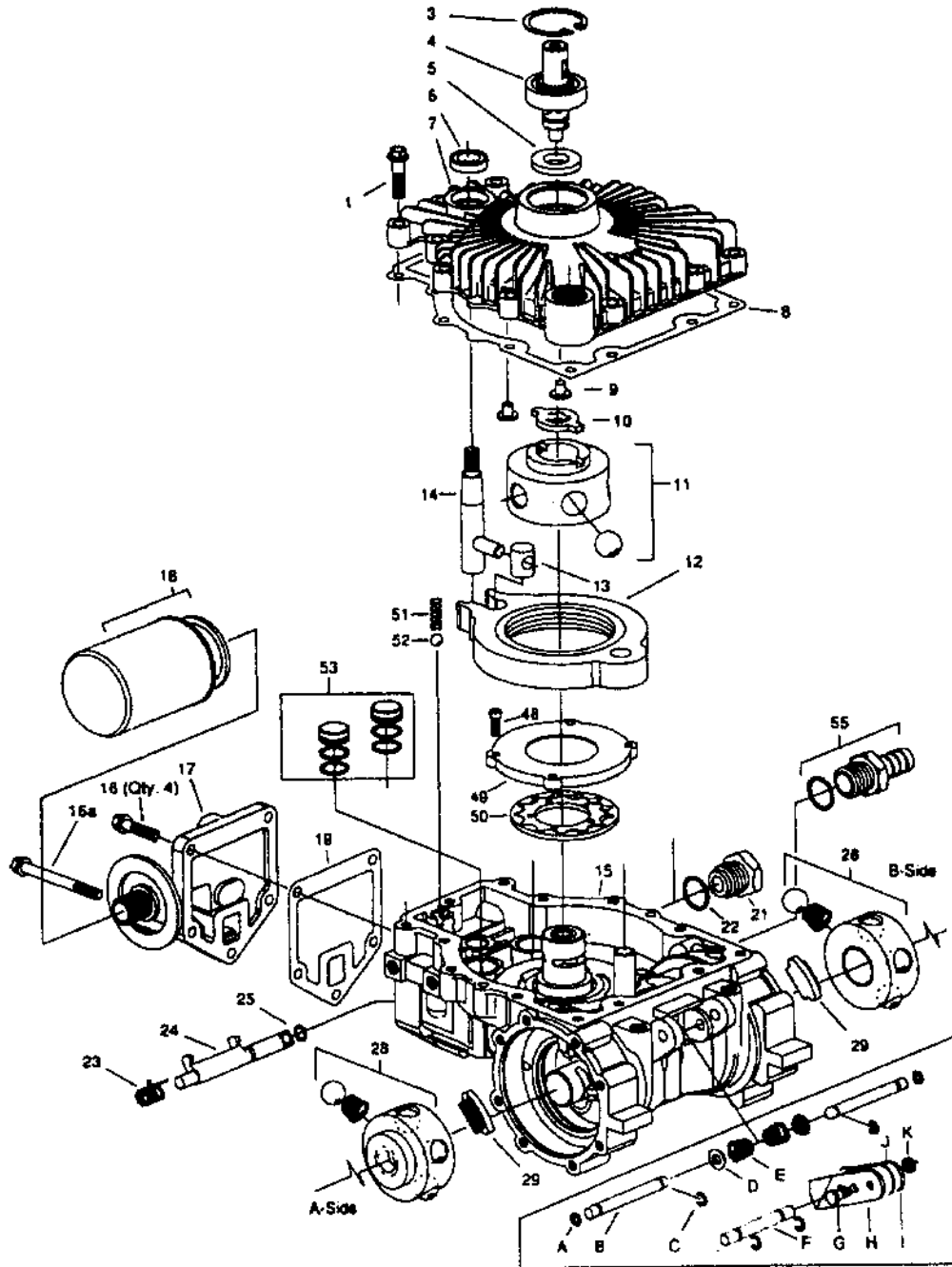
A/R - As Required

Nla - No longer available

**All listed parts must be checked for
availability**

12-5 (12)

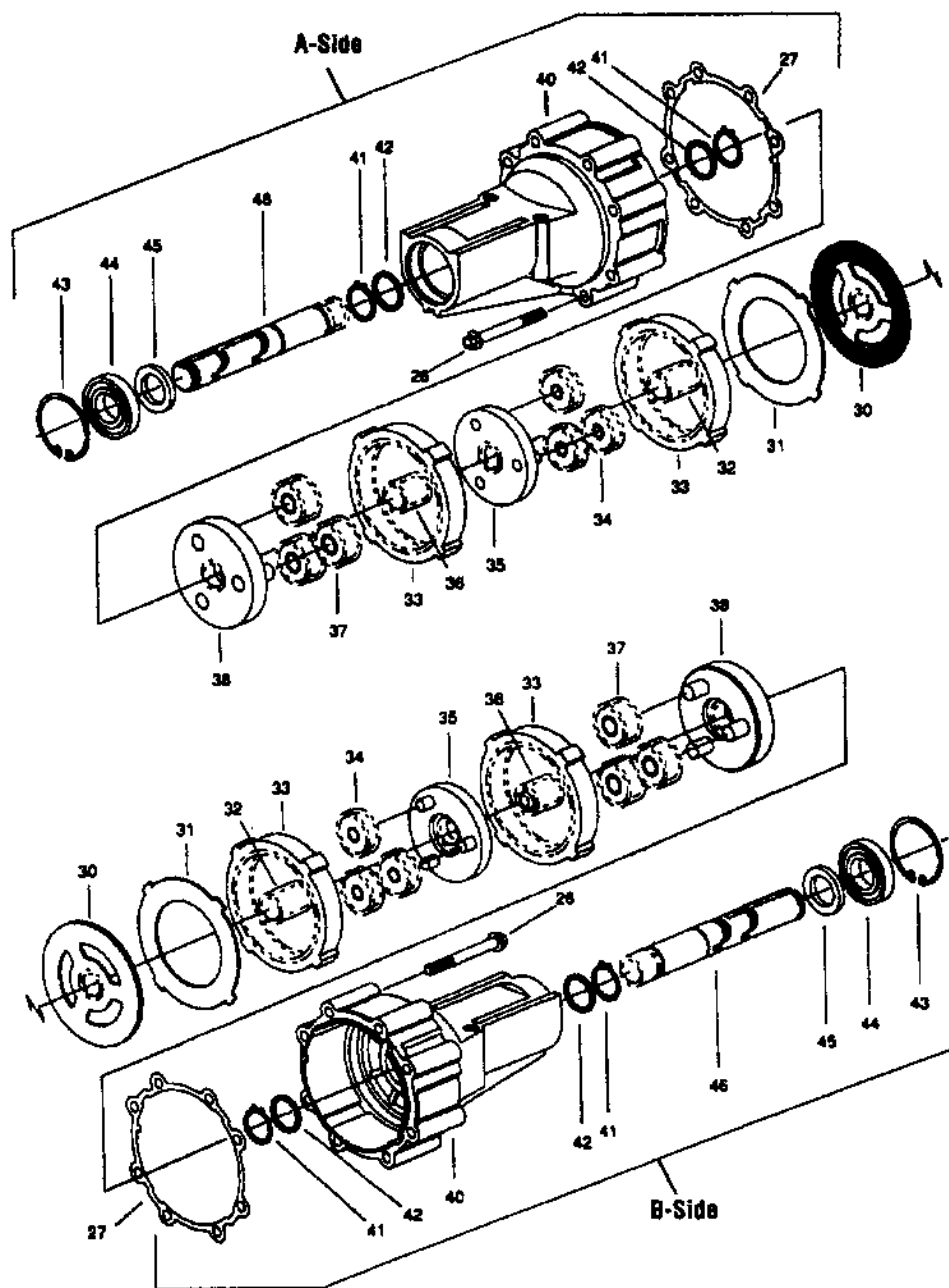
EATON MODEL 851-111 BREAKDOWN & PARTS LIST



Ref #	Part #	Description	Qty.	Ref #	Part #	Description	Qty.
1	1769200	Self Tapping Screw	13	9	1762904	Button(N/a)	2
3	1769201	Ring, Retaining, Int.....	1	10	1769205	Drive	1
4	1760892	Shaft, Input.....	1	11	1769206	Pump Rotor/Ball/Pin.....	1
5	1760893	Seal Input Shaft.....	1	12	1769207	Cam Ring	1
6	1757374	Seal, Control Shaft.....	1	13	1769208	Insert	1
7	1769202	Cover.....	1	14	1769209	Control Shaft, External Thrd...	1
8	1769203	Gasket, Cover	1	15	1769211	Housing	1

All listed parts must be checked for availability

EATON MODEL 851-111 BREAKDOWN & PARTS LIST (CONT'D)



Ref #	Part #	Description	Qty.	Ref #	Part #	Description	Qty.
16	1769212	Screw 1/4-20 Hex Flange.....A/R		26	1769218	Screw, 5/16 Hex Flange	16
16a	1769213	Screw 1/4-20 Hex Flange.....1		27	1769219	Gasket, Axle Housing	2
17	1769214	Filter Base "L"	1	28	1769220	15T Motor Rotor/Ball	2
18	1769125	Filter	1	29	1769221	Pad, Friction	2
19	1769127	Gasket	1	30	1769222	Reaction, Plate	2
21	1769215	Nut, Dump Valve Fitting.....1		31	1769223	Plate, Backup	2
22	1769216	Seal, O-Ring.....1		32	1769224	15T Sun Gear, First	2
23	1769217	Spring, Dump Valve.....1		33	1769225	Gear, Ring 57T	4
24	1757376	Bracket, Dump Valve.....1		34	1769226	21T Planet Gear, First	6
25	1757377	Seal, O-Ring.....1		35	1769227	15T Primary Carrier.....2	2

(Continued on next page)

All listed parts must be checked for availability

12-5 (14)

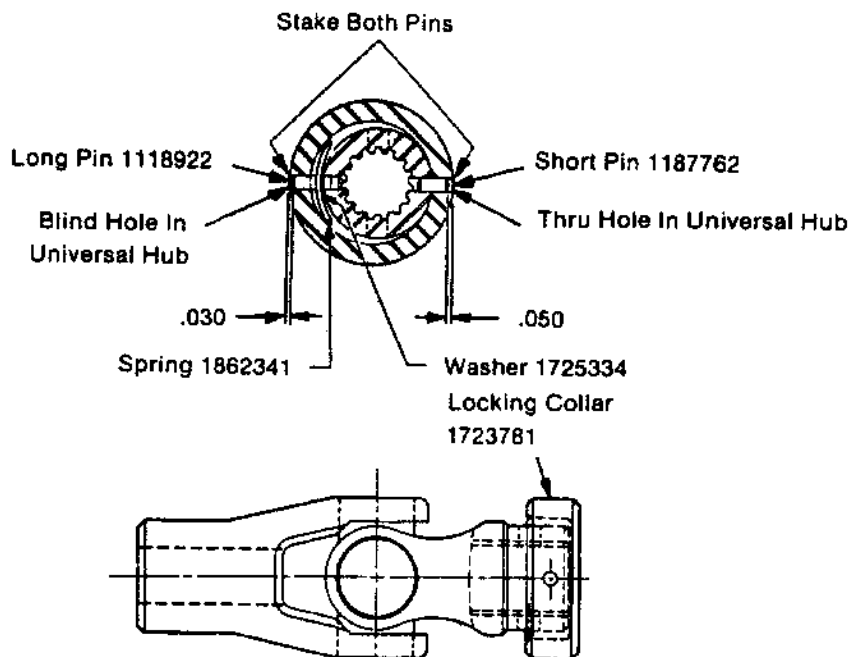
EATON MODEL 851-111 BREAKDOWN & PARTS LIST (CONT'D)

Ref #	Part#	Description	Qty.	Ref #	Part #	Description	Qty.
36	1769228	15T Sun Gear, Second (Steel).....	2	53	1769242	Piston, Dampening	
37	1769229	21T Pint Gear, Second (Steel).....	6	54		Brake Lever Parts	
38	1769230	Secondary Carrier.....	2	A	1769243	Quad Seal.....	2
40	1769231	Axle Housing (S/A) A-Side & B-Side.	1	B	1769244	Rod, Push.....	2
41	1769232	Ring, Retaining, External.....	4	C	1769245	E-Ring.....	4
42	1769233	Thrust Washer.....	4	D	1769246	Sping Base.....	2
43	1769234	Ring, Retaining, Internal.....	2	E	1769247	Spring Conical.....	2
44	1757700	Bearing, Ball.....	2	F	1769248	Shaft, Brake.....	1
45	1769235	Seal, Radial Lip.....	2	G	1769249	Screw, Cap, Hex.....	1
46	1769236	Shaft, Axle - A-Side.....	1	H	1769250	Lever, Brake, L.H.....	1
48	1769237	Screw, Cap Socket.....	4	I	1769251	Lever, Brake, L.H.....	1
49	1769238	Plate, Pump (Class II).....	1	J	1769252	Shim.....	A/R
50	1769239	Gerotor (Class II).....	1	K	1769253	Nut, Hex, Lock.....	1
51	1769240	Spring.....	1	55	1769254	.625 Str. Fitting/O-Ring.....	1
52	1769241	Ball.....	1				

A/R - As Required

All listed parts must be checked for availability

PTO QUICK-LATCH UNIVERSAL LOCKING COLLAR



UNIVERSAL JOINT REPAIR KITS

Identification
On Bearing Cap
 Knurled Edges - .976 Dia.
 USA NB - .9375 Dia.
 Plain - .562 Dia.

Order
Coupling
 172-4400
 172-4579
 N/A

Order
Cross Kit
 172-4401
 1714208
 N/A

TILLER DRIVESHAFTS
GASOLINE TRACTORS
BOLENS & TROY-BILT

PART NO.	LENGTH (INCHES)	TILLER MODEL	WHERE USED
1713549(N/a)	35.625	18609	180 & 181 (600) - Tube Frame Series
1713550(N/a)	38.625	18608	Tube Frame Series
		18609	Tube Frame Series
		18614	Tube Frame Series
		18616	Tube Frame Series
		18618	Tube Frame Series
1718767(N/a)	47.250	18025-01-02	197 (1250), 198 (1455)
1722630(N/a)	47.250	18090 (18091)	198 (1455), 1476, 1477
1722650(N/a)	49.75	18090 (18092)	1886-01 thru -04
(Use 1723964)(N/a)			
1723964*(N/a)	49.75	19230	"Q" Series
1724734*	50.312	18093	1886S-05 & Later, 2086, 2087, 2389, 2389S
1726891*(N/a)	51.187	18315-01	Use w/18309-Early XL's (Medium Frame)
1733911*	54.312	18315-02 & Later	Use w/18309 (Medium Frame Series)
1738560*(N/a)	50.062	18322	Use w/18318 (Medium Frame Series)
(Use 1738559001)			
1744925*	52.72	50333	5000 Series
1755221*	52.87	51333	5100 Series

*Includes Locking Collar

All listed parts must be checked for availability

12-6 (1)

MISCELLANEOUS PART NUMBERS**BOLENS****PAINT**

1734846	Red (Bolens)	13 oz.	Spray
1735221	Beige	13 oz.	Spray
1735222	Black	13 oz.	Spray
1754182	AJ Black	13 oz.	Spray
1735223	White	13 oz.	Spray
1725796	White	1 qt.	
1742379	Light Green	13 oz.	Spray
1736796	Dark Green.....	13 oz.	Spray
1740960	Dark Green (Nla).....	1 qt.	
1759591	W-W Green	13 oz.	Spray
1860985	Diesel Black	13 oz.	Spray
1862177	Diesel White	13 oz.	Spray
1902815	Green (Nla)	13 oz.	Spray

LUBRICANTS

1719650	Hydrostatic Oil (ATF)...	1 Gal.
1738157	Transmission/Hydraulic Oil (Benzoil)	1 Gal.
1768598	20w Oil	1 Gal.

WALK BEHIND MOWERS

1733251	Charger
1903686	Battery Kit
1731454	Exhaust Deflector, Tec. 4 HP
1731455	Exhaust Deflector, Tec. 5 HP
1750527	Exhaust Deflector, B & S 4 HP
1750527	Exhaust Deflector, B & S 3-1/2 HP
1759269	Mulching Mower Grass Bag
1731985	Mulching Mower Leaf Bag (Nla)
1721482	18" Mulching Mower Blade
1738342	20" Mulching Mower Blade (Old Model)
1760020	20" Mulching Mower Blade (Current Dk. Gr. Models)
1893850	22" Mulching Mower Blade (Old Model)
1755990	22" Mulching Mower Blade (Current Dk. Gr. Models)
1731148	22" Mulching Mower High Lift Blade
1751965	Combo Mower High Lift Blade
1752039	BBC Combo Mower High Lift Blade
1743694	Plastic Sleeve for Mulching Mower Rear Bag Kit (Needs 8, 1744355 pins)
1731394	Mulching Mower Curved Weld Pin, 11/32 Dia. x 1-1/2" Lg. w/Hole.
1731396	Mulching Mower Flat Hd. Weld Pin, 3/8 (Nla) Dia. x 1" Lg. w/Hole
1725701	Mulching Mower Flat Hd. Weld Pin, 3/8 Dia. x 5/8" Lg. w/No Hole

RIDING MOWERS

1753096	28" High Lift Blade
1730315	28" Mower/Bagger Plate
1763440	28" Spindle Assy.(Nla)
1750576	30" H.D. Spindle Assy.(Nla)

1758452	Frame Stiffener
1756315	Adjustable Links
1750880	Differential Assy. (Square Type)

TRACTORS & ATTACHMENTS

1748142	Decal Kit-Used on all older tractors. Included are two side hood decals ("Bolens")' one front hood decal, and a mower safety decal.
1726435	G.E. Headlights - Spade Terminal
1185360	Eaton Model 12 Control Shaft O-ring
1724388	Eaton Model 12 Shuttle Valve (Nla)
1746256	Telescoping Driveshaft "Q" Series
1740006	Telescoping Driveshaft "HT" Series (Nla)
1726213	Repair Kit, Hydraulic Valve (X Series Medium Frame Tractors) (2 Req.)
1728080	.015 Shim for HT20 Rear Axle
1738231	Shaft Kit for Right Angle Drive on Gear XL's (Nla)
1737386	2000 PSI Pressure Gauge Kit (Nla)
1740023	Mower Mule Drive Assy. f/Medium Frame Tractor
1744918001	Gearbox Assy. for 5000, 5100 QT Series Mowers
1733655	Gearbox Assy. (without Mounting Bracket) for 38" or 42" Tube Frame Mowers.
(Nla)	Gearbox Assy. for 18538 Snowthrower
1718650	Gearbox Assy. for 18110 & 19212 Mowers (19212 Also requires 1730597 shaft)
1743516	30A Fuse for ST Tractors
1765976	Wheel Weight "J" Bolts
1760225	Dampening Ring (1467,1468 brake)
1726450	Hydro Oil Filter

BATTERIES

1752840	LT, with gas tank in front
1743999	Rear Engine Rider self charging & LT, with gas tank in rear.
1760099	XL, 1700, 1900 & HT
Buy Loc	2289, 2288, HDT 1000 (80 Amp)
1752840	5100, ST Series, Med Frame

OTHER

1735625	Auger Shear Bolts - Walk Behind Snowthrower.
---------	---

Nla - No longer available

MISCELLANEOUS PART NUMBERS
TROY-BILT

PAINT

1900706 Red (f/Powder Paint) 13 oz. Spray
1900924 Black..... 13 oz. Spray
1765811 Gray..... 13 oz. Spray

LUBRICANTS

1719650 Hydrostatic Oil (ATF) 1 Gal.
1738157 Transmission/Hydraulic Oil
(Benzoil) 1 Gal.
1360A SAE 140 Gear Oil GL-4 ... 2 qt.
1901964 SAE 140 Gear Oil GL-4 ... 1 qt.
1768598 20 W Oil..... 1 Gal.

WALK BEHIND MOWERS

1733251 Charger
1755565 Drive Belt
1750527 Exhaust Deflector, B & S 4HP
1750527 Exhaust Deflector, B & S 3-1/2HP
1759269 Mulching Mower Grass Bag
1760020 20" Mulching Mower Blade
1755990 22" Mulching Mower Blade

BRUSHCUTTER

H216336 Monofilament Head, Two-Line, Complete
H212090 Blade, Tri-Kut® 8" (Nla)
H214190 Blade, Brush 9"

WALKING SNOWTHROWERS

1735625 Auger Shear Bolts

SPRAYERS

11402 Battery Charger
1983920 Measuring Cup, 8 oz.
1984101 Inline Strainer, 40 mesh

TRACTORS & ATTACHMENTS

1726213 Repair Kit, Hydraulic Vase
Medium Frame Tractors (2 Req.)
1737386 2000 PSI Pressure Gauge Kit (Nla)
1740023 Mower Mule Drive Assy f/Medium Frame
Tractor
1744918001 Gearbox Assy. for 50048R & 14030
Mowers
1765976 Wheel Weight "J" Bolts

BATTERIES

9092 Tomahawk, Horse
96512 Econo, Pony
9234B Junior
1903686 Mulching Mower
1752840 5000/5100, ST Series, 13000 Series &
Med Frame
1768158 Sprayer

MISCELLANEOUS PRODUCTS

1806 Tiller Bearing/Seal Installation Kit Complete (Nla)
11523 Tamper - Junior Tomahawk (Nla)
11524 Tamper - Tomahawk I, II & III, (Nla)
Super Tomahawk I, II, III, IV & V (Nla)
11525 Tamper - Tomahawk IV & V, (Nla)
Super Tomahawk VI & VII (Nla)
11593 Gloves (Nla)
1917598 Safety Goggles, Soft-Sided, Universal Fit
1763008 Tamper - 47024 & 47026

Nla - No longer available