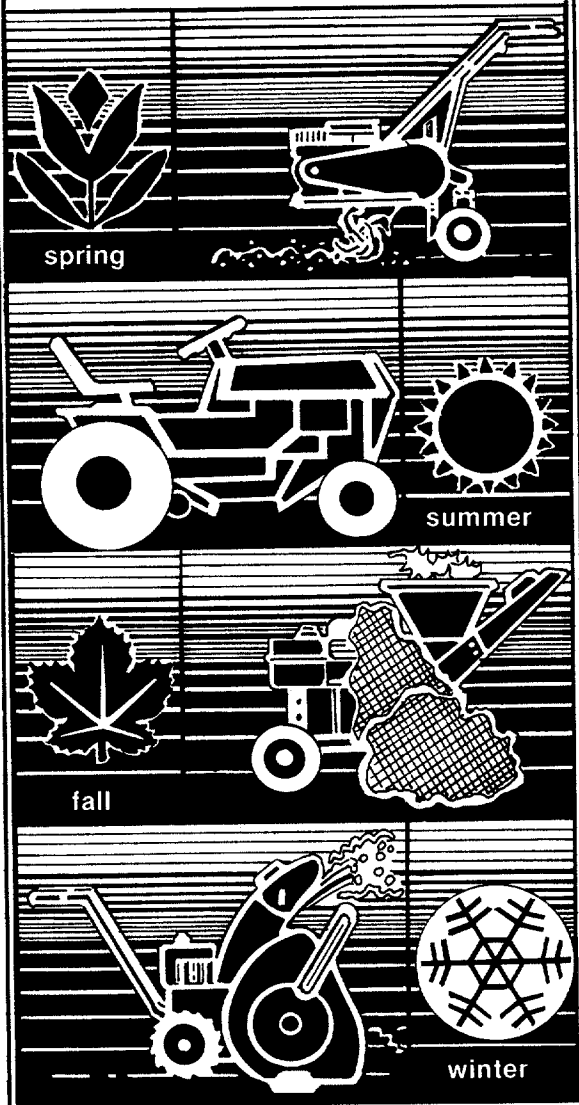


OWNER'S GUIDE

OUTDOOR POWER EQUIPMENT
for all seasons



GARDEN TRACTORS (11, 16 and 18 H.P.)

Model Numbers

- | | |
|-------------|-------------|
| 145-810-000 | 145-811-000 |
| 145-822-000 | 145-823-000 |
| 145-824-000 | 145-825-000 |
| 145-826-000 | 145-827-000 |
| 145-832-000 | 145-833-000 |
| 145-834-000 | 145-835-000 |
| 145-836-000 | 145-837-000 |

Important:
Read Safety Rules and
Instructions Carefully

Thank you for purchasing
an American-built product.

INDEX

Safe Operating Practices	3	Off-Season Storage	15
Assembly	5	Trouble Shooting Chart	16, 17
Controls	8	Illustrated Parts for Tractor	18-29
Operation	9	Illustrated Parts for Transaxle	30, 31
Adjustments	10	Electrical Diagrams and Parts Lists	32, 33
Lubrication	11	Parts Ordering Information	Back Cover
Maintenance	12		



Instructions given with this symbol are for personal safety. Be sure to follow them.

LIMITED WARRANTY

For one year from the date of original retail purchase, MTD PRODUCTS INC will either repair or replace, at its option, free of charge, F.O.B. factory or authorized service firm, any part or parts found to be defective in material or workmanship. Transportation charges for the movement of any power equipment unit or attachment are the responsibility of the purchaser. Transportation charges for any parts submitted for replacement under this warranty must be paid by the purchaser unless such return is requested by MTD PRODUCTS INC.

This warranty will not apply to any part which has become inoperative due to misuse, excessive use, accident, neglect, improper maintenance, alterations, or unless the unit has been operated and maintained in accordance with the instructions furnished. This warranty does not apply to the engine, motor, battery, battery charger or component parts thereof. Please refer to the applicable manufacturer's warranty on these items.

This warranty will not apply where the unit has been used commercially.

Warranty service is available through your local authorized service dealer or distributor. If you do not know the dealer or distributor in your area, please write to the Customer Service Department of MTD.

The return of a complete unit will not be accepted by the factory unless prior written permission has been extended by MTD.

This warranty gives you specific legal rights. You may also have other rights which vary from state to state.



WARNING

This unit is equipped with an internal combustion engine and should not be used on or near any unimproved forest-covered, brush-covered or grass-covered land unless the engine's exhaust system is equipped with a spark arrester meeting applicable local or state laws (if any). If a spark arrester is used, it should be maintained in effective working order by the operator.

In the State of California the above is required by law (Section 4442 of the California Public Resources Code). Other states may have similar laws. Federal laws apply on federal lands. A spark arrester muffler is available at your nearest engine authorized service center.



To reduce the potential for any injury, comply with the following safety instructions. Failure to comply with the instructions may result in personal injury.

SAFE OPERATION PRACTICES FOR RIDING VEHICLES

1. Read this owner's manual carefully in its entirety before attempting to assemble or operate this unit. Keep this manual in a safe place for future and regular reference and for ordering replacement parts.
2. This unit is a precision piece of power equipment, not a plaything. Therefore exercise extreme caution at all times.
3. Know the controls and how to stop quickly—**READ THIS OWNER'S MANUAL.**
4. Do not allow children to operate vehicle. Do not allow adults to operate it without proper instruction. Only persons well acquainted with these rules of safe operation should be allowed to use your mower.
5. No one should operate this unit while intoxicated or while taking medication that impairs the senses or reactions.
6. Wear sturdy, rough-soled work shoes and close-fitting slacks and shirts to avoid entanglement in the moving parts. Never operate a unit in bare feet, sandals, or sneakers.
7. To prevent injury, do not carry passengers or give rides. Keep children, pets and bystanders out of the area while mowing. Only the operator should ride on the unit and only ride in the seat.
8. Check overhead clearance carefully before driving under power lines, guy wires, bridges or low hanging tree branches, before entering or leaving buildings, or in any other situation where the operator may be struck or pulled from the unit, which could result in serious injury.
9. To maintain control of the unit and reduce the possibility of upset or collision, operate the tractor smoothly. Avoid erratic operation and excessive speed.
10. Keep the area of operation clear of all persons, particularly small children and pets. Stop engine when they are in the vicinity of your mower. Although the area of operation should be completely cleared of foreign objects, a small object may have been overlooked and could be accidentally thrown by the mower in any direction and cause injury.
11. Clear work area of objects which might be picked up and thrown by the mower in any direction and cause injury.
12. Stop the blade(s) when crossing gravel drives, walks or roads.
13. Disengage all attachment clutches and shift into neutral before attempting to start engine.
14. Disengage power to attachment(s) and stop engine before leaving operating position.
15. Do not put hands or feet near or under rotating parts. Keep clear of the discharge opening at all times as the rotating blade(s) can cause injury.
16. Disengage power to attachment(s) and stop engine before making any repairs or adjustments. Disconnect the spark plug wire and keep the wire away from the plug to prevent accidental starting.
17. Before attempting to unclog the mower or discharge chute, stop the engine. The mower blade(s) may continue to rotate for a few seconds after the engine is shut off. Therefore, be sure the blade(s) have stopped completely. Disconnect the spark plug wire and keep the wire away from the plug to prevent accidental starting.
18. Disengage power to attachment(s) when transporting or not in use.
19. Take all possible precautions when leaving vehicle unattended such as disengaging power-take-off, lowering attachments, shifting into neutral, setting parking brake, stopping engine and removing key.
20. Do not stop or start suddenly when going uphill or downhill. Mow up and down face of steep slopes; never across the face. Use extreme caution if it is necessary to drive the tractor up an incline or back the tractor down an incline because the front of the tractor could lift and rapidly flip over backward which could cause serious injury.
21. Reduce speed on slopes and in sharp turns to prevent tipping or loss of control. Always keep the tractor in gear when going down steep hills to take advantage of engine braking action.
22. Stay alert for holes in terrain and other hidden hazards.
23. Use care when pulling loads or using heavy equipment.
 - A. Use only approved drawbar hitch points.
 - B. Limit loads to those you can safely control.
 - C. Do not turn sharply. Use care when backing.
 - D. Use counterweight(s) or wheel weights when suggested in owner's manual.
24. Watch out for traffic when crossing or near roadways.
25. When using any attachments, never direct discharge of material toward bystanders nor allow anyone near vehicle while in operation.
26. Handle gasoline with care. It is highly flammable.
 - A. Use approved gasoline container.
 - B. Never remove cap or add gasoline to a running or hot engine or fill fuel tank indoors. Wipe up spilled gasoline.
 - C. Open doors if engine is run in garage. Exhaust fumes are dangerous. Do not run engine indoors.

27. Keep the vehicle and attachments in good operating condition, and keep safety devices in place. Use guards as instructed in operator's manual.
28. Keep all nuts, bolts, and screws tight to be sure the equipment is in safe working condition.
29. Never store the equipment with gasoline in the tank inside a building where fumes may reach an open flame or spark. Allow engine to cool before storing in any enclosure.
30. To reduce fire hazard, keep engine free of grass, leaves or excessive grease.
31. The vehicle and attachments should be stopped and inspected for damage after striking a foreign object. The damage should be repaired before restarting and operating the equipment.
32. Do not change the engine governor settings or overspeed the engine.
33. When using the vehicle with mower, proceed as follows:
 - (1) Mow only in daylight or in good artificial light.
 - (2) Never make a cutting height adjustment while engine is running if operator must dismount to do so.
 - (3) Shut the engine off and wait until the blade comes to a complete stop before removing the grass catcher.
 - (4) Check blade mounting bolts for proper tightness at frequent intervals.
34. Check grass catcher bags frequently for wear or deterioration. For safety protection, replace only with new bag meeting original equipment specifications.
35. Look behind to make sure the area is clear before placing the transmission in reverse and continue looking behind while backing up. Disengage blades before shifting into reverse and backing up.
36. This unit should not be driven up a ramp onto a trailer or truck under power, because the unit could tip over, causing serious personal injury. The unit must be pushed manually to load properly.

ASSEMBLY



NOTE

This unit is shipped WITHOUT GASOLINE or OIL. After assembly, see separate engine manual for proper fuel and engine oil recommendations.

This owner's manual covers various models of garden tractors. The units illustrated may vary slightly from your unit. Follow the instructions which pertain to your unit.

BATTERY INFORMATION



- A. Battery acid must be handled with great care as contact with it can burn and blister the skin. It is also advisable to wear protective clothing (goggles, rubber gloves and apron) when working with it.*
- B. Should battery acid accidentally splatter into the eyes or onto the face, rinse the affected area immediately with clean cold water. If there is any further discomfort, seek prompt medical attention.
- C. If acid spills on clothing, first dilute it with clean water, then neutralize with a solution of ammonia/water or baking soda/water.
- D. Since battery acid is corrosive, do not pour it into any sink or drain. Before discarding empty electrolyte containers, rinse them with a neutralizing solution.
- E. NEVER connect or disconnect charger clips to battery while charger is turned on as it can cause sparks.
- F. Keep all lighted materials (cigarettes, matches, lighters) away from the battery as the hydrogen gas generated during charging can be combustible.
- G. As a further precaution, only charge the battery in a well-ventilated area.

***Always shield eyes, protect skin and clothing when working near batteries.**



Battery contains sulfuric acid. Antidote: EXTERNAL—Flush with water. INTERNAL—Drink large quantities of water or milk. Follow with milk of

magnesia, beaten egg or vegetable oil. Seek prompt medical attention. EYES: Flush with cool water for at least 15 minutes, then seek immediate medical attention.

Since batteries produce explosive gases, keep all lighted materials (cigarettes, lighters, matches, etc.) away. Be sure to charge battery only in well-ventilated areas.

KEEP BATTERIES OUT OF THE REACH OF CHILDREN.

ACTIVATING THE BATTERY

1. Place the battery to be filled on a workbench. Never activate a battery in the unit.
2. Slip one end of battery drain tube on the battery manifold.
3. Remove the fill caps from all cells.
4. Fill each cell carefully using 1.265 specific gravity electrolyte. Fill each cell to the top of the separators. Do not overfill.
5. Let the battery sit for 20 minutes to allow the chemical reaction to take place.
6. Charge the battery at a MAXIMUM RATE OF 5 AMPS. until the specific gravity reads 1.265. Use a hydrometer to check the specific gravity.



NOTE

An excessive rate of charge will damage the battery.

7. Check the level of electrolyte. Adjust level to bottom of split ring if necessary with electrolyte.
8. Replace fill caps.



NOTE

After battery has been in service, add only distilled water, or pure drinking water. DO NOT ADD ACID.



NOTE

This engine is equipped with an alternator. The current for the battery charger alternator is unregulated. During normal operation, it is only necessary to charge the battery:

1. When it is activated for the first time.
2. Before winter storage.
3. Before using the garden tractor after winter storage.

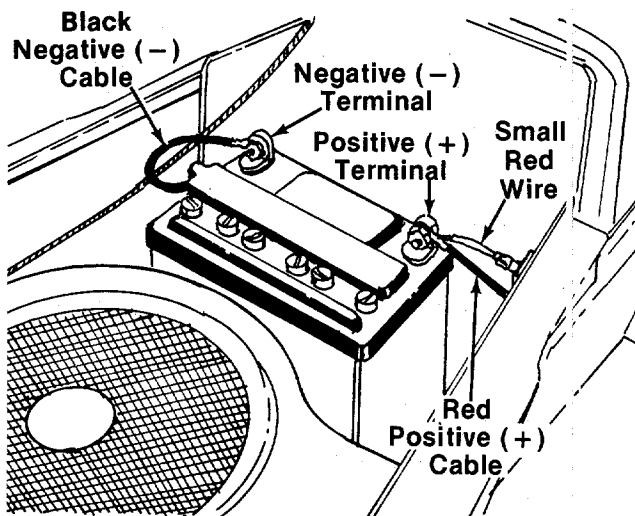


FIGURE 1.

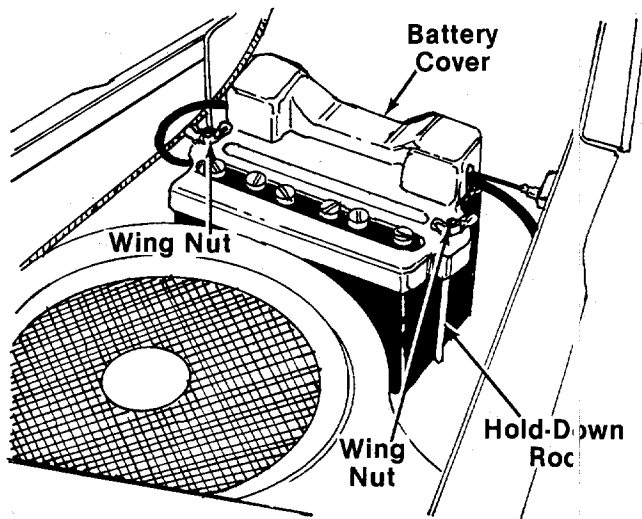


FIGURE 2.

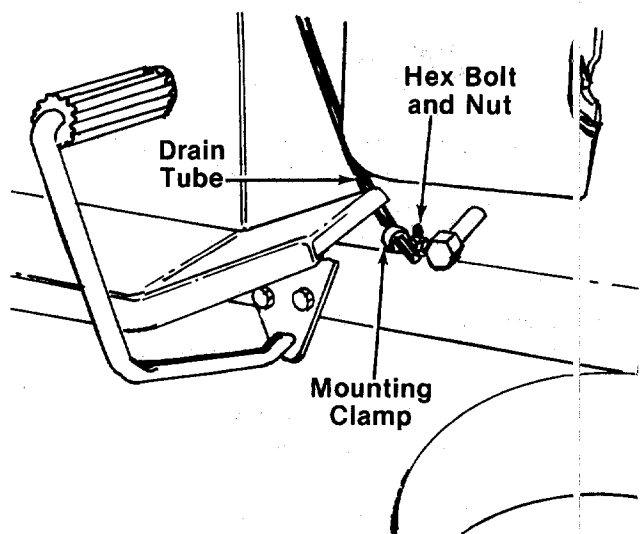


FIGURE 3.

INSTALLING THE BATTERY



The positive battery terminal is marked Pos. (+). The negative battery terminal is marked Neg. (-).

1. Place the battery on the battery plate with the terminals towards the rear of the tractor.
2. Attach the positive cable (heavy red wire) and the small red wire (from the circuit breaker) to the positive battery terminal (+) with a $\frac{1}{4}$ -20 x $\frac{3}{4}$ " long bolt, lock washer and hex nut provided in the battery pack. See figure 1.
3. Attach the negative cable (heavy black wire) to the negative battery terminal (-) with the other $\frac{1}{4}$ -20 x $\frac{3}{4}$ " long bolt, lock washer and hex nut.

4. Hook one hold-down rod into the hole in battery plate beside the battery. See figure 2. Place the battery cover in position over the hold-down rod. Secure with wing nut. Attach other hold-down rod to the other side of battery cover in the same manner.

5. Route the battery drain tube down beside the oil drain pipe on the right side of the tractor.

11 H.P. Tractor—Secure battery drain tube to oil drain pipe with plastic tie provided. Cut off excess end of plastic tie.

16 and 18 H.P. Tractor—Slip the end of the drain tube into the mounting clamp provided in hardware pack. Secure the mounting clamp to the tractor by placing the clamp over the hex bolt and nut which hold the engine pulley belt guard to the frame. Secure in place with hex lock nut provided in hardware pack. See figure 3.



The vented battery allows any gases or liquid from the battery to be drained onto the ground.

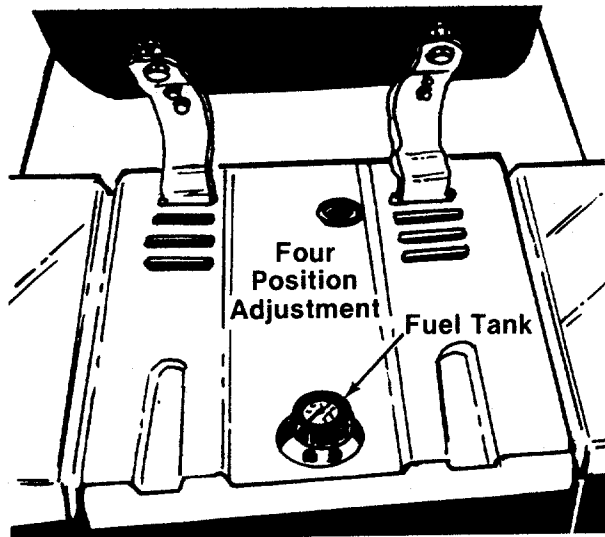


FIGURE 4A.—Models 810, 822, 824, 826, 832, 834 and 836

SEAT ASSEMBLY

Models 810, 822, 824, 826, 832, 834 and 836:

The seat can be adjusted to four positions. With the seat tipped forward, hook the front of the seat spring into the slots on the tractor frame. Allow the seat to pivot backwards until it rests on the rear of the springs. See figure 4A.

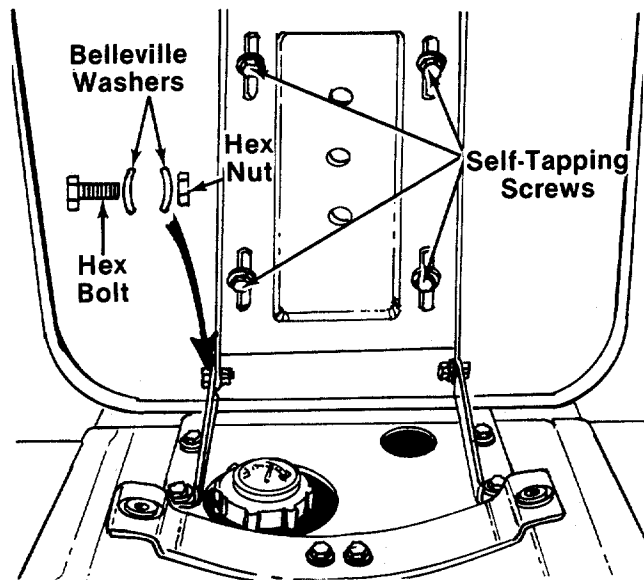


FIGURE 4B.—Models 811, 823, 825, 827, 833, 835, and 837

Models 811, 823, 825, 827, 833, 835 and 837:

Place the seat in position against the seat brackets. Secure each side of seat with $\frac{3}{4}$ " long hex bolt, two belleville washers (on the inside and outside) and hex lock nut. Crown side of washers should be against the head of the bolt and the nut.

See figure 4B.

STEERING WHEEL INSTALLATION

1. **Models 811, 823, 825, 827, 833, 835 and 837 only:** There are four height positions for the steering wheel. For shipping purposes, the steering shaft is assembled in the lowest position. Lift the hood of the tractor. Remove the hairpin cotter and clevis pin on the steering shaft. Raise the shaft to desired position and secure with hairpin cotter and clevis pin. See reference numbers 56 and 57 on page 28.
2. **Models 811, 823, 825, 827, 833, 835 and 837 only:** Attach the plastic steering bellow to the steering wheel as shown in figure 5.

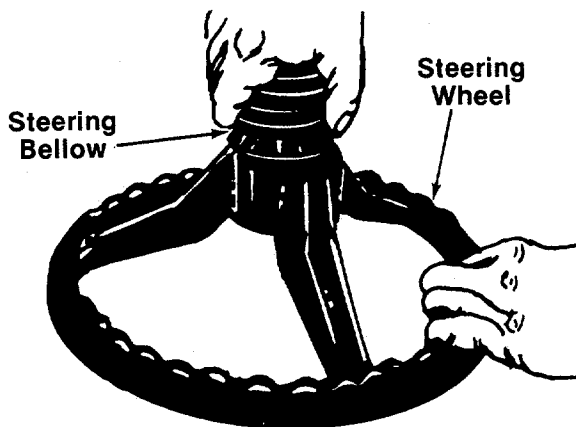


FIGURE 5.—Models 811, 823, 825, 827, 833, 835 and 837

NOTE

One end of the steering bellow is slightly larger than the other. The larger end must be assembled to the steering wheel.

3. Place steering wheel over the steering shaft, lining up the flats in the wheel with the flats on the shaft.

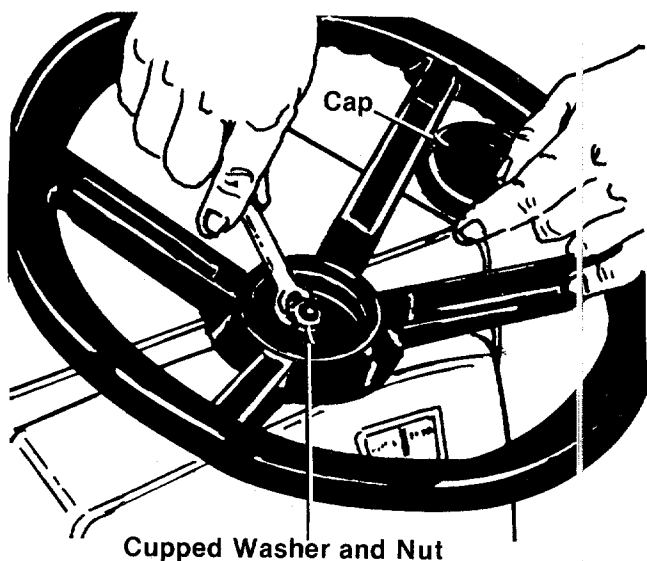


FIGURE 6.

4. Secure with cupped washer (cupped side against the steering wheel) and hex nut. See figure 6.
5. Press the steering wheel cap on the steering wheel by hand.

TIRE PRESSURE

For shipping purposes, the tires on your unit may be over-inflated. Tire pressure should be reduced before unit is put into operation. Recommended operating tire pressure should be 10 p.s.i.

Check sidewall of tire for manufacturer's maximum tire pressure. If this information does not appear on your tire, maximum tire pressure under any circumstances is 30 p.s.i. Equal tire pressure should be maintained on all tires.

CONTROLS

IGNITION SWITCH

The ignition switch is located on the dashboard. Turn the key to the START position to start the engine. When the engine is running, leave the key in the ON position. To stop the engine, turn the key to the OFF position. See figure 7.



Remove the key from the tractor when the tractor is not in use to prevent accidental starting.

THROTTLE CONTROL

The throttle control is located on the left side of the dashboard and is used to regulate the engine speed. See figure 7. The engine should be operated from $\frac{3}{4}$ to full throttle (FAST) when operating any equipment that uses the tractor engine as a source of power such as the mowing deck, snow thrower or rotary tiller.

CHOKE CONTROL (16 and 18 H.P. only)

The choke control is located on the right side of the dashboard and is operated manually. Details for the choke operation are covered in the separate engine manual packed with your unit. See figure 7.

LIGHT SWITCH

The head lamps are operated by pushing the light switch located on the dashboard. The head lamps will only operate when the engine is running. See figure 7.

AMMETER

The ammeter registers the rate of battery charge or discharge. The ammeter will register on the discharging side with starting the engine. It should register on the opposite side (charging) when the engine is running in the fast position until the battery is completely charged. With a fully charged battery or with the engine idling, the ammeter will not show a charge. See figure 7.

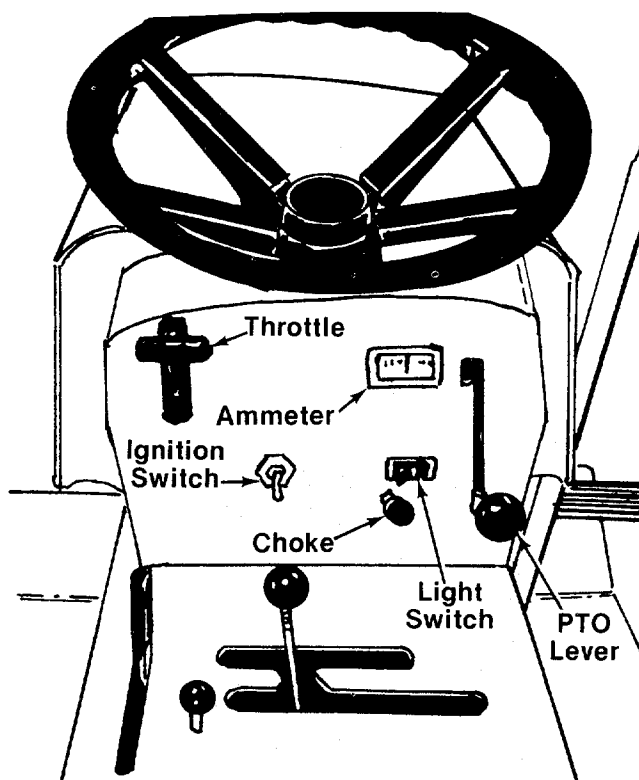


FIGURE 7.—16 and 18 H.P. Models Shown

GASOLINE TANK

The gasoline tank is located under the tractor seat. Tip the seat forward to fill the tank. Refer to figure 4.

GEAR SHIFT LEVER

The transaxle has four forward gears, neutral and reverse. Do **not** shift through the gears on the transaxle as you would in an automobile. Pre-select the gear appropriate for the job you are doing. See figure 8.

You must depress the clutch-brake pedal and come to a complete stop before shifting gears.

CLUTCH-BRAKE PEDAL

The clutch-brake pedal is located on the right side of the tractor. See figure 8. Depressing the clutch-brake pedal part way disengages the clutch. Pressing the pedal all the way down disengages the clutch and engages the disc brake.



NOTE

The clutch-brake pedal must be depressed to start the engine.

PARKING BRAKE

To set the parking brake, depress the clutch-brake pedal and pull up the parking brake knob. It will stay in the raised position. To release the parking brake, depress and release the clutch-brake pedal. See figure 8.

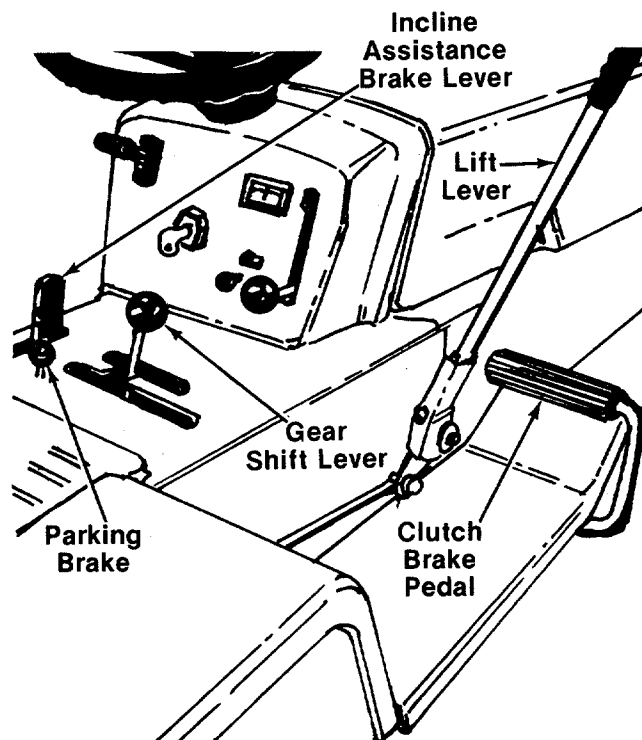


FIGURE 8.

INCLINE ASSISTANCE BRAKE LEVER

When stopping on a hill, hold the incline assistance brake lever back while you release the clutch-brake pedal until the tractor begins to move, then release the lever. This lever permits smoother starts and clutch engagement by holding the tractor during the brake release/clutch engagement operation. See figure 8.

LIFT LEVER

The five position lift lever is used to change the operating position of the attachments. To operate, pull the lever towards you. To release, move the lever to the right and then forward. See figure 8.

POWER TAKE-OFF (PTO) LEVER

The PTO lever is located on the right side of the dashboard. To engage the PTO, lift the lever slowly and lock it into the notch. See figure 7.



NOTE

The PTO lever **must** be in the disengaged position (down) when starting the engine and when shifting into reverse.

OPERATION



CAUTION

1. Keep all shields in place.
2. Before leaving operator's position:
 - a. Shift transmission to neutral
 - b. Set parking brake
 - c. Disengage attachment clutch
 - d. Shut off engine
 - e. Remove ignition key
3. Wait for all movement to stop before servicing machine.
4. Keep people and pets a safe distance away from machine.
5. Look to the rear before backing up.

PREPARATION



NOTE

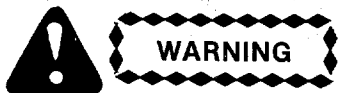
When packaged for shipment, the machine contains no oil or gasoline. Before starting the engine, oil must be added to the engine crankcase and gasoline to the tank. **DO NOT** mix oil with gasoline.

1. Put oil in engine crankcase. Refer to separate engine manual packed with your unit for engine oil recommendations.
2. Fill the fuel tank with clean, fresh, lead-free, low-lead or regular grade leaded gasoline.

OPERATING THE TRACTOR



This unit is equipped with a safety interlock system for your protection. The purpose of the safety interlock system is to prevent the engine from cranking or starting unless the clutch-brake pedal is depressed and the PTO lever is in the disengaged position. In addition, the PTO lever must be in the disengaged position when the unit is put into reverse or the engine will shut off.



Do not operate the tractor if the interlock system is malfunctioning because it is a safety device, designed for protection.

1. Place the PTO lever in the disengaged (down) position.
2. **16 and 18 H.P. Units Only**—Pull out the choke control. A warm engine requires less choking.
3. Set the throttle control in the FAST position.
4. Depress the clutch-brake pedal and hold it down.
5. Turn the ignition key to the START position. After the engine starts, release the key.
6. **16 and 18 H.P. Only**—Slowly push in the choke as the engine warms up.
7. With the clutch-brake pedal depressed, move the gear shift lever into one of the forward gears or reverse.
8. Slowly release the clutch-brake pedal and the tractor will move forward.
9. When stopping, depress the clutch-brake pedal. This will apply both the clutch and the brake.
10. To shut off the engine, turn the ignition key to the left to the OFF position. Remove the key to prevent accidental starting while equipment is unattended.



If you strike a foreign object, stop the engine. Remove wire from spark plug, thoroughly inspect the mower for any damage, and repair the damage before restarting and operating the mower.

ADJUSTMENTS



Disconnect the spark plug wire and ground against the engine before performing any adjustments, repairs or maintenance.

SEAT ADJUSTMENT

Models 810, 822, 824, 826, 832, 834 and 836:

The tractor seat is adjustable to four positions. To change positions, tip the seat all the way forward and lift it out of the slots on each side. Refer to figure 4A.

Models 811, 823, 825, 827, 833, 835 and 837:

To adjust the position of the seat, loosen the four self-tapping screws on the bottom of the seat. See figure 4B. Slide the seat forward or backward as desired. Retighten the self-tapping screws.

REAR WHEEL TRACK ADJUSTMENT

The distance between the rear wheels can be changed from wide to narrow by removing the rear wheels one at a time and reversing them on the hub.

With the rear wheels in the narrow position, the outside of the rear wheels is even with the outside of the front wheels.

With the rear wheels in the wide position, the inside of the rear wheels is even with the outside of the front wheels.

BRAKE ADJUSTMENT

During normal operation of this machine, the brakes are subject to wear and will require periodic examination and adjustment.



Do not adjust the brake while the engine is running. Be sure to block the wheels of the tractor before making the brake adjustment.

1. Loosen the lock nut. See figure 9.
2. Tighten the center bolt all the way in.
3. Unscrew the center bolt one complete turn.
4. Test the brakes and repeat step three if necessary.
5. Tighten the lock nut.

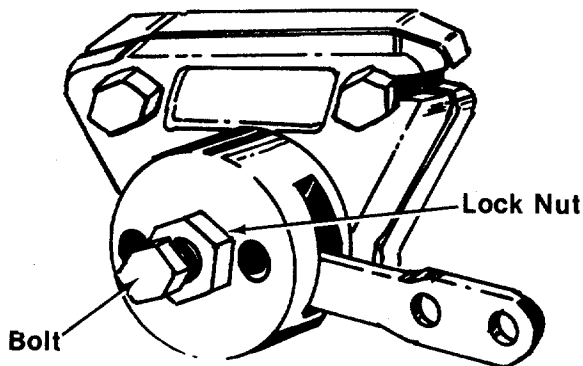


FIGURE 9.

DECK ADJUSTMENT LINKS

If an uneven cut is obtained, the deck may be adjusted. Adjustable lift link assemblies are located on the left side of the unit. Refer to Ref. Nos. 16, 34, and 54 on page 30.

To adjust the deck, remove the hairpin cotter and washer from the clevis pin. Thread eyebolt up or down the adjustable link lift assembly as necessary. Replace clevis pin, washer and hairpin cotter.

CARBURETOR ADJUSTMENTS



If any adjustments are made to the engine while the engine is running (e.g. carburetor), disengage all clutches and blades. Keep clear of all moving parts. Be careful of heated surfaces and muffler.

Minor carburetor adjustments may be required to compensate for differences in fuel, temperature, altitude and load.

Refer to separate engine manual for carburetor adjustment information.

STEERING WHEEL ADJUSTMENT

Models 811, 823, 825, 827, 833, 835 and 837 only:

There are four height positions for the steering wheel. To adjust the height of the steering wheel, remove the hairpin cotter and clevis pin on the steering shaft. Place the steering wheel in the position desired and secure with hairpin cotter and clevis pin. See reference numbers 56 and 57 on page 28.

LUBRICATION

STEERING GEARS

Wipe off the old grease and dirt. After every 25 hours of operation place an automotive multi-purpose grease in the teeth of the segment and pinion gears. See figure 10.

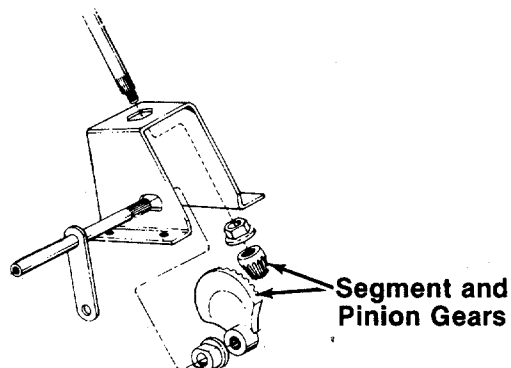


FIGURE 10.

TRANSAXLE

Check the oil level four times a year. Lubricant should be at the point of overflowing. Use E.P. 90 oil. Drain and refill every two years. Capacity 4 pints. See figure 11.

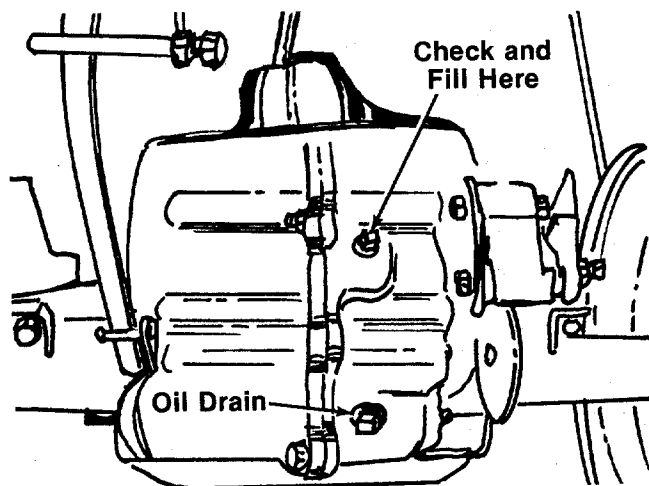


FIGURE 11.

LINKAGE

Once a season lubricate all the pivot points on the clutch, brake and lift linkage with SAE 30 engine oil.

FRONT WHEELS

The front wheels are provided with grease fittings. Lubricate at least once a season with automotive multi-purpose grease.

PIVOT POINTS

Lubricate all pivot points with light oil at least once a season.

BALL JOINTS

The ball joints and drag link ends are permanently lubricated.

MAINTENANCE



Disconnect the spark plug wire and ground against the engine before performing any adjustments, repairs or maintenance.

TROUBLE SHOOTING

Refer to the chart on page 16 for trouble shooting engine problems.

CRANKCASE OIL

To ensure maximum engine performance, perform the following periodic maintenance:

Check the oil level in the crankcase before each use of the machine and after every two hours of operation. Keep the oil level between ADD and FULL. See figure 12.

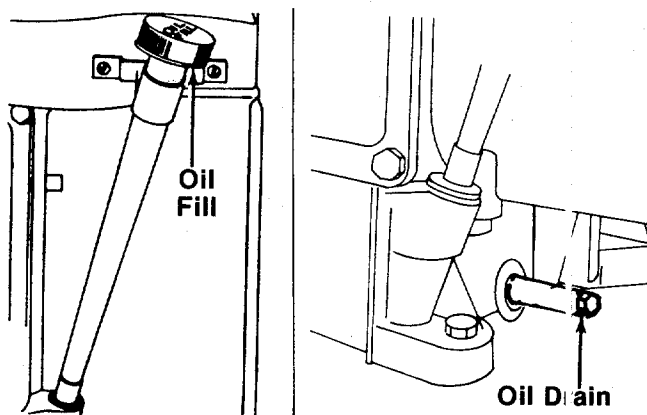


FIGURE 12.—16 H.P. Model Shown

After the first five hours of operating a new engine, drain the oil (see figure 10) from the crankcase while engine is still hot and refill crankcase with new oil; thereafter change the oil after every 25 hours of operation. This procedure ensures minimum wear of engine parts. To change the oil, proceed as follows:

- Step 1. Remove oil filler plug.
- Step 2. Drain the oil.
- Step 3. Replace oil filler plug.
- Step 4. Refill crankcase with oil. Refer to separate engine manual for quantity and type of oil.

FUEL FILTER

Your unit is equipped with a replaceable in-line fuel filter. Replace filter whenever contamination or discoloration is noticed. Order replacement filter through your authorized engine service dealer.

WHEEL ALIGNMENT

The front wheels should toe-in approximately 1/8". Measure the distances A and B on the front wheels. See figure 13.



Dimension B should be approximately 1/8 inch less than dimension A.

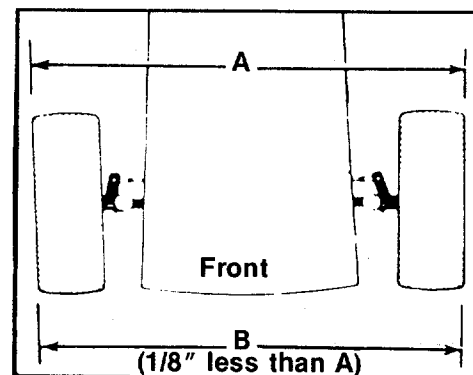


FIGURE 13.

To adjust the toe-in, loosen the hex jam nut, remove the elastic lock nut, lift the tie rod end out of the hole in the steering arm and screw the tie rod end in or out as necessary. See figure 16.

Reassemble the tie rod end after the correct alignment is made.

DRAG LINK

If the drag link or ball joints are changed, the new assembly must be adjusted to the exact same length as the original. If adjusted incorrectly, it will allow the tractor to turn sharper one direction than the other.

To take off the drag link, remove the nuts and lock washers holding the ball joint to the steering gear and left front axle bracket. See figure 14.

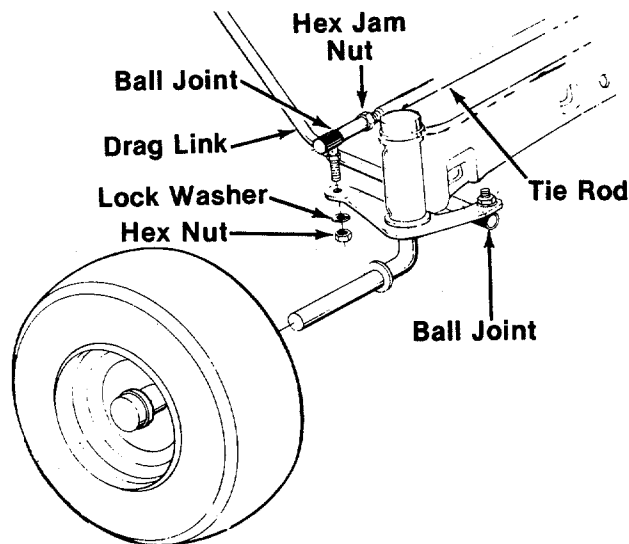


FIGURE 14.

ENGINE

Refer to separate engine manual for all engine maintenance procedures.

MAINTENANCE OF BATTERY

1. Check electrolyte level periodically (at least every two weeks). Keep the level to the split rings. Use only distilled water or a good quality drinking water. Never add acid or any other chemicals to the battery after initial activation.
2. The battery should be checked with a hydrometer after every 25 hours of operation. If the specific gravity is less than 1.225, the battery should be recharged. Maximum charge rate 5 AMPS.
3. Coat the terminals and exposed wire with a thin coat of grease or petroleum jelly for longer service and protection against corrosion.
4. The battery should be kept clean. Any deposits of acid should be neutralized with soda and water. Be careful not to get this solution in the cells.
5. Avoid tipping the battery. Even a "sealed" battery will leak electrolyte when tipped.

STORAGE OF THE BATTERY

1. Charge battery using normal methods. NEVER store discharged battery as it will not recover.
2. When storing battery for extended periods, disconnect battery cables. Removing battery from unit is recommended.
3. Store in cold, dry place.
4. Recharge battery whenever the specific gravity is less than 1.225, before returning to service, or every two months, whichever occurs first.

COMMON CAUSES FOR BATTERY FAILURE

1. Overcharging
2. Undercharging
3. Lack of water
4. Loose hold downs and/or corroded connections
5. Excessive loads
6. Battery electrolyte substitutes
7. Freezing of electrolyte



These failures do not constitute warranty.

BATTERY REMOVAL OR INSTALLATION



When removing the battery, follow this order of disassembly to prevent your wrench from shorting against the frame.

1. Remove the Negative cable.
2. Remove the Positive cable.

To install a battery:

1. Attach the Positive cable.
2. Attach the Negative cable.

JUMP STARTING

1. Attach the first jumper cable from the Positive terminal of the good battery to the Positive terminal of the dead battery.
2. Attach the second jumper cable from the Negative terminal of the good battery to the FRAME OF THE UNIT WITH THE DEAD BATTERY.



Failure to use this starting procedure could cause sparking, and the gases in either battery could explode.

INSTALLATION OF TIRE TO RIM



WARNING

The following procedure must be followed when removing or installing a tire to the rim.

1. Be sure rim is clean and rust free.
2. Lubricate both the tire and rim generously.
3. Never inflate to over 30 p.s.i. to seat beads. Excessive inflation pressure when seating beads may cause tire/rim assembly to burst with force sufficient to cause serious injury.

BELT REMOVAL AND REPLACEMENT

Changing the Front Drive Belt

1. If a cutting deck is attached to your tractor, remove it. Remove the battery.
2. Raise and block the front wheels of the tractor so you can work under it.
3. Unscrew the belt guard release next to the engine pulley. See figure 15.

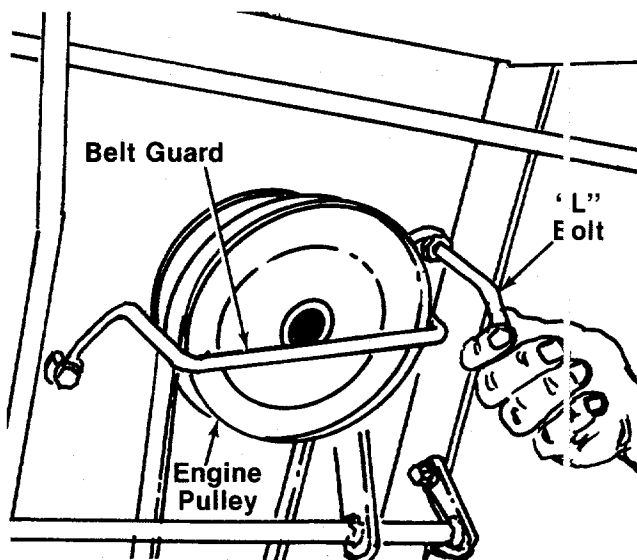


FIGURE 15.

4. Swing the belt guard forward towards the front of the tractor.



WARNING

Observe the way the belt is twisted. If the new belt is installed backwards, the tractor will run backwards.

5. Using a bar or large screwdriver, pry the pulley assembly towards the front of the tractor and unhook the belt from the pulley. See figure 16.
6. Install the new belt by hooking it over the engine pulley and twisting the belt to the left as you attach it to the pulley.
7. Test the operation of the tractor to make certain the belt has been installed correctly.

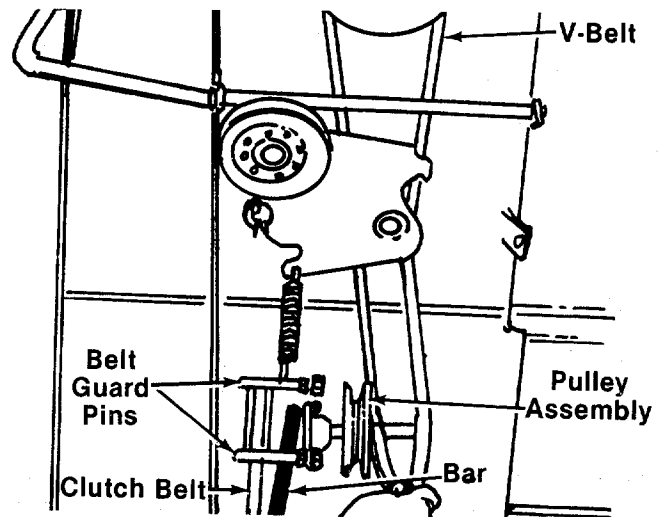


FIGURE 16.

Removing the Rear (Clutch) Belt

1. If a cutting deck is attached to your tractor, remove it. Remove the battery.
2. Raise and block the front wheels of the tractor so you can work under it.
3. Depress the clutch-brake pedal and set the parking brake.
4. Remove the two belt guard pins on the pulley assembly. See figure 16.
5. Take off the idler assembly by removing the center bolt.



NOTE

Be sure the belt clip is reassembled the same way. See figure 17.

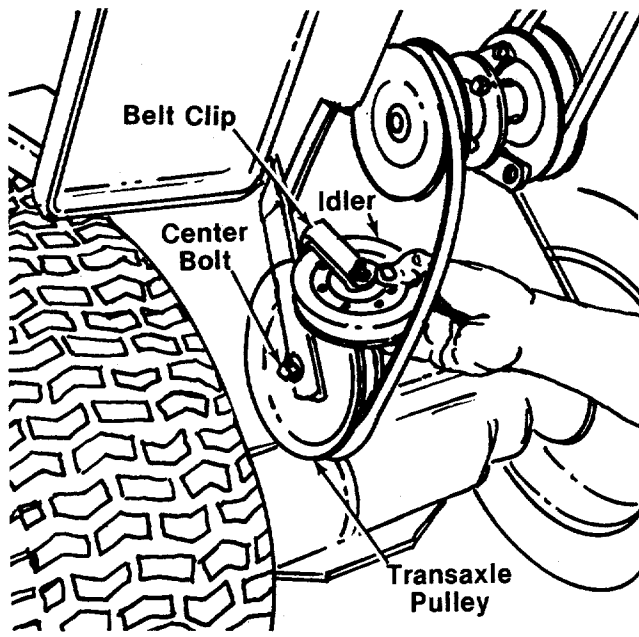


FIGURE 17.

6. Remove the center bolt and slide the transaxle pulley off. See figure 17.
7. Reassemble in reverse order with a new V-belt.

OFF-SEASON STORAGE

If the machine is to be inoperative for a period longer than 30 days, prepare for storage as follows.

1. Clean the engine and the entire unit thoroughly.
2. Lubricate all lubrication points. Wipe the entire machine with an oiled rag to protect the surfaces.
3. Refer to the engine manual for correct engine storage instructions. The engine must be completely drained of fuel to prevent gum deposits from forming on essential carburetor parts, fuel lines and fuel tanks.
4. Refer to battery storage instructions on page 13.
5. Store unit in a clean, dry area.

➔ NOTE

When storing any type of power equipment in an unventilated or metal storage shed, care should be taken to rustproof the equipment. Using a light oil or silicone, coat the equipment, especially any chains, springs, bearings and cables.

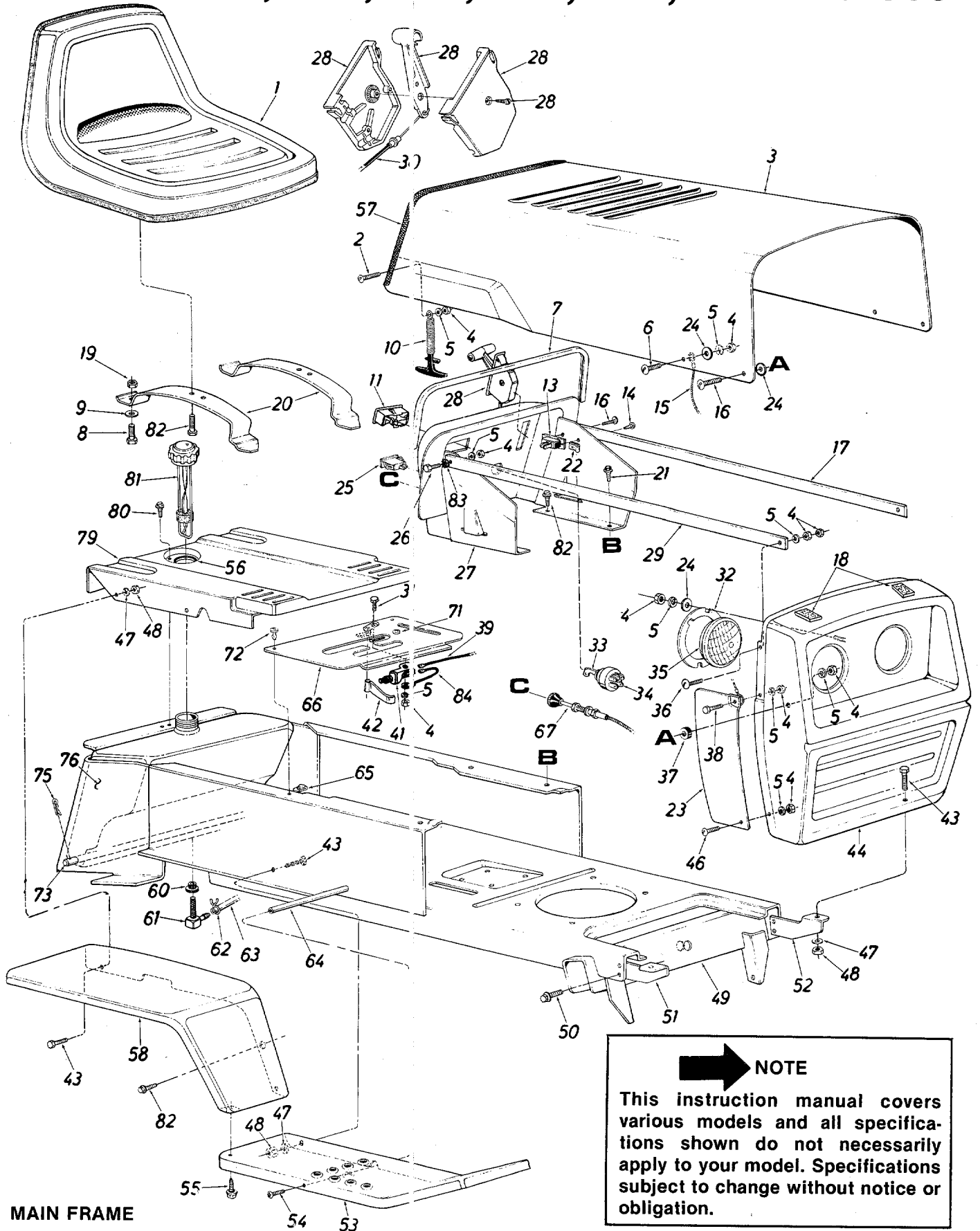
TROUBLE SHOOTING CHART FOR ELECTRIC START MODELS

TROUBLE	LOOK FOR	REMEDY
Engine will not crank	Battery installed incorrectly	The battery must be installed with the negative, identified at the terminal post by (Neg, N or -), grounded. The positive (Pos, P or +) attaches to the large cable from the solenoid. The small red wire from the fuse holder or circuit breaker is also attached to the positive terminal.
	Blown fuse or circuit breaker	Replace fuse with 7½ amp. fuse ¼ x 1¼" lg. Circuit breaker will reset itself when it cools off. Fuses or circuit breakers seldom open or fail without a reason. The problem must be corrected. Check for loose connections in the fuse holder. Replace fuse holder if necessary. A dead short may be in the cranking or charging circuit where the insulation may have rubbed through and exposed the bare wire. Replace the wire or repair with electrician's tape if the wire strands have not been damaged. Note: Look for a wire pinched between body panels, burned by the exhaust pipe or muffler or rubbed against a moving part.
	Battery is dead or weak	<p>Use a hydrometer to check the condition of the battery. The Specific Gravity (s.g.) should be 1.265 at 80°F. (1.215 s.g. minimum needed for cranking engine). The reason for the battery failing must be determined. (1) Defective battery. Battery will not accept or hold a full charge. (2) Short circuit. Check for grounded wire. (3) Charging system not working, either engine alternator or trickle charger.</p> <p>Trickle Charger. Check with multimeter. Charger 725-0578—input 120 V A.C., no load output 13.5 V D.C., rated load current 1 amp. Charger 725-0507—input 120 V A.C., no load output 17.4 V D.C., rated load current 1/2 amp.</p> <p>Alternator (dual or single circuit) The charging system is an alternator located under the flywheel. It is unregulated and rated 3 amp. at 3600 r.p.m. A diode (rectifier) is located in the output lead just before the wire harness plug on the engine side.</p> <div style="text-align: center;"> </div> <p>The diode changes A.C. to D.C. to charge the battery. A bad diode can either fail to charge the battery or discharge the battery if the alternator is shorted as well as the diode. To test: (1) Disconnect charger lead from the battery (small red wire). (2) Connect 12 V small test lamp between the 3 amp. D.C. charge lead and the positive terminal of the battery. (3) With the engine off, the lamp should not light. If it does, the diode and possibly the alternator should be replaced. (4) Start the engine. The lamp should light. If it does not, the alternator (stator) or lead wire is bad and should be replaced.</p>
Mechanical failure. (Wires and switches)	The interlock system includes two mechanical activated switches which are wired in series in the circuit used to energize the starter solenoid. While testing the interlock system, you will make the mower temporarily unsafe by permitting the engine to be started with the blade and clutch engaged. WARNING: While testing, disengage the clutch, shut off the blade control, set the parking brake and place the gear shift lever in neutral. Attach a wire (minimum 18 gauge) to the positive terminal of the battery and touch the other end to the small terminal on the solenoid. If the engine does not crank: (1) There is a loose connection or poor ground. (2) The solenoid may be bad. The solenoid can be checked by using a heavy wire (#8 gauge minimum) and jumping between the two large terminals. If the engine cranks, the solenoid is bad. (3) If the engine does not crank when you jump the solenoid, have the starter motor tested by an authorized engine dealer. If the engine does crank, the problem is with one of the safety switches, ignition switch or the wire between the fuse holder (or circuit breaker) and the small terminal on the solenoid. Note: Look for a poor connection at the switches or a defective switch. Replace if necessary.	
Engine cranks but will not start	Throttle or choke not in starting position	Check owner's guide for correct position for throttle control and choke (if separate control) for starting.

TROUBLE SHOOTING CHART FOR ELECTRIC START MODELS

TROUBLE	LOOK FOR	REMEDY
	No spark to spark plug	Spark plug lead disconnected. Connect lead. Hold spark plug lead away from engine block about 1/8". Crank engine. There should be a spark. If not, have engine repaired at authorized engine service dealer. Faulty spark plug. To test, remove spark plug. Attach spark plug lead to spark plug. Ground the spark plug body against the engine block. Crank the engine. The spark plug should fire at the electrode. Replace if it does not.
	No fuel to the carburetor	Gasoline tank empty. Fill. Fuel valve shut off. Open valve. Valve is located either at the bottom of the fuel tank or on the carburetor. Fuel line plugged. Remove and clean.
	Air filter dirty	If the air cleaner is dirty, the engine may not start. Clean or replace as recommended by the engine manufacturer.
Engine smokes	Engine loses crankcase vacuum	Dipstick not seated or broken. Replace defective part. Engine breather defective. Replace.
Excessive vibration	Bent or damaged blade spindle	Stop engine immediately. Check all pulleys, blade adapters, keys and bolts for tightness and damage. Tighten or replace any damaged parts.
	Bent blade	Stop engine immediately. Replace damaged blade. Only use original equipment blades.
Mower will not discharge grass or leaves uncut strips	Engine speed low Transmission selection Blades short or dull	Throttle must be set between 3/4 and full throttle. Use lower transmission gear. The slower your ground speed, the better the quality of cut. Sharpen or replace blades (uncut strip problem only).

Models 810, 822, 824, 826, 832, 834 and 836

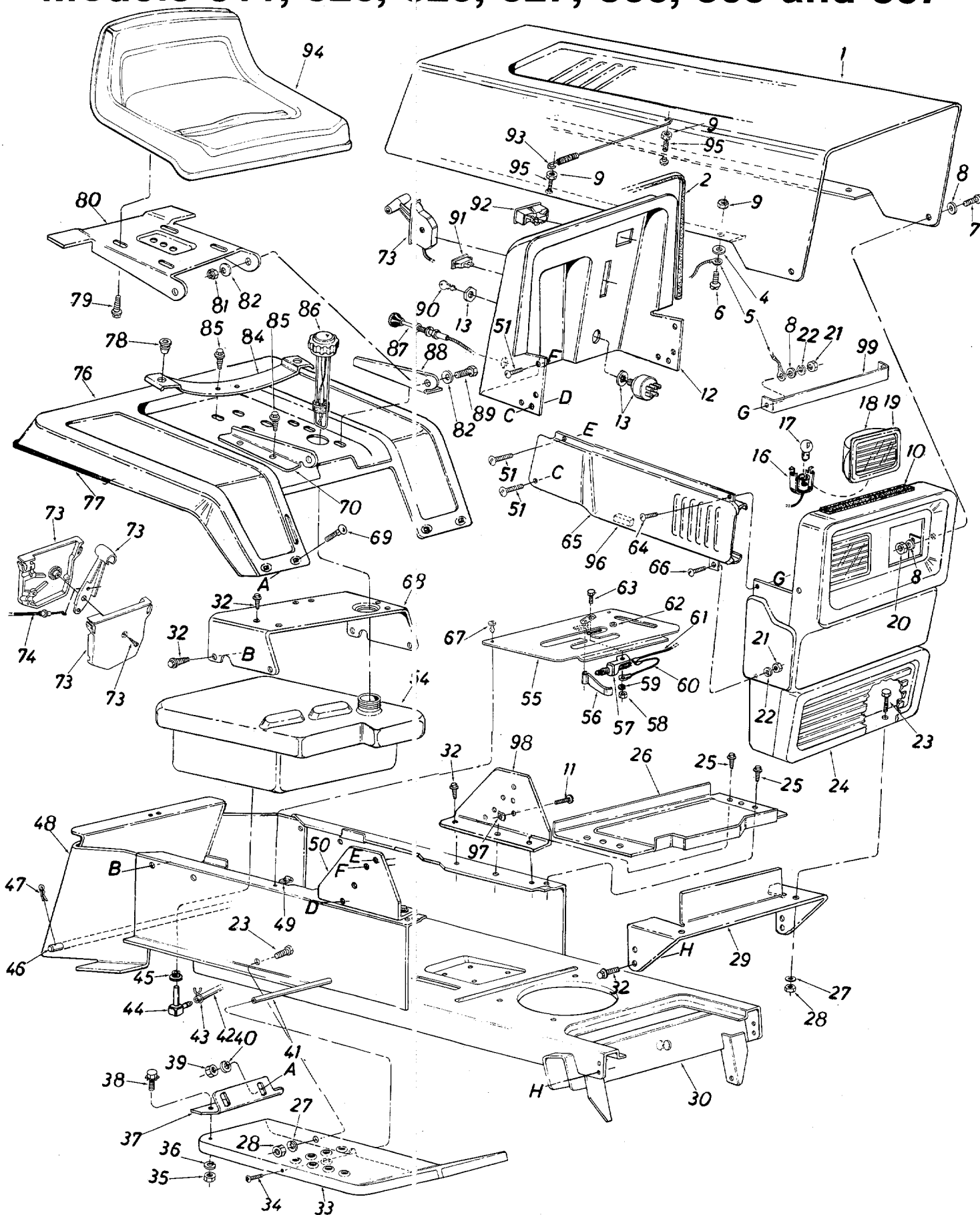


Models 810, 822, 824, 826, 832, 834 and 836

PARTS LIST FOR MAIN FRAME MODELS 810, 822, 824, 826, 832, 834 and 836

REF. NO.	PART NO.	COLOR CODE	DESCRIPTION	NEW PART	REF. NO.	PART NO.	COLOR CODE	DESCRIPTION	NEW PART
1	757-0308		Seat Assembly		39	725-0764		Reverse Lockout Wire Harness	
2	710-0286		Truss Mach. Scr. 1/4-20 x .50" Lg.*		41	725-0268		Safety Switch	
3	13808	-462	Hood		42	732-0405		Switch Actuator Spring Lever	
4	712-0287		Hex Nut 1/4-20 Thd.*		43	710-0118		Hex Scr. 5/16-18 x .75" Lg.*	
5	736-0329		L-Wash. 1/4" Scr.*		44	13801	-462	Grille Ass'y. (Painted)	
6	710-0286		Truss Mach. Scr. 1/4-20 x .50" Lg.*			14226		Grille Ass'y. (Chrome)	
7	731-0511		Vinyl Molding Strip—29"		46	710-0286		Truss Mach. Scr. 1/4-20 x .50" Lg.*	
8	710-0689		Hex Nylon Scr. 1/2-13 x .75" Lg.		47	736-0119		L-Wash. 5/16" Scr.*	
9	736-0192		FI-Wash. .50" I.D. x 1.00" O.D. x .090		48	712-0267		Hex Nut 5/16-18 Thd.*	
10	723-0296		Hood Latch Ass'y.		49	13820		Lower Frame Ass'y.	
11	725-0925		Ammeter		50	710-0726		Hex Thd. Rolling Scr. 5/16" x .75" Lg.	
13	725-0459		Circuit Breaker 8 Amp.		51	13862		Grille Mount Brkt.—R.H.	
14	710-0351		Hex Tap Scr. #10 x .50" Lg.*		52	13863		Grille Mount Brkt.—L.H.	
15	727-0199		Hood Stop		53	13828	-462	Running Board—R.H.	
16	710-0255		Truss Mach. Scr. 1/4-20 x .75" Lg.*			13827	-462	Running Board—L.H. (Not Shown)	
17	749-0220		Grille Positioning Rod		54	710-0323		Truss Mach. Scr. 5/16-18 x .75" Lg.*	
18	722-0135		PVC Foam Strip 1/2 x 1.00" x 2.00" Lg.		55	710-0726		Hex Thd. Rolling Scr. 5/16-24 x .75" Lg.	
19	712-0206		Hex Nut 1/2-13 Thd.*		56	735-0179		Grommet (Gas Tank Neck)	
20	13123		Seat Spring		57	731-0511		Vinyl Moulding Strip—30"	
21	710-0599		Hex Thd. Rolling Scr. 1/4" x .50" Lg.		58	13810	-462	Fender Ass'y.—R.H.	
22	712-0344		Speed Nut #10Z			13809	-462	Fender Ass'y.—L.H. (Not Shown)	
23	14748	-462	Grille Side Panel—R.H.		60	735-0149		Bushing (Gas Tank)	
	14749	-462	Grille Side Panel—L.H. (Not Shown)		61	751-3054		90° Nipple	
24	736-0173		FI-Wash. 1/4" I.D.		62	726-0207		Hose Clamp 3/8"	
25	725-0634		Light Switch		63	751-0173		Gas Line 46" Lg.	
26	710-0166		Truss Hd. Scr. 1/4-20 x 1.00" Lg.*		64	738-0435		Running Board Rod	
27	16325		Dash Panel Ass'y.		65	712-0147		Speed Nut #10-24	
28	831-0692		Throttle Control Box Comp.		66	14466		Transmission Cover Ass'y.	
29	749-0220		Grille Positioning Rod		67	746-0394		Choke Control Comp. (16 and 18 H.P.)	
30	746-0503		Throttle Control Cable (16 and 18 H.P.)		71	731-0405		Snap Bushing	
	746-0500		Throttle Control Cable (11 H.P.)		72	710-0351		Truss Hd. Scr. #10 x .50" Lg.	
31	710-0289		Hex Bolt 1/4-20 x .50" Lg.*		73	738-0482		Hitch Rod	
32	09960		Head Lamp Retainer		75	714-0147		Internal Cotter Pin	
33	725-0201		Ignition Key		76	751-0259		Gas Tank	
34	725-0267		Ignition Switch		79	13814		Seat Plate	
35	725-0222		Head Lamp		80	710-0726		Hex Thd. Rolling Scr. 5/16-24 x .75" Lg.	
36	710-0255		Truss Machine Scr. 1/4-20 x .75" Lg.*		81	723-0346		Gas Gauge	
37	735-0144		Rubber Wash. .50" I.D. x 1.00 O.D. x .25 Thk.		82	710-0726		Hex Thd. Rolling Scr. 5/16-24 x .75" Lg.	
38	710-0286		Truss Mach. Scr. 1/4-20 x .50" Lg.*		83	736-0222		External Wash. 1/4" I.D.	
					84	725-0765		Electric Wire	

Models 811, 823, 825, 827, 833, 835 and 837

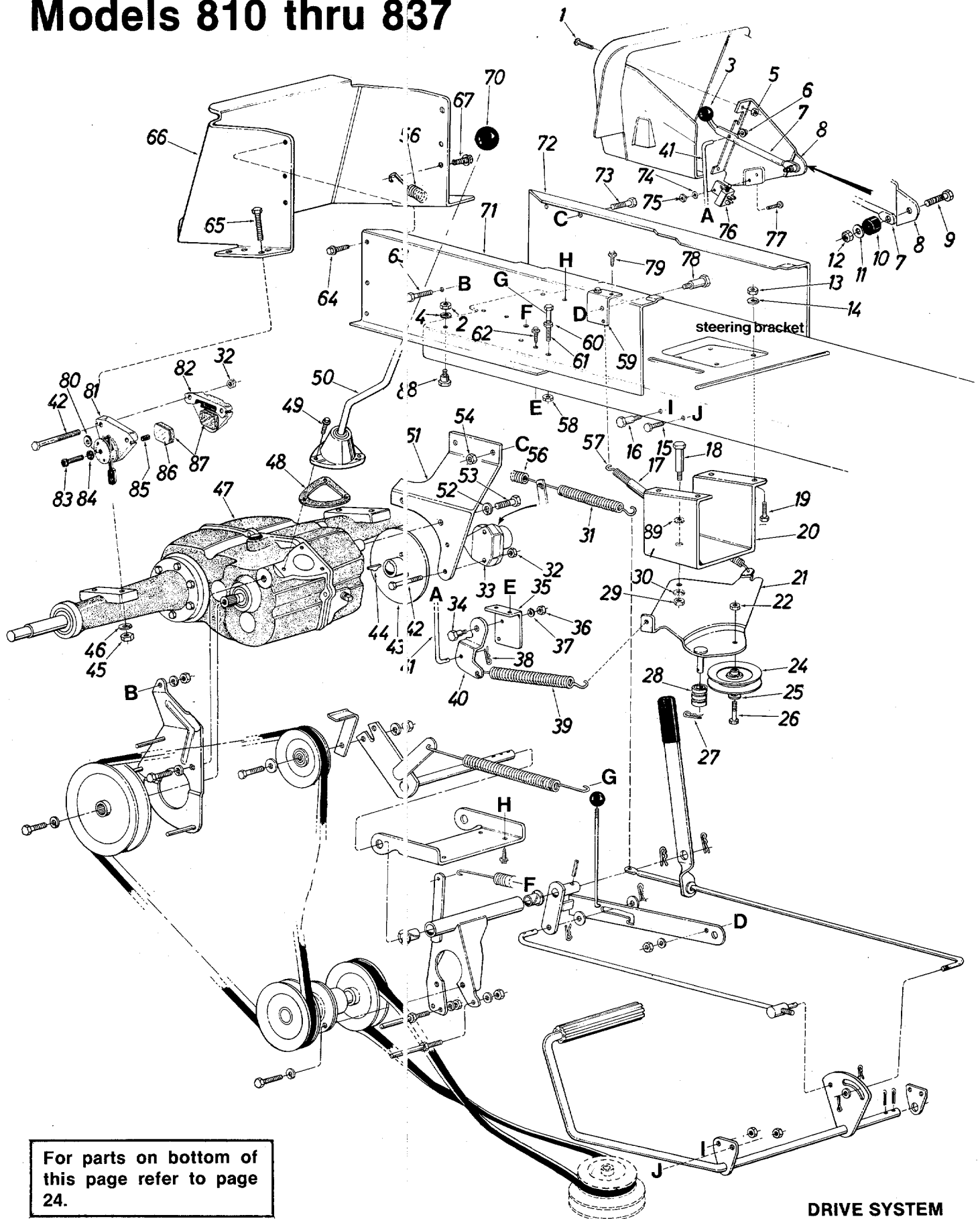


Models 811, 823, 825, 827, 833, 835 and 837

PARTS LIST FOR MODELS 811, 823, 825, 827, 833, 835 and 837

REF. NO.	PART NO.	COLOR CODE	DESCRIPTION	NEW PART	REF. NO.	PART NO.	COLOR CODE	DESCRIPTION	NEW PART
1	15808		Hood		54	751-0367		Fuel Tank	
2	731-0511		Trim Strip—27" Lg.		55	15831		Transmission Cover Ass'y.	
4	736-0931		Fl-Wash. .20" I.D. x .41" O.D.		56	732-0405		Switch Actuator Spring Lever	
5	727-0290		Hood Stop		57	725-0268		Safety Switch	
6	710-0473		Truss Hd. Mach. Scr. #10-24 x .50" Lg.*		58	712-0287		Hex Nut 1/4-20 Thd.*	
7	710-0258		Hex Bolt 1/4-20 x .62" Lg.*		59	736-0329		L-Wash. 1/4" I.D.*	
8	736-0463		Fl-Wash. 1/4" I.D.*		60	725-0765		Electric Wire	
9	712-0272		Hex Sem Nut #10-24 Thd.*		61	725-1027		Reverse Lockout Wire Harness	
10	722-0155		Foam Strip 3/8" x 1" x 14"		62	731-0405		Snap Bushing	
11	710-0351		Truss Mach. Scr. #10 x .50" Lg.		63	710-0289		Hex Bolt 1/4-20 x .50" Lg.*	
12	15811		Dash Ass'y. (11 H.P.)		64	710-0255		Truss Hd. Scr. 1/4-20 x .75" Lg.*	
	15812		Dash Ass'y. (16 & 18 H.P.)		65	15814		Side Panel—R.H.	
13	725-0267		Ignition Switch			15815		Side Panel—L.H. (Not Shown)	
16	725-0964		Socket		66	710-0286		Truss Mach. Scr. 1/4-20 x .50" Lg.*	
17	725-0963		Lamp		67	710-0351		Truss Mach. "B" Tap Scr. #10 x .50" Lg.	
18	731-0705		Headlight Housing		68	15849		Seat Mounting Channel	
19	731-0706		Lens		69	710-0167		Carriage Bolt 1/4-20 x .50" Lg.*	
20	712-0107		Hex L-Nut 1/4-20 Thd.		70	15802		Seat Bracket—R.H.	
21	712-0287		Hex Nut 1/4-20 Thd.*		72	710-0600		Hex Wash Hd. Self-Tap Scr. 5/16-24 x .50" Lg.	
22	736-0329		L-Wash. 1/4" I.D.*		73	831-0692		Throttle Control Box Ass'y.	
23	710-0118		Hex Bolt 5/16-18 x .75" Lg.*		74	746-0500		Throttle Control Cable (11 H.P.)	
24	15804		Grille (With Headlights)			746-0503		Throttle Control Wire (16 & 18 H.P.)	
25	710-0599		Hex Wash. Hd. Scr. 1/4" x .50" Lg.		76	15886		Rear Fender	
26	13379		Battery Plate		77	731-0511		Trim Strip—81"	
27	736-0119		L-Wash. 5/16" I.D.*		78	731-0555		Grommet	
28	712-0267		Hex Nut 5/16-18 Thd.*		79	710-0623		Hex Wash. Hd. AB-Tap Scr. 3/8 x .75" Lg.	
29	15825		Grille Mounting Bracket		80	15607		Seat Pivot Bracket	
30	13820		Lower Frame Ass'y.		81	712-0158		Hex Cent. L-Nut 5/16-18 Thd.	
32	710-0726		Hex Thd. Rolling Scr. 5/16-24 x .75" Lg.		82	736-0242		Belleville Wash. .34" I.D. x .88" O.D.	
33	13828		Running Board—R.H.		84	732-0431		Seat Spring	
	13827		Running Board—L.H. (Not Shown)		85	710-0607		Hex Wash. Hd. Self-Tap Scr. 5/16-18 x .50" Lg.	
34	710-0323		Truss Mach. Scr. 5/16-18 x .75" Lg.*		86	751-0370		Gas Cap w/Gauge	
35	712-0267		Hex Nut 5/16-18 Thd.*		87	746-0394		Choke Control Comp. (16 & 18 H.P.)	
36	736-0242		Bell-Wash. .34" I.D. x .87" O.D.		88	15803		Seat Bracket—L.H.	
37	15846		Fender Brkt.—R.H.		89	710-0118		Hex Bolt 5/16-18 x .75" Lg.*	
	15847		Fender Brkt.—L.H. (Not Shown)		90	725-0201		Ignition Key	
38	710-0118		Hex Bolt 5/16-18 x .75" Lg.*		91	725-0634		Light Switch	
39	712-0287		Hex Nut 1/4-20 Thd.*		92	725-0925		Ammeter	
40	736-0329		L-Wash. 1/4" I.D.*		93	732-0462		Hood Spring	
41	738-0435		Running Board Rod		94	757-0308		Seat Ass'y.	
42	751-0173		Fuel Line 40" Lg.		95	710-0749		Hex Screw #10-24 x 1.0" Lg.*	
43	726-0207		Hose Clamp 3/8"		96	735-0244		Rubber Strip 1/2" Sq. x 2 1/2" Lg.	
44	751-3054		90° Nipple		97	712-0121		Speed Nut	
45	735-0149		Bushing (Fuel Tank)		98	15829		Dash Support Brkt.—L.H.	
46	738-0482		Hitch Rod		99	15931		Tie Strap—Grille/Side Panel	N
47	714-0147		Internal Cotterpin						
48	13813		Hitch Plate						
49	726-0139		Speed Nut						
50	15828		Dash Support Brkt.—R.H.						
51	710-0642		Hex Wash. Hd. Tap Scr. 1/4 x .75" Lg.						

Models 810 thru 837



For parts on bottom of this page refer to page 24.

DRIVE SYSTEM

Models 810 thru 837

PARTS LIST FOR DRIVE SYSTEM MODELS 810 thru 837

REF. NO.	PART NO.	COLOR CODE	DESCRIPTION	NEW PART	REF. NO.	PART NO.	COLOR CODE	DESCRIPTION	NEW PART
1	710-0286		Truss Mach. Scr. 1/4-20 x .50" Lg.*		46	736-0169		L-Wash. 3/8" Scr.*	
2	712-0287		Hex Nut 1/4-20 Thd.*		47	—		Transaxle (See Breakdown)	
3	720-0165		Knob—Blade Clutch		48	—		Part of Ref. No. 47	
4	736-0329		L-Wash. 1/4 I.D.*		49	—		Part of Ref. No. 47	
5	712-0271		Hex Sems Nut 1/4-20 Thd.*		50	—		Part of Ref. No. 47	
6	726-0106		Push Cap 1/4" Rod		51	13012		Transaxle Support	
7	747-0513		Blade Clutch Lever	N	52	736-0169		L-Wash. 3/8" Scr.*	
8	13950		Deck Clutch Control Brkt.		53	710-0216		Hex Scr. 3/8-16 x .75" Lg.*	
9	710-0106		Hex Scr. 1/4-20 x 1.25" Lg.*		54	712-0375		Hex L-Nut 3/8-16 Thd.	
10	735-0126		Rubber Wash. .330 I.D. x .87		56	732-0157		Ext. Spring—Brake Return	
11	736-0173		FI-Wash. 1/4" I.D. x .75" O.D. x .057		57	732-0308		Ext. Spring—Deck Idler Return	
12	712-0107		Hex Cent. L-Nut 1/4-20 Thd.		58	712-0158		Hex L-Nut 5/16-18 Thd.	
13	712-0267		Hex Nut 5/16-18 Thd.*		59	13833		Parking Brake Cam Mtg. Brkt.	
14	736-0119		L-Wash. 5/16" Scr.*		60	712-0267		Hex Nut 5/16-18 Thd.*	
15	710-0201		Hex Scr. 3/8-16 x .62" Lg.*		61	710-0442		Hex Scr. 5/16-18 x 1.50" Lg.*	
16	738-0143		Shld. Scr. 1/2" Dia. x .335 Lg. 3/8-16		62	710-0599		Hex Thd. Rolling Scr. 1/4-20 x .50" Lg.	
17	731-0483		Convolute Conduit .50 I.D. x 4" Lg.		63	710-0216		Hex Scr. 3/8-16 x .75" Lg.*	
18	738-0155		Shld. Scr. 7/16 Dia. x .16" 5/16-18		64	710-0726		Hex AB-Tap Scr. 5/16 x .75" Lg.	
19	710-0376		Hex Scr. 5/16-18 x 1.00" Lg.*		65	710-0344		Hex Scr. 3/8-16 x 1.50" Lg.*	
20	13826		Idler Mtg. Brkt.—Deck		66	13813		Hitch Plate	
21	13893		Idler Brkt. Ass'y.		67	710-0601		Hex Thd. Rolling Scr. 5/16-24 x .75" Lg.	
22	712-0181		Hex L-Nut 3/8-16 Thd.*		70	720-0165		Knob—Transaxle	
24	756-0293		4"—"V" Idler Pulley		71	13848		Side Panel Upper Frame—R.H.	
25	736-0300		FI-Wash. 3/8" I.D.		72	13847		Side Panel Upper Frame—L.H.	
26	710-0342		Hex Scr. 3/8-16 x 1.25" Lg.*		73	710-0216		Hex Scr. 3/8-16 x .75" Lg.*	
27	714-0104		Hairpin Cotter 5/16" Rod		74	736-0147		Ext. L-Wash. #10 Scr.*	
28	748-0278		Spacer		75	712-0121		Hex Nut #10-24 Thd.*	
29	712-0267		Hex Nut 5/16-18 Thd.*		76	725-0465		Safety Switch (Deck)	
30	736-0119		L-Wash. 5/16" Scr.*		77	710-0473		Truss Mach. Scr. #10-24 x .50" Lg.*	
31	732-0260		Ext. Spring—Brake Rod		78	738-0155		Shld. Scr. 7/16" Dia. x .16" Lg. 5/16-18	
32	712-0375		Hex Cent. L-Nut 3/8-16 Thd.		79	710-0599		Hex Thd. Rolling Scr. 1/4-20 x .50" Lg.	
33	761-0178		Disc Brake Caliper Ass'y.		80	HU-20-9764		Washer	
34	738-0155		Shld. Scr. 7/16" Dia. x .16" Lg. 5/16-18		81	HU-B003770066		Housing with Lever & Pin	
35	13833		Parking Brake Cam Mtg. Brkt.		82	HU-16-13807		Anvil	
36	712-0267		Hex Nut 5/16-18 Thd.*		83	HU-39-13775		Pin, Adjuster	
37	736-0119		L-Wash. 5/16" Scr.*		84	HU-37-13818		Nut	
38	714-0104		Hairpin Cotter 5/16" Dia.		85	HU-39-13774		Pin, Actuator	
39	732-0478		Ext. Spring—Deck Control		86	HU-25-13808		Backing Plate	
40	13887		Deck Control Pivot Brkt.		87	HU-24-13772		Lining	
41	747-0307		Deck Control Rod		88	738-0255		Shld. Bolt .375" Dia. x .180" Lg. 1/4-20 Thd.	
42	710-0937		Hex Scr. 3/8-16 x 2.50" Lg.*		89	736-0141		Wave Washer	
43	761-0142		Hub & Disc Ass'y. (For Brake)						
44	714-0137		Hi-Pro Key 3/16 x 3/4" Lg.						
45	712-0798		Hex Nut 3/8-16 Thd.*						

*For faster service obtain standard nuts, bolts and washers locally. If these items cannot be obtained locally, order by part number and size shown on parts list.

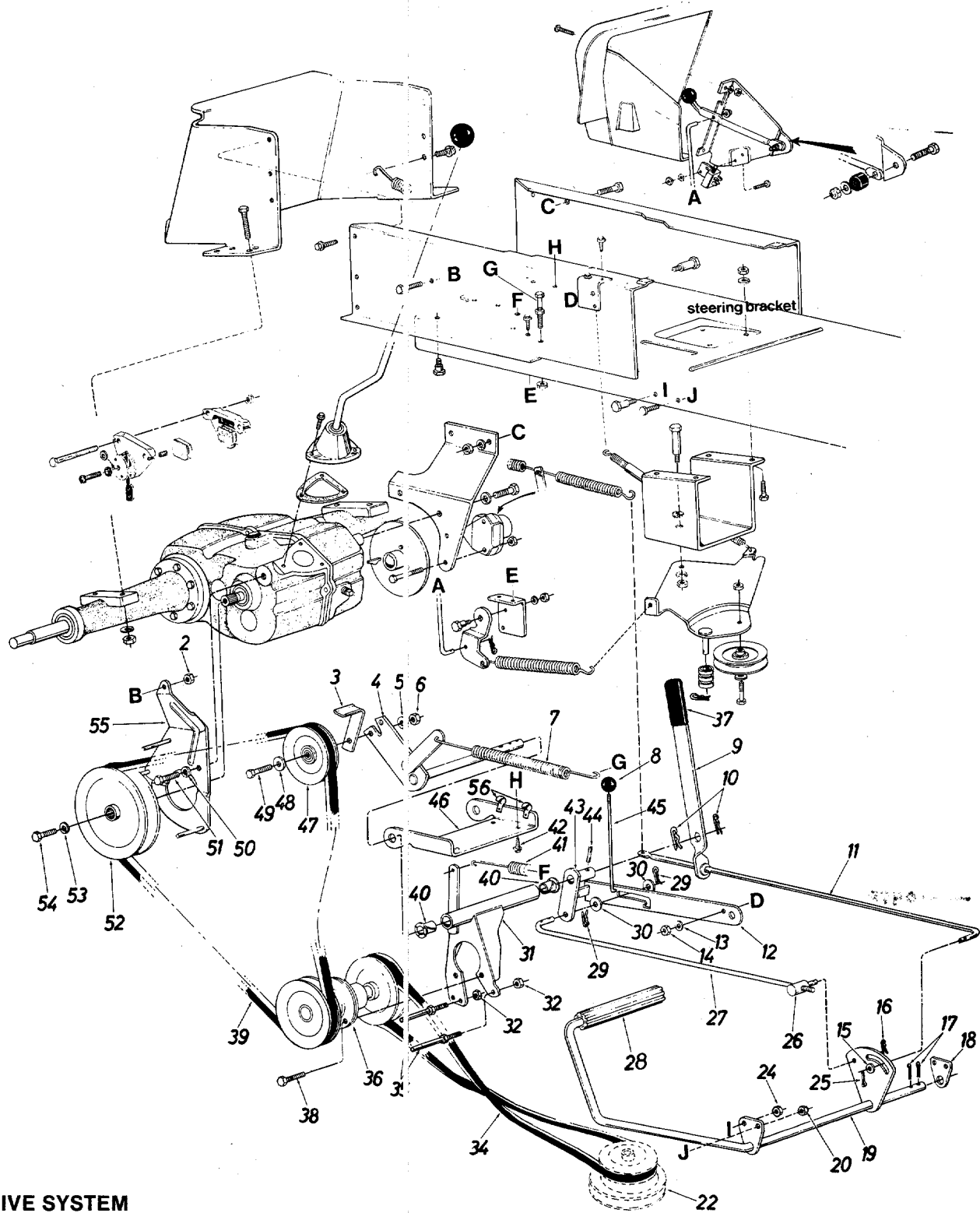
(462—Red Flake)

When ordering parts if color is (important, use the appropriate color code listed above. (e.g. 12369—462—Red Flake.)

Models 810 thru 837

For parts on top of this page refer to page 22.

IMPORTANT: Belts listed by Part Number are of special construction and should be used when replacement is necessary. The dimensions and description given are for general reference only and belts purchased by description and dimension generally will only provide temporary service.



DRIVE SYSTEM

Models 810 thru 837

PARTS LIST FOR DRIVE SYSTEM MODELS 810 THRU 837

REF. NO.	PART NO.	COLOR CODE	DESCRIPTION	NEW PART	REF. NO.	PART NO.	COLOR CODE	DESCRIPTION	NEW PART
2	712-0375		Hex L-Nut 3/8-16 Thd.		32	712-0181		Hex Top L-Nut 3/8-16 Thd.	
3	13819		Belt Guard (Clutch Idler)		34	754-0245		"V"-Belt 1/2 x 59" Lg. (Polyester)	
4	13815		Clutch Brkt. Ass'y.					Stud 3/8-16 x 3.62" Lg. Special	
5	736-0169		L-Wash. 3/8" Scr.*		35	711-0696		Jack Shaft Ass'y.	
6	712-0798		Hex Nut 3/8-16 Thd.*					Flat Grip	
7	732-0384		Ext. Spring (Drive Idler)		36	756-0324		Hex Sem Scr. 5/16-18 x .75" Lg.*	
8	720-0166		Knob (Parking Brake)		37	720-0189		"V"-Belt 1/2 x 40" Lg. (Kevlar)	
9	13872		Hand Brake Lever		38	710-0198		Nyliner 5/8" I.D. x .88" Lg.	
10	714-0117		Hairpin Cotter 5/8" Dia.					Ext. Spring (Jack Shaft)	
11	747-0304		Brake Rod		39	754-0244		Hex Thd. Rolling Scr. 1/4-20 x .50" Lg.	
12	13832		Parking Brake Cam					Clutch-Idler Horn Ass'y.	
13	736-0119		Fl-Wash. 5/16" Scr.		40	741-0295		Spring Pin Spiral 1/4" Dia. x 1.00" Lg.	
14	712-0267		Hex Nut 5/16-18 Thd.*		41	732-0153		Parking Brake Link	
15	736-0275		Fl-Wash. 5/16" Scr.		42	710-0599		Idler Mtg. Brkt.—Drive	
16	714-0145		Hairpin Cotter 3/8" Rod					4" "V"-Idler Pulley	
17	714-0115		Cotter Pin 1/8" Dia. x 1.00" Lg.*		43	13871		Fl-Wash. 3/8" I.D.	
					44	715-0108		Hex Scr. 3/8-16 x 1.75" Lg.*	
18	13859		Clutch Rod Brg. Brkt.					L-Wash. 3/8" Scr.*	
19	13856		Clutch—Brake Pedal Ass'y.		45	747-0300		Hex Scr. 3/8-16 x .75" Lg.*	
20	712-0375		Hex Cent. L-Nut 3/8-16 Thd.*		46	13822		"V"-Pulley 7.0" O.D. (Transaxle)	
22	756-0328		Engine Pulley 4.75 & 5.56		47	756-0293		L-Wash. 3/8" Scr.*	
24	712-0375		Hex Cent. L-Nut 3/8-16 Thd.*		48	736-0300		Hex Scr. 3/8-24 x .75" Lg.*	
25	714-0115		Cotter Pin 3/32" Dia. x .75" Lg.*		49	710-0347		Belt Guard Ass'y.	
26	711-0198		Pivot Bushing		50	736-0169		Plastic Hose Clamp	
27	747-0306		Brake Cam Rod		51	710-0216			
28	735-0196		Foot Pad		52	756-0332			
29	714-0145		Hairpin Cotter 3/8" Rod		53	736-0169			
30	736-0101		Fl-Wash. 3/8" I.D. x 1.00" O.D. x .030		54	710-0180			
					55	13829			
31	13823		Jack Shaft Mtg. Brkt. Ass'y.		56	726-0193			

Models 810 thru 837

PARTS LIST FOR STEERING MODELS 810 THRU 837

REF. NO.	PART NO.	COLOR CODE	DESCRIPTION	NEW PART	REF. NO.	PART NO.	COLOR CODE	DESCRIPTION	NEW PART
1	731-0220		Steering Wheel Cap		32	710-0180		Hex Scr. 3/8-24 x .75" Lg. Grade 5	
2	712-0158		Hex Cent. L-Nut 5/16-18 Thd.					FI-Wash. 3/8 I.D. x 1.25 O.D. x .090	
3	736-0242		Bell-Wash. 5/16" I.D. x .87" O.D. x .060		33	736-0133		Flange Double "D" Brg. .753 I.D.	
4	731-0356		Steering Wheel		34	741-0199		Steering Arm Shaft Ass'y.	
5	741-0225		Plastic Hex Bearing 5/8" I.D.†		35	12749		Side Gear—Steering	
7	710-0258		Hex Scr. 1/4-20 x .62" Lg.		36	748-0236		Bell-Wash. 3/8" I.D.	
8	712-0113		Wing Nut Plastic 1/4-20 Thd.		37	736-0105		Hex Cent. L-Nut 5/16-24 Thd.	
9	731-0707		Battery Cover		38	712-0237		FI-Wash. 5/16" I.D. x .62 O.D. x .059	
10	725-0453		12-V Battery		39	736-0264		Pinion Gear—Steering	
11	736-0329		L-Wash. 1/4" Scr.*		40	748-0237		Drag Link	
12	712-0287		Hex Nut 1/4-20 Thd.*		41	747-0302		Hex Nylon Scr. 3/8-16 x 1.25" Lg.	
13	710-0599		Hex Thd. Rolling Scr. 1/4-20 x .50" Lg.		42	710-0670		Hex Nut 3/8-16 Thd.*	
14	711-0222		Battery Hold Down Rod		43	712-0798		Steering Gear Sup. Ass'y.	
15	13379		Battery Plate		44	12850		Steering Shaft†	
16	710-0533		Hex Scr. 5/8-18 x 2.50" Lg.*		45	738-0317		L-Wash. 3/8" Scr.*	
17	736-0282		Flat Wash. .66" I.D. x 2.25" O.D. x .17		46	736-0169		Hex Nut 3/8-24 Thd.*	
18	712-0923		Hex Cent. L-Nut 5/8-18 Thd.		47	712-0241		Solenoid	
19	13865		Front Pivot Bar Ass'y.		48	725-0771		Hex Scr. 1/4-20 x .62" Lg.	
20	13839		Front Axle Ass'y.—L.H.		49	710-0258		Hex Nut 1/4-20 Thd.*	
21	736-0169		L-Wash. 3/8" Scr.*		50	712-0287		L-Wash. 1/4" Scr.*	
22	712-0711		Hex Jam Nut 3/8-24 Thd.		51	736-0329		Steering Bellow††	
23	723-0156		Ball Joint Ass'y.		52	731-0559		Upper Steering Shaft††	
24	747-0301		Tie Rod		53	14775		Oval Hd. Cr.-Sunk Scr. #10 x 5/8" Lg.††	
25	13838		Front Axle Ass'y.—R.H.		54	710-0837		FI-Bearing .89" I.D. x 1.36" O.D.††	
26	736-0316		FI-Wash. .780 I.D. x 1.59 O.D.		55	741-0356		Hairpin Cotter††	
27	**		Flange Bearing		56	714-0147		Clevis Pin††	
28	**		Front Wheel Ass'y. Comp.		57	711-0684		Lower Steering Shaft††	
29	**		Front Wheel Rim Only		58	738-0588			
30	731-0484		Dust Cover						
31	714-0121		Cotter Pin 5/32" Dia. x 1.00" Lg.*						

The engine is not under warranty by the mower manufacturer. If repairs or service is needed on the engine, please contact your nearest authorized engine service outlet. Check the "Yellow Pages" of your telephone book under "Engines—Gasoline."

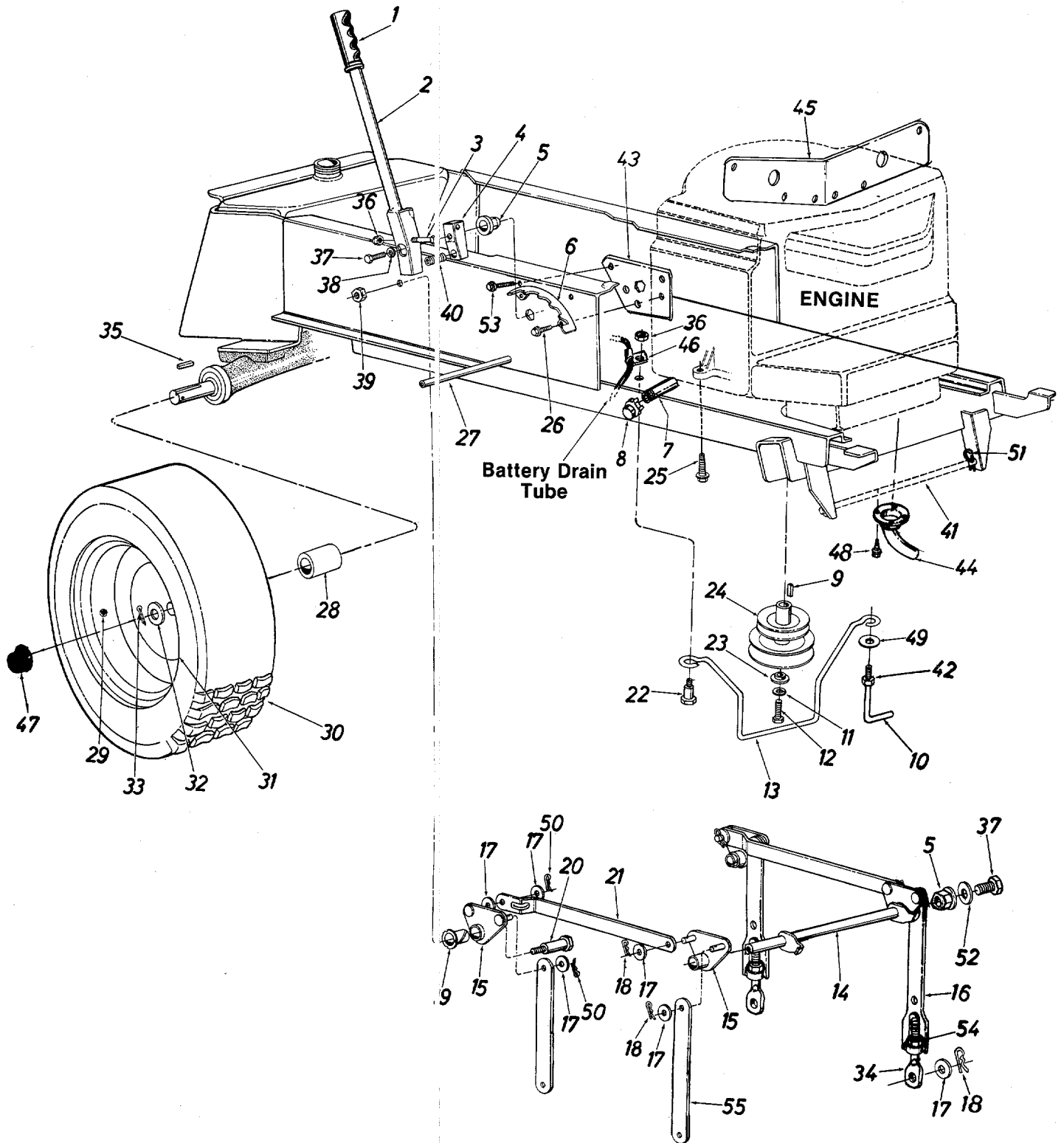


†Models 810, 822, 824, 826, 832, 834 and 836, only.
††Models 811, 823, 825, 827, 833, 835 and 837 only.

**FRONT WHEEL CHART

Description	16 x 6.50—Part No.	16 x 6.50—Part No.	15 x 6.00—Part No.
	Rib Tread	Turf Tread	Rib Tread
Wheel Assembly Comp.	734-1006	734-1223	734-0960
Tire Only	734-0526	734-0275	734-0498
Rim Only	734-0787	734-0787	734-0961
Bearing	741-0312	741 734-0312	741-0382
Air Valve	734-0255	734-0255	734-0255
Grease Fitting	737-0146	734-0146	737-0146

Models 810 thru 837



DECK LINKAGE

Models 810 thru 837

PARTS LIST FOR DECK LINKAGE MODELS 810 THRU 837

REF. NO.	PART NO.	COLOR CODE	DESCRIPTION	NEW PART	REF. NO.	PART NO.	COLOR CODE	DESCRIPTION	NEW PART
1	720-0157		Grip		29	734-0255		Air Valve	
2	14233		Lift Handle Ass'y.		30	**		Rear Wheel Ass'y. Comp.	
3	710-0442		Hex Scr. 5/16-18 x 1.50" Lg.*		31	**		Rear Wheel Rim Only	
4	748-0274		Lift Shaft Drive		32	736-0345		Flat Washer	
5	741-0225		Plastic Hex Brg. 5/8" I.D.		33	714-0142		Cotter Pin 3/16" Dia. x 1.50" Lg.	
6	14231		Index Brkt. Deck Lift		34	711-0773		Eye Bolt Adj. Link 1/2-13 Thd.	
7	737-0164		Pipe Nipple 3/8-18 Npt.		35	714-0120		Sq. Key 1/4 x 3.0"	
8	737-0143		Pipe Cap 3/8-18 Npt.		36	712-0158		Hex Cent. L-Nut 5/16-18 Thd.	
9	714-0118		Sq. Key 1/4" x 1/4" x 1.50" Lg.		37	710-0237		Hex Scr. 5/16-24 x .62" Lg.*	
10	747-0216		Belt Guard Lock Pin		38	736-0119		L-Wash. 5/16" Scr.*	
11	736-0171		L-Wash. 7/16" Scr.*		39	712-0181		Hex Top L-Nut 3/8-16 Thd.	
12	710-0757		Hex Scr. 7/16-20 x 1.50" Lg.		40	732-0369		Compression Spring	
13	747-0299		Belt Guard		41	738-0392		Deck Connecting Rod	
14	13889		Lift Shaft Ass'y.		42	712-0123		Hex Nut 5/16-24 Thd.*	
15	13895		Lift Pivot Brkt. Ass'y.		43	14170		Index Brkt. Reinforcement Plate	
16	16092		Adj. Deck Lift Link		44	751-0275		Exhaust Pipe (16 and 18 H.P.)	
17	736-0192		Fl-Wash. 1/2" I.D. x 1.00" O.D. x .090		45	14282		Heat Shield (832, 834 and 836)	
18	714-0101		Hairpin Cotter			15826		Heat Shield†	
19	741-0295		Nyliner 5/8" I.D. x .88" Lg.		46	726-0175		Mounting Clamp (16 and 18 H.P.)	
20	738-0445		Shld. Scr. 5/8" Dia. x .96" Lg. 3/8-16		47	731-0556		Hub Cap	
21	13790		Connecting Link		48	710-0224		Hex Wash. Hd. AB-Tap Scr. #10 x .50" Lg.	
22	738-0296		Shld. Scr. .437 Dia. x .268 Lg. 5/16-18		49	736-0242		Belle-Wash. .39" I.D.	
23	736-0322		Flat Wash. .44" I.D. x 1.25" O.D. x .17		50	714-0111		Cotter Pin .09 Dia. x 1.0" Lg.	
24	756-0328		Two-Step Engine Pulley 4.75" & 5.56		51	714-0149		Int. Cotter Pin	
25	710-0502		Hex Wash. Hd. Scr. 3/8-16 x 1.25" Lg.		52	736-0231		Flat Wash. .34" I.D. x 1.12" O.D. x .125	
26	710-0600		Hex Thd. Rolling Scr. 5/16-24 x .50" Lg.		53	710-0726		Hex Wash. Hd. AB-Tap Scr. 5/16 x .62" Lg.	
27	738-0435		Running Board Rod		54	712-0206		Hex Nut 1/2-13 Thd.	
28	750-0490		Spacer 1.0" I.D. x 1.25" O.D. x 2.12" Lg.		55	14399		Deck Link	

The engine is not under warranty by the mower manufacturer. If repairs or service is needed on the engine, please contact your nearest authorized engine service outlet. Check the "Yellow Pages" of your telephone book under "Engines — Gasoline."

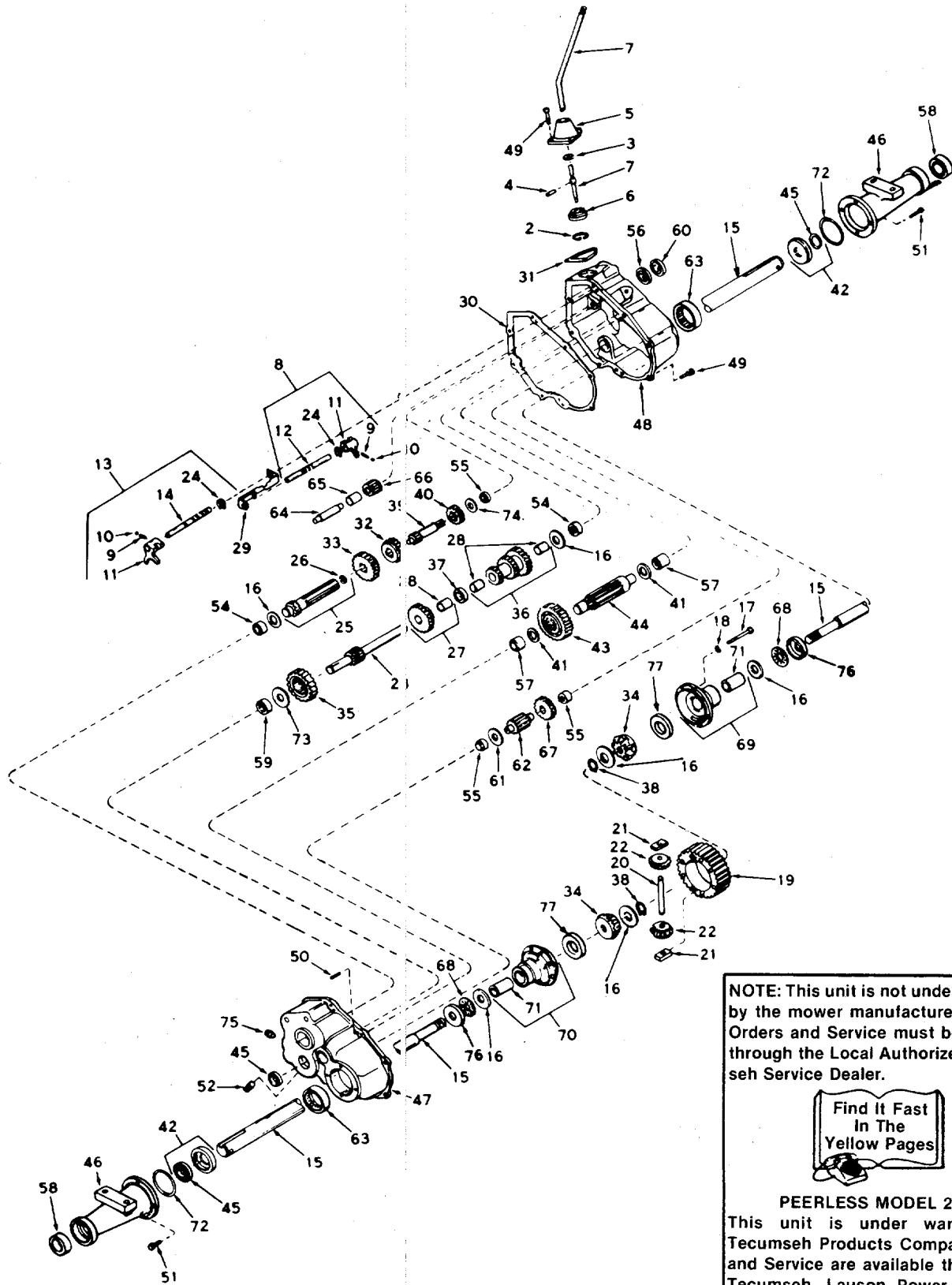


†Models 823, 825, 827, 833, 835 and 837.

**REAR WHEEL CHART

Description	23 x 9.50—Part No.	22 x 7.50—Part No.
Wheel Assembly Comp.	734-1005	734-1004
Tire Only	734-0322	734-0967
Rim Only	734-1015	734-1015

Models 810 thru 837



NOTE: This unit is not under warranty by the mower manufacturer. All Part Orders and Service must be handled through the Local Authorized Tecumseh Service Dealer.



PEERLESS MODEL 2351
 This unit is under warranty by Tecumseh Products Company. Parts and Service are available through all Tecumseh, Lauson Power Products Service Dealers. Check the "Yellow Pages" of your telephone directory under "Engines—Gasoline."

TRANSAXLE MODEL 2351 (717-0450)

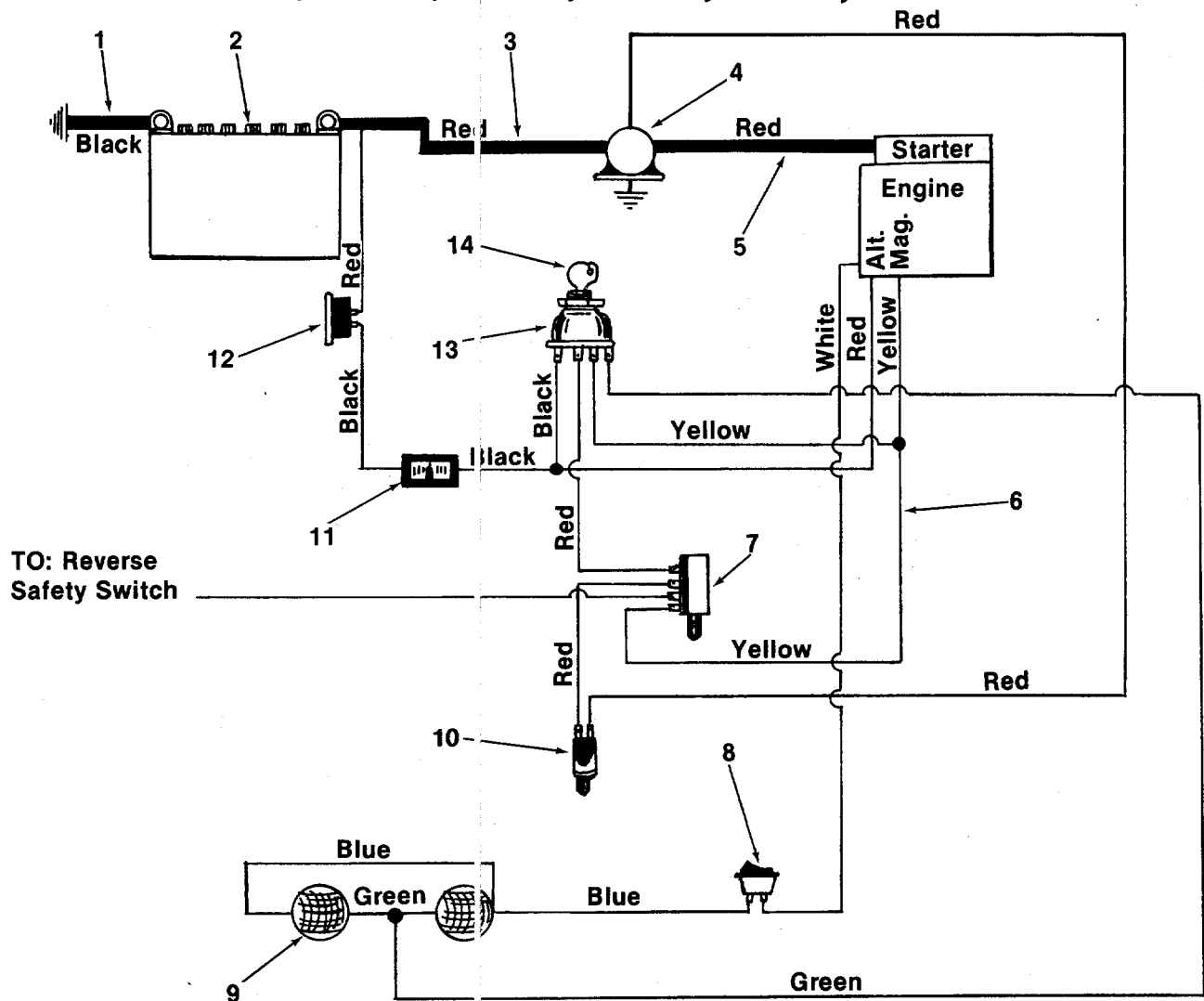
Models 810 thru 837

PARTS LIST FOR TRANSAXLE PEERLESS MODEL 2351 (717-0450)

REF. NO.	PART NO.	COLOR CODE	DESCRIPTION	NEW PART	REF. NO.	PART NO.	COLOR CODE	DESCRIPTION	NEW PART
2	PE-792016		Ring, Snap		41	PE-780052		Washer, Thrust	
3	PE-792001		Ring, Quad		42	PE-788021		Seal and Retainer Ass'y., Oil (Incl. No. 45)	
4	PE-792049		Pin, Roll					Gear, Output	
5	PE-784093		Housing, Shift Lever		43	PE-778036		Pinion, Output	
6	PE-784094		Keeper, Shift Lever		44	PE-776028		Seal, Oil	
7	PE-784308		Lever, Shift		45	PE-788008		Housing, Axle	
8	PE-784054		Rod Ass'y., Shift (Incl. Nos. 9 thru 12 and 24)		46	PE-782025		Cover Ass'y., Transaxle (Incl. Nos. 54, 55, 57, 59 and 63)	
9	PE-792003		Spring		47	PE-772016A		Case Ass'y., Transaxle (Incl. Nos. 54, 55, 57 and 63)	
10	PE-792004		Ball, Steel					Screw, Socket Hd., 1/4-20 x 3/4	
11	PE-784004		Fork, Shifter		48	PE-770012		Pin, Dowel	
12	PE-784055		Rod, Shifter (3rd and 4th)					Screw, Hex Hd. Sems, 5/16-18 x 1	
13	PE-784056		Rod Ass'y., Shift (Incl. Nos. 9, 10, 11, 14 and 24)		49	PE-792007		Plug, Magnetic Drain	
14	PE-784057		Rod, Shifter (Low)					Bearing, Needle	
15	PE-774433		Axle (18-11/32" Long)		50	PE-786026		Bearing, Needle	
16	PE-780042		Washer, Thrust		51	PE-792037		Bearing, Ball	
17	PE-792005		Scr., Hex Hd., 1/4-20 x 2 1/2					Bearing, Needle	
18	PE-792006		Lock Washer, 1/4"		52	PE-792019		Bearing, Needle	
19	PE-778033A		Gear, Ring		54	PE-780049		Bearing, Ball	
20	PE-786019		Pin, Drive		55	PE-530105		Bearing, Ball	
21	PE-786027		Block, Drive		56	PE-780024		Bearing, Needle	
22	PE-778094		Pinion, Bevel		57	PE-780047		Bearing, Needle	
23	PE-776029A		Shaft and Gear, Brake		58	PE-780050		Bearing, Needle	
24	PE-792017		Ring, Snap		59	PE-780046		Seal, Oil	
25	PE-776189A		Shaft and Bearing Ass'y., Pinion (Incl. No. 26)		60	PE-788025		Washer	
26	PE-780018		Bearing, Needle		61	PE-780001		Shaft and Pinion	
27	PE-778034		Gear Cluster Ass'y. (Incl. No. 28)		62	PE-776031		Bearing, Needle	
28	PE-780053		Bushing		63	PE-780048		Shaft, Reverse Idler	
29	PE-784074		Stop, Shifter		64	PE-776030		Spacer, Reverse Idler	
30	PE-788023		Gasket, Case and Cover		65	PE-786025		Idler, Reverse	
31	PE-788022		Gasket, Shifter Lever Housing		66	PE-778016		Spur Gear (22 Teeth)	
32	PE-778019A		Gear, Shifting (3rd and 4th)		67	PE-778038		Bearing, Thrust	
33	PE-778020		Gear, Shifting (1st, 2nd and Rev.)		68	PE-780039		Carrier Ass'y., Differential (Incl. No. 71)	
34	PE-778095		Gear, Bevel		69	PE-774072A		Carrier Ass'y., Differential (Incl. No. 71)	
35	PE-778037		Gear, Idler		71	PE-780041		Bushing	
36	PE-778035A		Gear Cluster Ass'y. (Incl. No. 28)		72	PE-788024		"O" Ring	
37	PE-786024		Spacer		73	PE-780007		Washer, Thrust	
38	PE-792018		Ring, Snap		74	PE-780051		Washer, Thrust	
39	PE-776175		Shaft, Input		75	PE-792010		Plug, Pipe	
40	PE-778024A		Spur Gear, Input Shaft		76	PE-780075		Race, Thrust	
					77	PE-780107		Washer	

*Shift lever is not shipped with transaxle. Order separately.

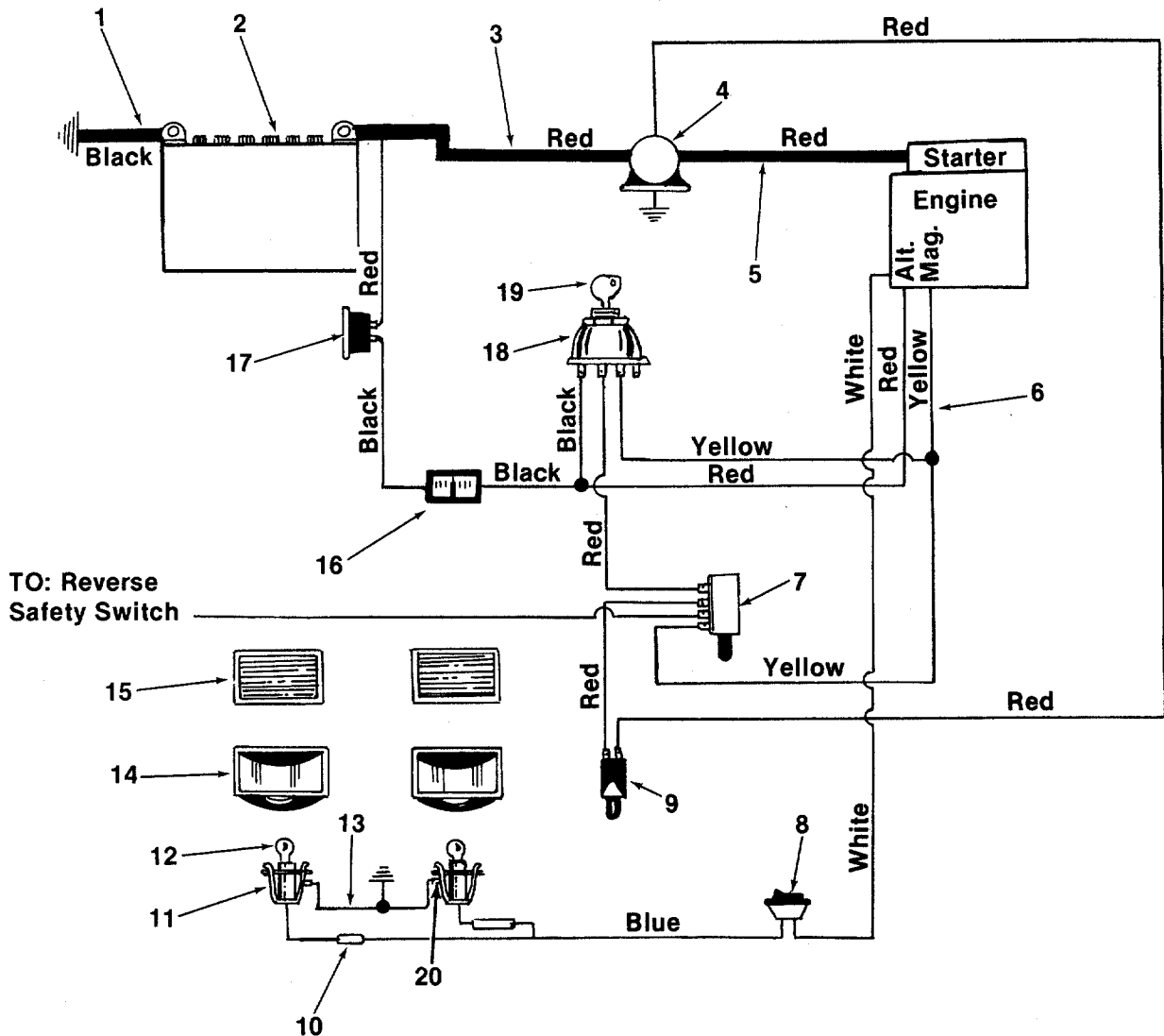
Models 810, 822, 824, 826, 832, 834 and 836



PARTS LIST FOR ELECTRICAL SYSTEM MODELS 810, 822, 824, 826, 832, 834 AND 836

REF. NO.	PART NO.	DESCRIPTION
1	725-0996	Electric Ground Wire (Black Negative)
2	725-0453	12V-Battery
3	725-0561	Electric Wire (Red Positive) (16 and 18 H.P.)
	725-0564	Electric Wire (Red Positive) (11 H.P.)
4	725-0771	Solenoid
5	725-0563	Electric Wire (16 and 18 H.P.)
	725-0564	Electric Wire (11 H.P.)
6	725-1021	Wire Harness (16 and 18 H.P.)
	725-1020	Wire Harness (11 H.P.)
7	725-0465	Safety Switch (P.T.O.)
8	725-0634	Light Switch
9	725-0222	Head Lights
10	725-0268	Safety Switch (Clutch)
11	725-0925	Ammeter
12	725-0459	Circuit Breaker
13	725-0267	Ignition Switch
14	725-0201	Ignition Key

Models 811, 823, 825, 827, 833, 835 and 837



**PARTS LIST FOR ELECTRICAL SYSTEM MODELS
811, 823, 825, 827, 833, 835 AND 837**

REF. NO.	PART NO.	DESCRIPTION	REF. NO.	PART NO.	DESCRIPTION
1	725-0996	Electric Wire (Black Negative)	8	725-0634	Light Switch
2	725-0453	12V-Battery	9	725-0268	Safety Switch (Clutch)
3	725-0561	Electric Wire (Red Positive) (16 and 18 H.P.)	10	725-0717	Tab Receptacle
	725-0564	Electric Wire (Red Positive) (11 H.P.)	11	725-1058	Socket
4	725-0771	Solenoid	12	725-0963	Lamp
5	725-0563	Electric Wire (16 and 18 H.P.)	13	725-0916	Ground Wire
	725-0564	Electric Wire (11 H.P.)	14	731-0705	Head Light Housing
6	725-1027	Wire Harness (16 and 18 H.P.)	15	731-0706	Lens
	725-1028	Wire Harness (11 H.P.)	16	725-0925	Ammeter
7	725-0465	Safety Switch (P.T.O.)	17	725-0459	Circuit Breaker
			18	725-0267	Ignition Switch
			19	725-0201	Ignition Key
			20	726-0226	Push On Ground Clip

1
2
3
4
5
6
7
8
9
10
11
12
13
14
15
16
17
18
19
20
21
22
23
24
25
26
27
28
29
30
31
32
33
34
35
36
37
38
39
40
41
42
43
44
45
46
47
48
49
50
51
52
53
54
55
56
57
58
59
60
61
62
63
64
65
66
67
68
69
70
71
72
73
74
75
76
77
78
79
80
81
82
83
84
85
86
87
88
89
90
91
92
93
94
95
96
97
98
99
100

PARTS INFORMATION

POWER EQUIPMENT PARTS AND SERVICE

Parts and service are available through the authorized service firms listed below. All orders should specify the model number of your unit, part numbers, description of parts and the quantity of each part required.

NOTE: If any parts are found to be missing or defective upon assembly of this unit, write to advise the factory so that immediate replacement can be made.

ALABAMA	BIRMINGHAM	
Auto Electric & Carburetor Co.	2625 4th Ave. S.	35233
ARKANSAS	NORTH LITTLE ROCK	
Sutton's Lawn Mower Shop	5301 Roundtop Drive Box 368, Rt. 4	72117
CALIFORNIA	PORTERVILLE	
Billious	75 North D Street	93257
COLORADO	DENVER	
Spitzer Industrial Products Co.	6601 N. Washington St.	80229
FLORIDA	JACKSONVILLE	
Radco Distributors	4909 Victor St. Box 5459	32207
	HIALEAH	
Small Eng. Dist.	7995 W. 26th Court ...	33016
GEORGIA	EAST POINT	
East Point Cycle & Key Inc.	2834 Church St.	30344
ILLINOIS	LYONS	
Keen Edge Co.	8615 Ogden Ave.	60534
INDIANA	ELKHART	
Parts & Sales Inc.	2101 Industrial Pkwy. .	46516
IOWA	DUBUQUE	
Power Lawn & Garden Equip.	2551 J.F. Kennedy ...	52001
LOUISIANA	NEW ORLEANS	
Suhren Engine Co.	8330 Earhart Blvd.	70118
MARYLAND	TAKOMA PARK	
Center Supply Co.	6867 New Hampshire Ave.	20912
MASSACHUSETTS	SPRINGFIELD	
Morton B. Collins Co.	300 Birnie Ave.	01107
MICHIGAN	LANSING	
Lorenz Service Co.	2500 S. Pennsylvania .	48910
	MOUNT CLEMENS	
Power Equipment Dist.	340 Hubbard	48043
MINNESOTA	HOPKINS	
Hance Distributing Inc.	420 Excelsior Ave. W. .	55343
MISSOURI	KANSAS CITY	
Automotive Equip. Service	3117 Holmes St.	64109
	ST. JOSEPH	
Ross-Frazier Supply Co.	8th and Monterey	64503
	ST. LOUIS	
Henzler, Inc.	2015 Lemay Ferry Rd. .	63125
NEW JERSEY	BELLMAWR	
Lawnmower Parts Inc.	717 Creek Rd.	08030
NEW MEXICO	ALBUQUERQUE	
Spitzer Eng. & Parts Co.	1023 Third Ave. N.W. .	87103
NEW YORK	CARTHAGE	
Gamble Dist., Inc.	West End Ave.	13619

BRIGGS AND STRATTON, TECUMSEH AND PEERLESS PARTS AND SERVICE

Briggs & Stratton, Tecumseh and Peerless parts and service should be handled by your nearest authorized engine service firm. Check the yellow pages of your telephone directory under the listing **Engines—Gasoline**, Briggs & Stratton or Tecumseh Lauson.

OHIO	CARROLL	
Stebe's Mid-State Mower Supply .	Box 366, 71 High St. . .	43112
	CLEVELAND	
Bleckrie, Inc.	7900 Lorain Ave.	44102
	WADSWORTH	
National Central	687 Seville Rd.	44281
	YOUNGSTOWN	
Burton Supply Co.	1301 Logan Ave. Box 929	44501
OKLAHOMA	MUSKOGEE	
Victory Motors, Inc.	605 S. Cherokee	74401
OREGON	PORTLAND	
Kenton Supply Co.	8216 N. Denver Ave. . .	97217
PENNSYLVANIA	HARRISBURG	
EECO Inc.	4021 N. 6th St.	17110
	PHILADELPHIA	
Thompson Rubber Co.	5222-24 N. Fifth St. . .	19120
	PITTSBURGH	
Bluemont Co.	11125 Frankstown Rd. .	15235
	PUNXSUTAWNEY	
Frank Roberts & Sons	R.D. 2	15767
	SCRANTON	
Scranton Auto Ignition Co.	1133-35 Wyoming Ave. .	18509
TENNESSEE	KNOXVILLE	
Master Repair Service	2000 Western Ave.	37921
	MEMPHIS	
American Sales & Service, Inc. .	3035-43 Bellbrook	38116
TEXAS	DALLAS	
Marr Brothers, Inc.	423 E. Jefferson	75203
	FORT WORTH	
Woodson Sales Corp.	6733 Baker Blvd. Hwy. 10	76118
	HOUSTON	
Bullard Supply Co.	2409 Commerce St. . .	77003
	SAN ANTONIO	
Engine House Inc.	8610 Botts Lane P.O. Box 17867	78217
UTAH	BOUNTIFUL	
Powered Products	485 N 500 W.	84010
VIRGINIA	ASHLAND	
RBI Corp.	101 Cedar Ridge Dr. . .	23005
WASHINGTON	SEATTLE	
Equip. Northwest	1410 14th Ave.	98122
WISCONSIN	CHILTON	
Horst Dist. Inc.	444 N. Madison St.	53014
NORTH CAROLINA	GOLDSBORO	
Smith Hardware Co.	515 N. George St.	27530
	GREENSBORO	
Dixie Sales Company	335 N. Green	27402

WARRANTY PARTS AND SERVICE POLICY

(0484)

The purpose of warranty is to protect the customer from defects in workmanship and materials, defects which are NOT detected at the time of manufacture. It does not provide for the unlimited and unrestricted replacement of parts. Use and maintenance are the responsibility of the customer. The manufacturer cannot assume responsibility for conditions over which it has no control. Simply put, if it's the manufacturer's fault, it's the manufacturer's responsibility; if it's the customer's fault, it's the customer's responsibility.

CLAIMS AGAINST THE MANUFACTURER'S WARRANTY INCLUDES:

1. Replacement of Missing Parts on new equipment.
2. Replacement of Defective Parts within the warranty period.
3. Repair of Defects within the warranty period.

All claims MUST be substantiated with the following information:

1. Model Number of unit involved.
2. Date unit was purchased or first put into service.
3. Date of failure.
4. Nature of failure.

MTD PRODUCTS INC • P.O. BOX 36900 • CLEVELAND, OHIO 44136