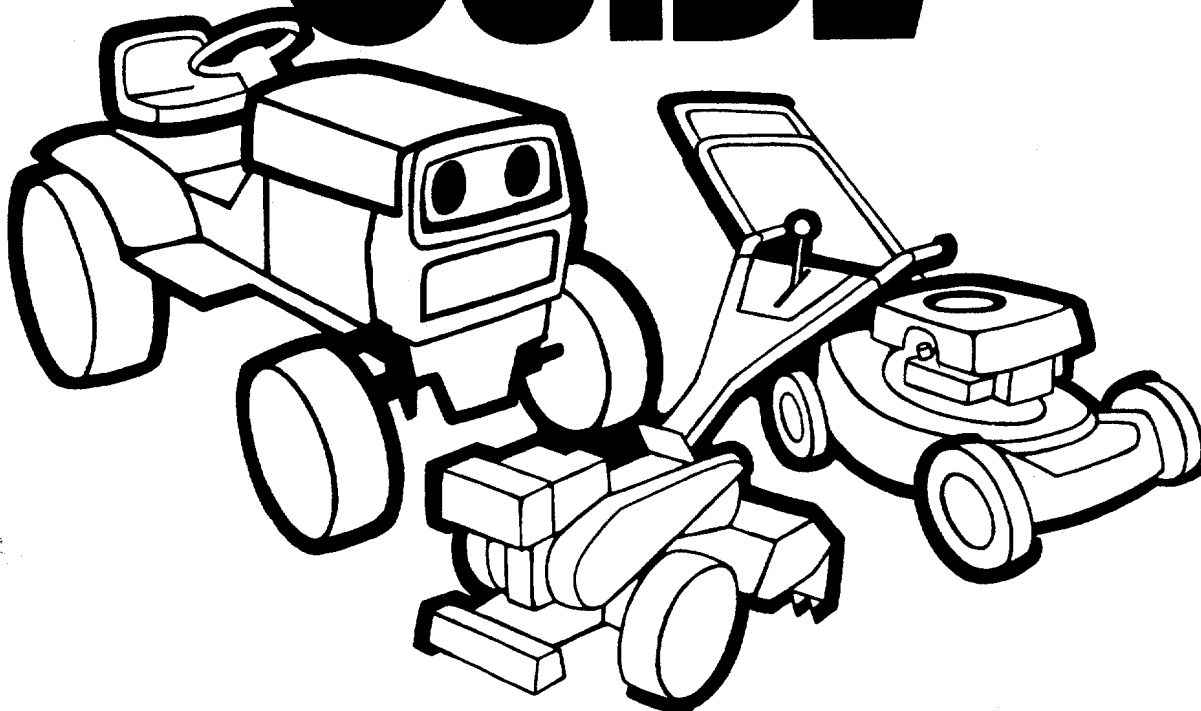


\$1.00

# OWNER'S GUIDE



**TRANSMATIC  
TWIN  
CYLINDER  
FRONT ENGINE  
LAWN  
TRACTORS**

**Model Numbers  
137-570-000  
thru  
137-587-000;  
137-660-000  
thru  
137-697-000**

**IMPORTANT: Read Safety Rules and Instructions Carefully**

Thank you for purchasing an American-built product.

FORM NO. 770-5906B

# INDEX

Slope Gauge .....	3
Contents of Hardware Pack .....	4
Rules for Safe Operation .....	5
Assembly Instructions .....	6
Controls .....	10
Operation .....	11
Adjustments .....	13
Lubrication .....	16
Maintenance .....	16
Off-Season Storage .....	19
Trouble Shooting Chart .....	20, 21
Illustrated Parts for Lawn Tractor .....	22-35
Electrical Systems .....	31
Illustrated Parts for Transaxle .....	36, 37
Parts Information .....	Back Cover

Dear Customer,

So often throughout the year we are all in a rush to meet our daily obligations.

However, we at MTD Products Inc are taking a quick moment out to say...

**"Thank you for your business."**

Sincerely,  
MTD PRODUCTS INC



**INSTRUCTIONS GIVEN WITH THIS SYMBOL ARE FOR PERSONAL SAFETY. BE SURE TO FOLLOW THEM.**

## LIMITED WARRANTY

For one year from the date of original retail purchase, MTD PRODUCTS INC will either repair or replace, at its option, free of charge, F.O.B. factory or authorized service firm, any part or parts found to be defective in material or workmanship. Transportation charges for the movement of any power equipment unit or attachment are the responsibility of the purchaser. Transportation charges for any parts submitted for replacement under this warranty must be paid by the purchaser unless such return is requested by MTD PRODUCTS INC.

This warranty will not apply to any part which has become inoperative due to misuse, excessive use, accident, neglect, improper maintenance, alterations, or unless the unit has been operated and maintained in accordance with the instructions furnished. This warranty does not apply to the engine, motor, battery, battery charger or component parts thereof. Please refer to the applicable manufacturer's warranty on these items.

This warranty will not apply where the unit has been used commercially.

Warranty service is available through your local authorized service dealer or distributor. If you do not know the dealer or distributor in your area, please write to the Customer Service Department of MTD.

The return of a complete unit will not be accepted by the factory unless prior written permission has been extended by MTD.

This warranty gives you specific legal rights. You may also have other rights which vary from state to state.

**WARNING:** This unit is equipped with an internal combustion engine and should not be used on or near any unimproved forest-covered, brush-covered or grass-covered land unless the engine's exhaust system is equipped with a spark arrester meeting applicable local or state laws (if any). If a spark arrester is used, it should be maintained in effective working order by the operator.

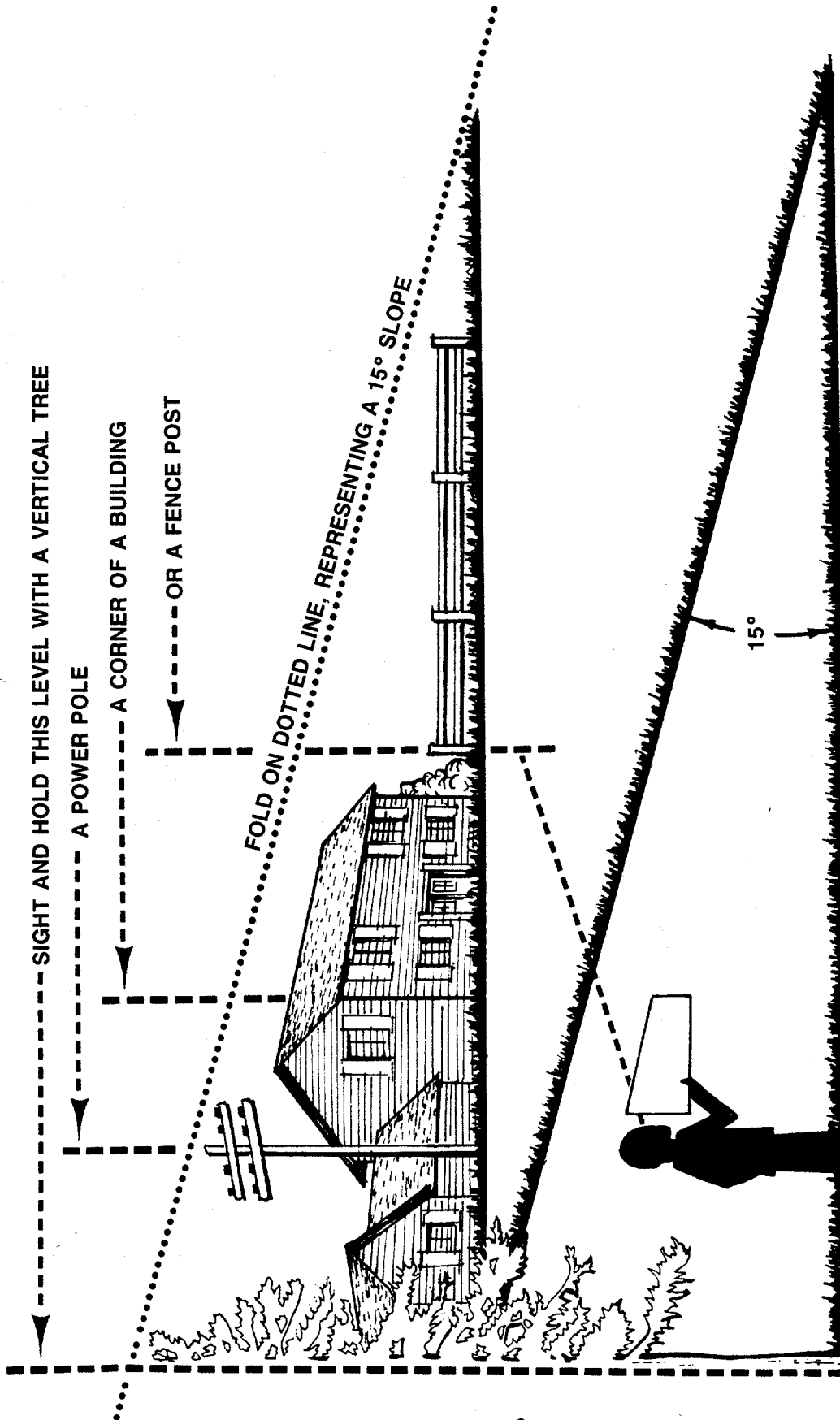
In the State of California the above is required by law (Section 4442 of the California Public Resources Code). Other states may have similar laws. Federal laws apply on federal lands. A spark arrester muffler is available at your nearest engine authorized service center.

# SLOPE GAUGE

(Keep this sheet in a safe place for future reference.)

Cut Along This Line

USE THIS SHEET AS A GUIDE TO DETERMINE SLOPES WHERE YOU MAY NOT OPERATE SAFELY.



Do not mow on inclines with a slope in excess of 15 degrees (a rise of approximately 2½ feet every 10 feet). A riding mower could overturn and cause serious injury. If operating a walk-behind mower on such a slope, it is extremely difficult to maintain your footing and you could slip, resulting in serious injury.

Operate RIDING mowers up and down slopes, never across the face of slopes.  
Operate WALK-BEHIND mowers across the face of slopes, never up and down slopes.

# CONTENTS OF HARDWARE PACK

Remove this sheet from your owner's manual and lay the hardware on the illustration for identification purposes. Refer to the separate deck manual for any assembly instructions concerning the deck and additional contents of hardware pack (if any). After assembly, keep the Slope Gauge which is on the reverse side of this sheet for future use.

(Hardware pack may contain extra items which are not used on your unit.)

## A INSTALLING THE BATTERY

(Black Plastic Battery Cover is Not Shown)

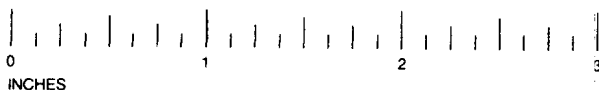
## B ATTACHING THE STEERING WHEEL

## C ATTACHING THE SEAT

## D IGNITION KEYS

(May Be Attached to Tractor)


Cut Along This Line



# IMPORTANT

## RULES FOR SAFE OPERATION



THIS SYMBOL POINTS OUT IMPORTANT SAFETY INSTRUCTIONS WHICH, IF NOT FOLLOWED, COULD ENDANGER THE PERSONAL SAFETY AND/OR PROPERTY OF YOURSELF AND OTHERS. READ AND FOLLOW ALL INSTRUCTIONS IN THIS MANUAL BEFORE ATTEMPTING TO OPERATE YOUR UNIT. FAILURE TO COMPLY WITH THESE INSTRUCTIONS MAY RESULT IN PERSONAL INJURY. WHEN YOU SEE THIS SYMBOL—  **HEED ITS WARNING.**



### DANGER

Your unit was built to be operated according to the rules for safe operation in this manual. As with any type of power equipment, carelessness or error on the part of the operator can result in serious injury. If you violate any of these rules, you may cause serious injury to yourself or others.

1. READ THIS OWNER'S MANUAL carefully in its entirety before attempting to assemble or operate this unit. Keep this manual in a safe place for future and regular reference and for ordering replacement parts.
2. This unit is a precision piece of power equipment, not a plaything. Therefore exercise extreme caution at all times.
3. Know the controls and how to stop the machine quickly.
4. Do not allow children to operate vehicle. Do not allow adults to operate it without proper instruction. Only persons well acquainted with these rules of safe operation should be allowed to use your mower.
5. Wear sturdy, rough-soled work shoes and close-fitting slacks and shirts to avoid entanglement in the moving parts. Never operate a unit in bare feet, sandals, or sneakers.
6. To prevent injury, do not carry passengers or give rides. Keep children, pets and bystanders out of the area while mowing. Only the operator should ride on the unit and only ride in the seat.
7. Check overhead clearance carefully before driving under power lines, guy wires, bridges or low hanging tree branches, before entering or leaving buildings, or in any other situation where the operator may be struck or pulled from the unit, which could result in serious injury.
8. To maintain control of the unit and reduce the possibility of upset or collision, operate the tractor smoothly. Avoid erratic operation and excessive speed.
9. Keep the area of operation clear of all persons, particularly small children and pets. Stop engine when they are in the vicinity of your mower. Although the area of operation should be completely cleared of foreign objects, a small object may have been overlooked and could be accidentally thrown by the mower in any direction and cause injury to you or a bystander.
10. Stop the blade(s) when crossing gravel drives, walks or roads.
11. Disengage all attachment clutches and shift into neutral before attempting to start engine.
12. Disengage power to attachment(s) and stop engine before leaving operating position.
13. Do not put hands or feet near or under rotating parts. Keep clear of the discharge opening at all times as the rotating blade(s) can cause injury.
14. Disengage power to attachment(s) and stop engine before making any repairs or adjustments. Disconnect the spark plug wire and keep the wire away from the plug to prevent accidental starting.
15. Before attempting to unclog the mower or discharge chute, stop the engine. The mower blade(s) may continue to rotate for a few seconds after the engine is shut off. Therefore, be sure the blade(s) have stopped completely. Disconnect the spark plug wire and keep the wire away from the plug to prevent accidental starting.
16. Disengage power to attachment(s) when transporting or not in use.
17. Take all possible precautions when leaving vehicle unattended such as disengaging power take-off, lowering attachments, shifting into neutral, setting parking brake, stopping engine and removing key.
18. For your safety, use the slope gauge included as part of this manual to measure slopes before operating this unit on a sloped or hilly area. If the slope is greater than 15° as shown on the slope gauge, do not operate this unit on that area or serious injury could result.
19. Do not stop or start suddenly when going uphill or downhill. Mow up and down face of steep slopes; never across the face. Use extreme caution if it is necessary to drive the tractor up an incline or back the tractor down an incline because the front of the tractor could lift and rapidly flip over backward which could cause serious injury.
20. Reduce speed on slopes and in sharp turns to prevent tipping or loss of control. Always keep the tractor in gear when going down steep hills to take advantage of engine braking action.
21. Stay alert for holes in terrain and other hidden hazards which may cause the unit to tip over.
22. Use care when pulling loads or using heavy equipment.
  - A. Use only approved drawbar hitch points.
  - B. Limit loads to those you can safely control.
  - C. Do not turn sharply. Use care when backing.
  - D. Use counterweight(s) or wheel weights when suggested in owner's manual.
23. Watch out for traffic when crossing or near roadways.
24. When using any attachments, never direct discharge of material toward bystanders nor allow anyone near vehicle while in operation.
25. Handle gasoline with care. It is highly flammable.
  - A. Use approved gasoline container.
  - B. Never remove cap or add gasoline to a running or hot engine or fill fuel tank indoors. Wipe up spilled gasoline.
  - C. Open doors if engine is run in garage. Exhaust fumes are dangerous. Do not run engine indoors.

## Rules for Safe Operation (continued)

26. Keep the vehicle and attachments in good operating condition, and keep safety devices in place. Use guards as instructed in operator's manual.
27. Keep all nuts, bolts, and screws tight to be sure the equipment is in safe working condition.
28. Never store the machine with fuel in the fuel tank inside a building where ignition sources are present, such as hot water and space heaters, clothes dryers, and the like. Allow the engine to cool before storing in any enclosure.
29. To reduce fire hazard, keep engine free of grass leaves or excessive grease.
30. The vehicle and attachments should be stopped and inspected for damage after striking a foreign object. The damage should be repaired before restarting and operating the equipment.
31. Do not change the engine governor settings or overspeed the engine.
32. When using the vehicle with mower, proceed as follows:
  - (1) Mow only in daylight or in good artificial light.
  - (2) Never make a cutting height adjustment while engine is running if operator must dismount to do so.
  - (3) Shut the engine off and wait until the blade comes to a complete stop before removing the grass catcher.
  - (4) Check blade mounting bolts for proper tightness at frequent intervals.
33. Check grass catcher bags frequently for wear or deterioration. For safety protection, replace only with new bag meeting original equipment specifications.
34. Look behind to make sure the area is clear before placing the transmission in reverse and continue looking behind while backing up. Disengage blades before shifting into reverse and backing up.
35. This unit should not be driven up a ramp onto a trailer or truck under power, because the unit could tip over, causing serious personal injury. The unit must be pushed manually to load properly.

**IMPORTANT:** This unit is shipped **WITHOUT GASOLINE or OIL**; however, a small amount of oil may be present from the factory. Do not overfill. After assembly, service engine with gasoline and oil as instructed in the separate engine manual packed with your unit.

**NOTE:** Reference to right or left hand side of the unit is observed from the driver's seat, facing forward.

## ASSEMBLY

This owner's manual covers various models of lawn tractors. The units illustrated may vary slightly from your unit. Follow the instructions which pertain to your unit. Refer to the separate deck manual for all information concerning the deck.

### NOTE

Units with 38" Decks. Two mounting brackets and hardware are included in a separate bag for use with the optional rear bagging kit, Model 064. Keep these parts in a safe place for future use.

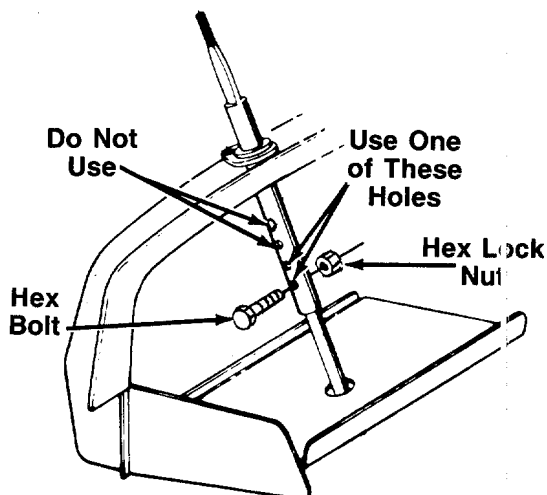


FIGURE 1.

### UNPACKING

1. Remove the lawn tractor from the carton as follows. Open the top flaps. Remove all loose parts and carton inserts. Cut the front corners of the carton. Make certain brake is released, and push the unit out of the carton.
2. Remove page four from this manual and lay the contents of the hardware pack on the illustration for identification.

### ATTACHING THE STEERING WHEEL (Hardware B)

1. For shipping purposes, the upper steering shaft is pushed all the way down over the lower steering shaft. Pull the upper steering shaft up. The holes in the shaft provide steering wheel height adjustment. When securing the two halves of the steering shaft, select one of the two lower holes in the upper shaft as shown. **Do not** use the two upper holes. Secure with hex bolt and hex lock nut. See figure 1.

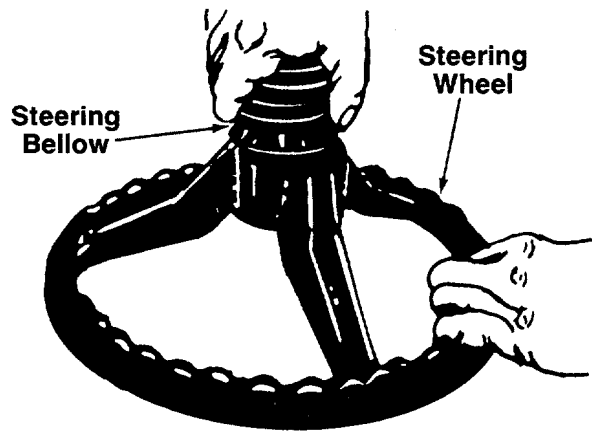


FIGURE 2.

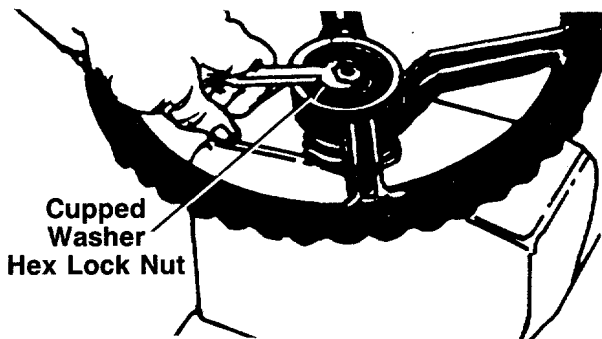


FIGURE 3.

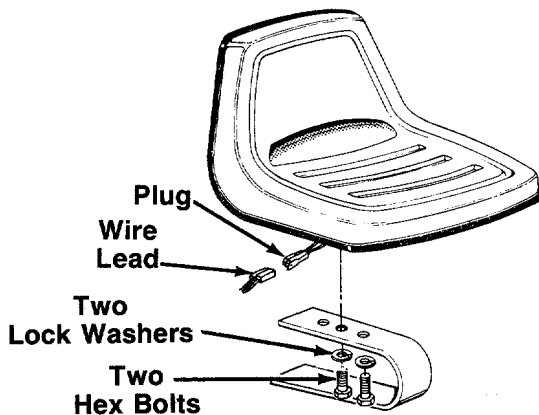


FIGURE 4.

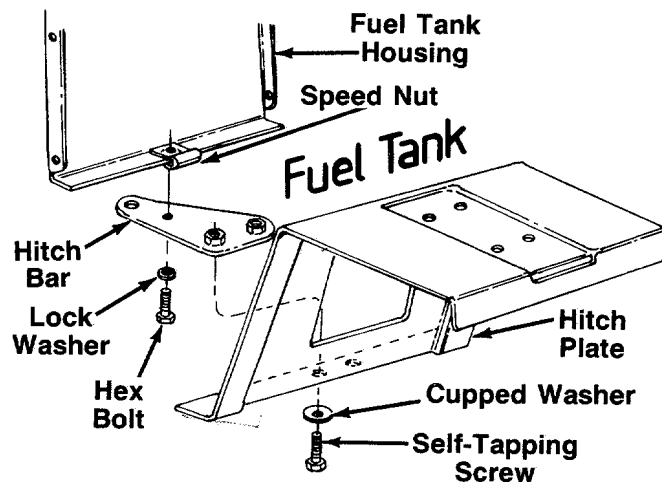


FIGURE 5.

← 2. Attach one end of steering bellow to the steering wheel as shown in figure 2.

3. Position the front wheels of the tractor so they are pointing straight forward.

4. Place the steering wheel and steering bellow over the steering shaft, positioning steering wheel as desired.

← 5. Place the washer with the cupped side down over the steering shaft. Secure with 5/16" hex lock nut. See figure 3.

6. Place the steering wheel cap over the center of the steering wheel and seat it with your hand.

#### ATTACHING THE SEAT (Hardware C)

1. The seat may be adjusted to two different positions. Select desired position and secure to seat spring with two hex bolts and lock washers. See figure 4.

← 2. Plug the wire lead which is in the wire harness beneath the seat into the plug on the wire lead extending from the right hand side of the seat. See figure 4.

#### ATTACHING THE HITCH BAR (Hardware D)

1. Assemble the hitch bar as follows. Place the hitch bar assembly (weld nuts up) above the edge of the hitch plate on the tractor. See figure 5. Secure with two self-tapping screws 3/4" long and cupped washers (cupped side of washers goes against the hitch plate).

← 2. Attach the hitch bar assembly to the speed nut on the edge of the fuel tank housing using one hex bolt 1" long and lock washer.

#### DECK INSTRUCTIONS

If your unit has been shipped without the chute deflector or the deck assembled, follow the instructions in the separate deck manual packed with your unit.

#### NOTE

On 38" decks, the hardware for attaching the chute may be attached to the deck instead of in the hardware pack. Remove the hardware and assemble the chute as instructed in the deck manual.

## BATTERY INFORMATION



- A. Battery acid must be handled with great care as contact with it can burn and blister the skin. It is also advisable to wear protective clothing (goggles, rubber gloves and apron) when working with it.\*
- B. Should battery acid accidentally splatter into the eyes or onto the face, rinse the affected area immediately with clean, cold water. If there is any further discomfort, seek prompt medical attention.
- C. If acid spills on clothing, first dilute it with clean water, then neutralize with a solution of ammonia/water or baking soda/water.
- D. Since battery acid is corrosive, do not pour it into any sink or drain. Before discarding empty electrolyte containers, rinse them with a neutralizing solution.
- E. NEVER connect or disconnect charger clips to battery while charger is turned on as it can cause sparks.
- F. Keep all lighted materials (cigarettes, matches, lighters) away from the battery as the hydrogen gas generated during charging can be combustible.
- G. As a further precaution, only charge the battery in a well-ventilated area.

**\*Always shield eyes, protect skin and clothing when working near batteries.**



Battery contains sulfuric acid. Refer to warning above. Antidote: EXTERNAL—Flush with water. INTERNAL—Drink large quantities of water or milk. Follow with milk of magnesia, beaten egg or vegetable oil. Seek prompt medical attention. EYES: Flush with cool water for at least 15 minutes, then seek immediate medical attention.

Since batteries produce explosive gases, keep all lighted materials (cigarettes, lighters, matches, etc.) away. Be sure to charge battery only in well-ventilated areas.

**KEEP BATTERIES  
OUT OF THE REACH OF CHILDREN!**

## ACTIVATING THE BATTERY

1. Place the battery to be filled on a workbench. Never activate a battery in the unit.
2. Slip one end of battery drain tube on the battery manifold.
3. Remove the fill caps from all cells.
4. Fill each cell carefully using 1.265 specific gravity electrolyte. Fill each cell to the top of the separators. Do not overfill.
5. Let the battery sit for 20 minutes to allow the chemical reaction to take place.
6. Charge the battery at a MAXIMUM RATE OF 5 AMPS, until the specific gravity reads 1.265. Use a hydrometer to check the specific gravity.

### ➡ NOTE

An excessive rate of charge will damage the battery.

7. Check the level of electrolyte. Adjust level to bottom of split ring if necessary with electrolyte.
8. Replace fill caps.

### ➡ NOTE

**After battery has been in service, add only distilled water. Do not add acid.**

### ➡ NOTE

This engine is equipped with an alternator. The current for the battery charger alternator is unregulated. During normal operation, it is only necessary to charge the battery:

1. When it is activated for the first time.
2. Before winter storage.
3. Before using the lawn tractor after winter storage.

## INSTALLING THE BATTERY

1. Open the hood of the lawn tractor by lifting up on both sides of the hood.



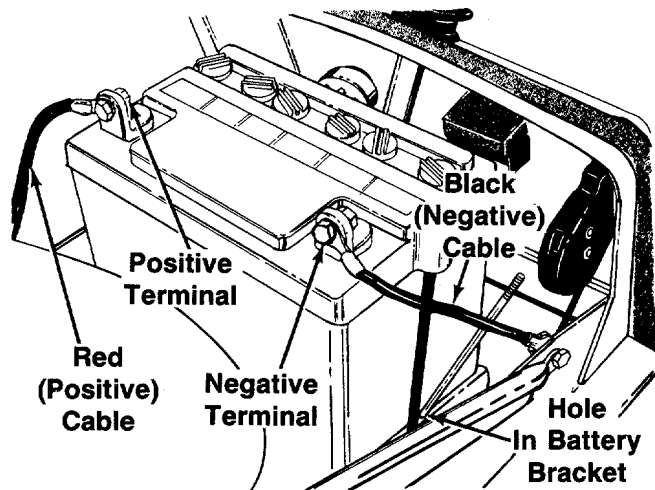


FIGURE 6.

- Place the battery in the lawn tractor so that the positive terminal is facing the right side of the unit. See figure 6.

**NOTE**

Right and left hand sides of the unit are determined from the operating position, facing forward.

- Attach the positive cable (heavy red wire) to the positive battery terminal (+) with hex bolt 5/8" long, 1/4" lock washer and hex nut. See figure 6.
- Attach the negative cable (heavy black wire) to the negative battery terminal (-) with the other hex bolt 5/8" long, 1/4" lock washer and hex nut.

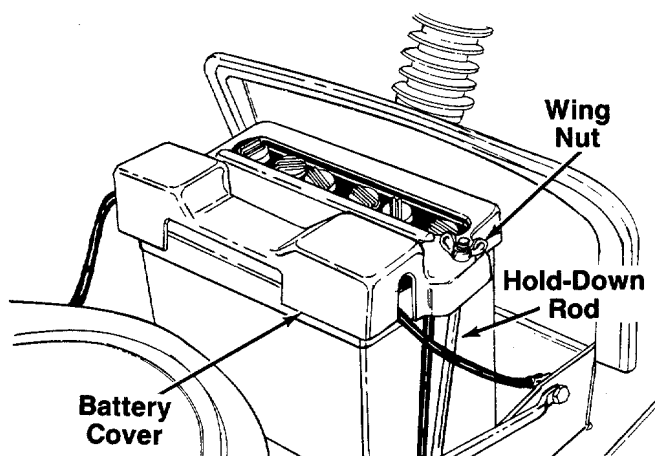


FIGURE 7.

- Hook one hold-down rod into the hole in the edge of the battery bracket beside the battery. See figure 6. Place the black plastic battery cover in position over the hold-down rod. Secure with wing nut. Attach other hold-down rod to the other side of battery cover in the same manner. See figure 7.

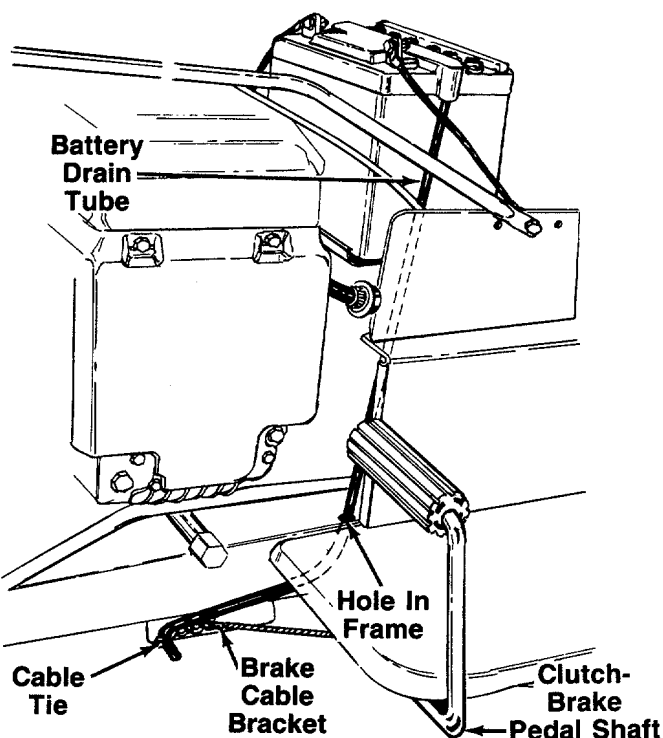


FIGURE 8.—44" Deck Shown

- Route the battery drain tube down through the hole in the frame, then forward to the brake cable bracket. See figure 8.
- Secure drain tube to brake cable bracket with the cable tie as shown in figure 8. Trim excess end of cable tie.

**NOTE**

On units with 38" and 40" decks, secure drain tube to bracket on clutch-brake pedal shaft.

# CONTROLS

## THROTTLE CONTROL

The throttle control is used to regulate the engine speed. To get maximum efficiency from cutting, the throttle should be in the FAST position when operating the mower. See figure 9.

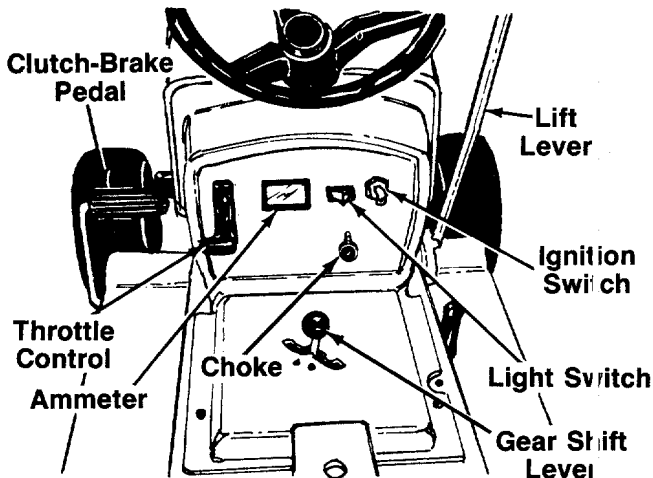


FIGURE 9.—Models 704 and 714 Shown

## CHOKE CONTROL

The choke control is located on the dashboard and is operated manually. Details for the choke operation are covered in the separate engine manual packed with your unit. See figure 9.

## GEAR SHIFT LEVER

The shift lever is located <sup>IN THE CENTER</sup> on the left side of the console and has three positions, FORWARD, NEUTRAL and REVERSE. See figure 9. The clutch-brake pedal must be depressed and the lawn tractor must not be moving when shifting gears. Do not force the shift lever. Release the clutch-brake pedal slightly to line up the shifting collar in the transmission. Then try to shift gears.

## SPEED CONTROL LEVER

The speed control lever is located on the right fender. It allows you to regulate the ground speed of the lawn tractor. See figure 10. To select the ground speed, depress clutch pedal. Push speed control lever outward and move backward to slow lawn tractor, move forward to increase speed. When desired speed has been obtained, release lever in that position. Whenever clutch is engaged, unit will automatically go to the pre-set speed.

## IGNITION SWITCH

Turn the key to the START position to start the engine. When the engine is running, let the key return to the ON position. To stop the engine, turn the key to the left to the OFF position and remove it to prevent accidental starting. See figure 9.

## LIGHT SWITCH

Push the light switch to turn on the lights. The lights will only operate when the engine is running. See figure 9.

## AMMETER

The ammeter registers the rate of battery charge or discharge. The ammeter will register on the discharging side when starting the engine. It should register on the opposite side (charging) when the engine is running in the fast position until the battery is completely charged. With a fully charged battery or with the engine idling, the ammeter will not show a charge. See figure 9.

## CLUTCH-BRAKE PEDAL

The clutch-brake pedal is located on the left side of the lawn tractor. Depressing the clutch-brake pedal part way disengages the clutch. Pressing the pedal all the way down disengages the clutch and engages the disc brake. See figure 9.

### NOTE

The clutch-brake pedal must be depressed to start the engine.

## PARKING BRAKE

The speed control lever is used to set the parking brake. To set the parking brake, depress the clutch-brake pedal. Press the speed control lever outward and all the way to the rear of the unit. Release the speed control lever and the clutch-brake pedal.

To release the parking brake, depress the clutch-brake pedal, press the speed control lever outward and move to desired position. Release the speed control lever and the clutch-brake pedal.

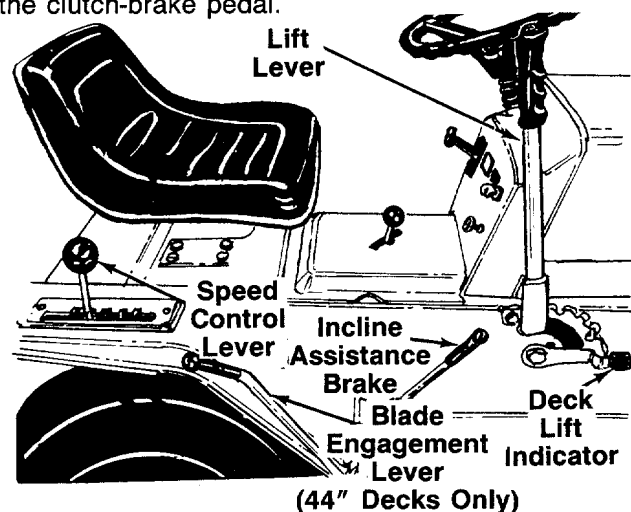


FIGURE 10.

## INCLINE ASSISTANCE BRAKE

When stopping on a hill, hold the incline assistance brake lever back while you release the clutch-brake pedal until the lawn tractor begins to move, then release the lever. This lever permits smoother starts and clutch engagement by holding the tractor during the brake release/clutch engagement operation. See figure 10.

### INTERLOCKS (Not Shown)

Interlock safety switches are located on the clutch-brake pedal, the blade engagement lever (on units so equipped) or lift lever, the gear shift lever and under the seat.

Before the engine will start, the clutch-brake pedal must be depressed all the way and the blade engagement lever (on units so equipped) or the lift lever must be in the disengaged position.

Before the unit can be shifted into reverse or if the operator leaves the seat, the blade engagement lever (if so equipped) or lift lever must be in the disengaged position.

### LIFT LEVER (Units with 38" or 40" Deck)

The lift lever is used to raise and lower the cutting deck and to engage and disengage the cutting blades. Pulling it all the way back and locking it disengages the blades. The lift lever must be in the disengaged position when starting the engine, when shifting into reverse or if the operator leaves the seat.

### LIFT LEVER (Units with 44" Deck)

The lift lever is located on the right side of the unit. It is used to raise and lower the cutting deck and other attachments. Move the lever to the right, then forward or backward to the desired position and release. See figure 10.

#### ➔ NOTE

When using the snow thrower attachment, the lift lever is also used to engage and disengage the spirals.

### DECK LIFT INDICATOR

The deck lift indicator marks the position being used for the lift lever. Select the lift lever position desired, press the indicator lever outward, move it to the position immediately below the lift lever and release the indicator lever. See figure 10.

### BLADE ENGAGEMENT LEVER (44" Decks Only)

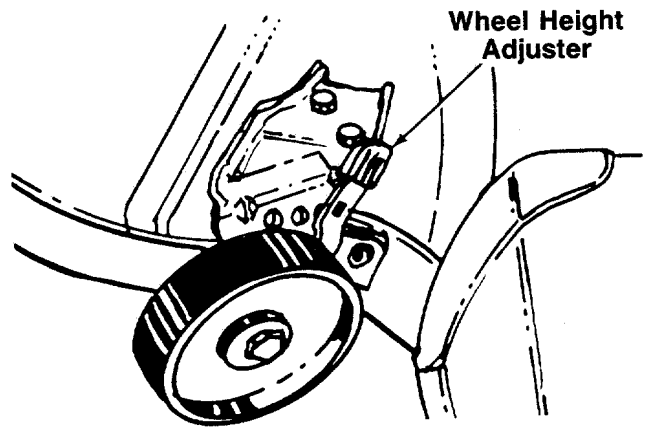
The blade engagement lever is located beside the right fender. Move the lever forward to engage the blades. Move it toward the rear of the unit to stop the blades from turning.

The blade engagement lever must be in the disengaged position before the engine can be started, when shifting into reverse or if the operator leaves the seat.

### DECK WHEEL HEIGHT ADJUSTMENT

**38" or 40" Deck:** Move the deck wheel to the desired hole location in the deck.

**44" Deck:** Move the wheel height adjuster lever towards the wheel and set it in the desired position. See figure 11.



**FIGURE 11.—44" Deck Only  
SETTING THE CUTTING HEIGHT**

1. Select the position for the lift lever which gives the desired cutting height. Move the deck lift indicator so that the lift lever can be returned to the same position after it is raised.
2. Set the deck wheels so that the wheels are  $\frac{1}{4}$  to  $\frac{1}{2}$  inch above the ground.

## OPERATION

### CAUTION

- READ OPERATOR'S MANUAL(S) • NEVER CARRY CHILDREN
- KNOW LOCATION AND FUNCTION OF ALL CONTROLS
- KEEP SAFETY DEVICES (GUARDS, SHIELDS AND SWITCHES) IN PLACE AND WORKING
- REMOVE OBJECTS THAT COULD BE THROWN BY BLADE(S)
- DO NOT OPERATE THE UNIT WHEN CHILDREN AND OTHERS ARE AROUND
- ALWAYS LOOK BEHIND THE UNIT BEFORE BACKING UP
- DO NOT OPERATE THE UNIT WHERE IT COULD SLIP OR TIP
- IF THE UNIT STOPS GOING UPHILL, STOP BLADE(S) AND BACK SLOWLY DOWNHILL
- BE SURE BLADE(S) AND ENGINE ARE STOPPED BEFORE PLACING HANDS OR FEET NEAR BLADE(S)
- BEFORE LEAVING OPERATOR'S POSITION, SHUT ENGINE OFF AND REMOVE KEY

### TIRE PRESSURE

For shipping purposes, the tires on your unit may be over-inflated. Tire pressure should be reduced before unit is put into operation. Recommended operating tire pressure should be 10 p.s.i.

Check sidewall of tire for manufacturer's maximum tire pressure. If this information does not appear on your tire, maximum tire pressure under any circumstances is 30 p.s.i. Equal tire pressure should be maintained on all tires.

### STARTING THE ENGINE

#### ➔ NOTE

To open the hood, simply lift up on both sides of the hood.

1. Service the engine with oil and gasoline as described in the engine manual.
2. Depress the clutch-brake pedal and set the parking brake.
3. Place the blade engagement lever (if so equipped) or lift lever in the DISENGAGED position. (See figure 10.)

 **NOTE**

This unit is equipped with a **safety interlock system** for your protection. The purpose of the safety interlock system is to prevent the engine from cranking or starting unless the clutch-brake pedal is depressed and the blade engagement lever (if so equipped) or lift lever is in the disengaged position. In addition, the blade engagement lever or lift lever must be in the disengaged position when the unit is put into reverse or the engine will shut off. If the operator leaves the seat with the blade engagement lever (if so equipped) or lift lever engaged, the engine will shut off.



Do not operate the lawn tractor if the interlock system is malfunctioning because it is a safety device, designed for protection.

4. Set the throttle control in the FAST position. See figure 9.
5. Pull choke knob to choke engine.

 **NOTE**

A warm engine may not require choking.

6. Turn the ignition key to the START position. When the engine is running, let the key return to the ON position. See figure 9.
7. Push choke knob in gradually. Move the throttle control to desired engine speed.

### STOPPING THE ENGINE

Turn the ignition key to the left to the OFF position. Remove the key to prevent accidental starting.

 **NOTE**

A brief break-in period is essential to ensure maximum engine and mower life. The break-in consists of running the engine at half speed for a period of time required to use one tank of gasoline. It is also recommended to change crankcase oil after the first 5 hours of operation.

Be sure that the lawn is clear of stones, sticks, wire, or other objects which could damage lawn tractor or engine. For best results and to insure more even grass distribution, do not mow when lawn is excessively wet.

 **IMPORTANT**

If you strike a foreign object, stop the engine. Remove wire from spark plug, thoroughly inspect the unit for any damage, and repair the damage before restarting and operating the mower.

 **NOTE**

If any problems are encountered, refer to the Trouble Shooting Chart on page 20.

### OPERATING THE LAWN TRACTOR

1. Set the desired cutting height.
2. Start the engine as instructed in previous column.
3. Move throttle control to  $\frac{3}{4}$  or full throttle to prevent strain on the engine and to operate the cutting blades.
4. Place the shift lever in either the FORWARD or REVERSE position.



**CAUTION**

Look to the rear before backing up.

5. Release the parking brake by depressing the clutch-brake pedal, pressing outward on the speed control lever and moving to desired position.

 **NOTE**

Use first speed position when operating the lawn tractor for the first time.

6. Release clutch-brake pedal slowly to put unit into motion.
7. The lawn tractor is brought to a stop by depressing the clutch-brake pedal.



**CAUTION**

If the unit is not to be used for a long period, place the gear shift lever in NEUTRAL, stop the engine, set the parking brake and remove the key. DO NOT leave the machine on an incline.

If unit stalls with speed control in high speed, or if unit will not operate with speed control lever in a low speed position, proceed as follows.

1. Place shift lever in NEUTRAL.
2. Restart engine.
3. Place speed control lever in high speed position.
4. Release clutch-brake pedal fully.
5. Depress clutch-brake pedal.
6. Place speed control lever in desired position.
7. Place shift lever in either FORWARD or REVERSE, and follow normal operating procedures.

### OPERATING THE CUTTING BLADES

The cutting blades may be engaged while the lawn tractor is moving or standing still. DO NOT engage the cutting blades abruptly as the sudden belt tension on the pulley may cause the engine to stall.



When the blade drive is engaged, keep feet and hands away from the discharge opening, the blades or any part of the deck.

Move the blade engagement lever (if so equipped) or lift lever into the DISENGAGED position to disengage the blades.



When the machine is used for other than mowing operations, the blade drive should be disengaged.

GRASS CATCHER Model 064 is available as optional equipment for the lawn tractor with a 38" side discharge

DEEP deck. 190-205



The mower should not be operated without the entire grass catcher or chute deflector in place.



Under normal usage bag material is subject to wear, and should be checked periodically. Be sure any replacement bag complies with the mower manufacturer's recommendations.

For replacement bags, use only factory authorized replacement bag.

## ADJUSTMENTS

### SEAT ADJUSTMENT

The seat may be adjusted to one of two positions. Refer to "Attaching the Seat" section of Assembly Instructions.

### STEERING WHEEL ADJUSTMENT

There are two height positions for the steering wheel. To adjust the height of the steering wheel, remove the hex bolt and hex lock nut on the steering shaft. Place the steering wheel in the position desired and secure with hex bolt and hex lock nut. Refer to figure 1.



When raising the height of the steering wheel, stretch the steering bellow to cover the steering shaft.

### SPEED CONTROL ADJUSTMENT (See figure 12)

First, adjust the speed control lever by pushing the clutch-brake pedal forward until the stop on the speed control rod is against the running board rod. See figure 12. Have another person hold the pedal in this position as you make the following adjustment. Place the speed control lever in parking brake position. Remove the hairpin cotter and flat washer, and adjust the ferrule on the rod so it is against the back end of the slot. See figure 12. Replace the flat washer and hairpin cotter.

Next, adjust the speed control link as follows to obtain the correct neutral adjustment.

1. Start the engine.
2. Place the shift lever in NEUTRAL position.
3. Place the speed control lever in high speed position.
4. Release the clutch-brake pedal completely, then slowly depress the pedal all the way (to park position). Hold the pedal in this position.
5. Turn the engine off.
6. After engine stops completely, release the clutch-brake pedal.
7. Position speed control lever as follows.
  - A. 7-speed units—Place speed control lever in second position.
  - B. 6-speed units—Place speed control lever between first and second position (hold in this position).

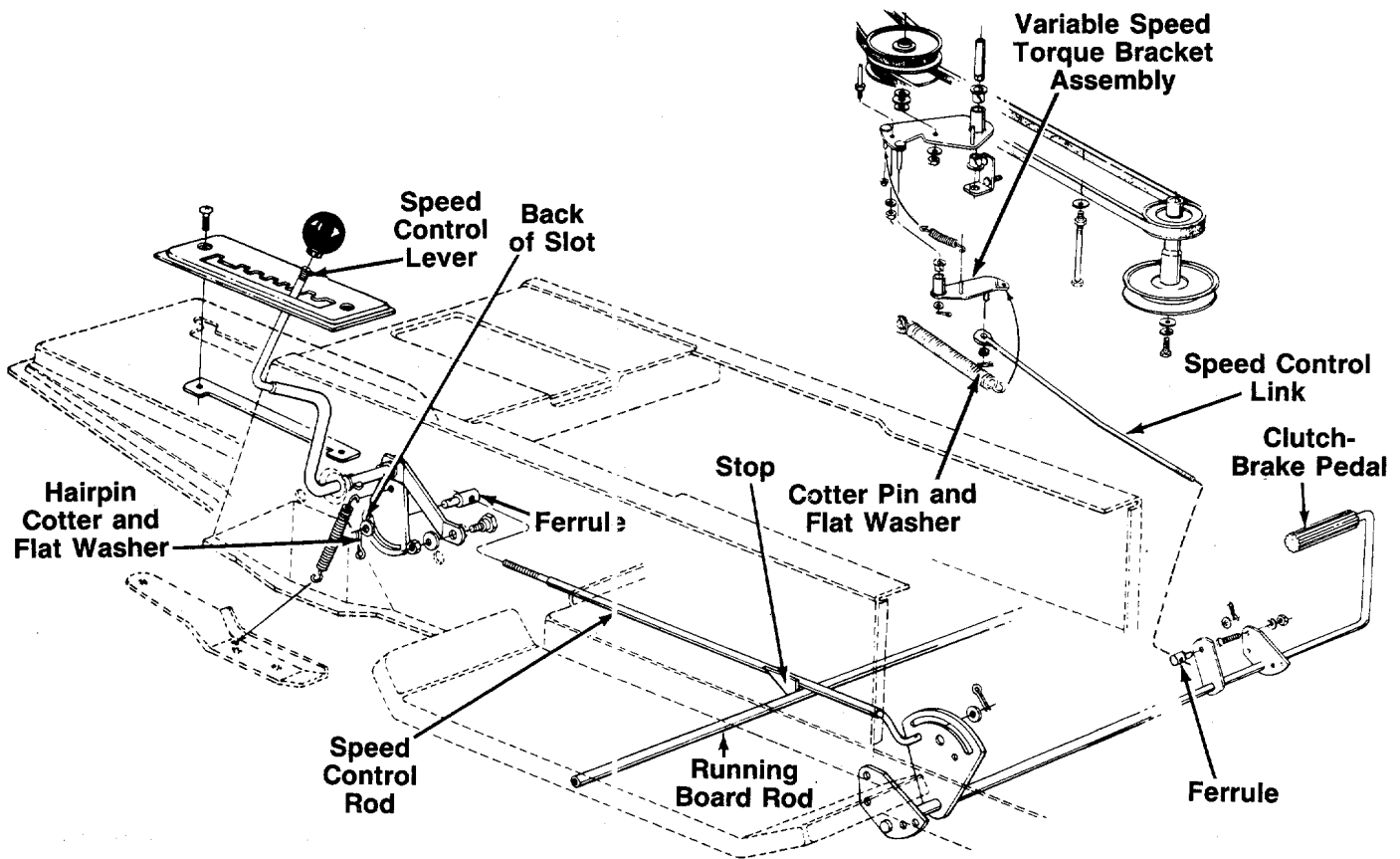


FIGURE 12.

- C. 4 and 5-speed units—Place speed control lever in first position.
8. Remove the cotter pin and flat washer which secures the speed control link to the variable speed torque bracket assembly.
  9. Push the clutch-brake pedal backward by hand as far as it will go using light pressure. Hold it in this position as you thread the speed control link in or out of the ferrule until it lines up with the pin on the variable speed torque bracket assembly.
  10. Secure speed control link to variable speed torque bracket assembly with flat washer and cotter pin.

#### NEUTRAL ADJUSTMENT

1. Place the transmission in neutral. (The unit will move freely when pushed forward and backward with the parking brake released).
2. Loosen the bolt which secures the shift lever assembly to the shift lever link. See figure 13.
3. Place the shift lever in the neutral slot. See figure 13.
4. Tighten the bolt to 13 foot pounds.

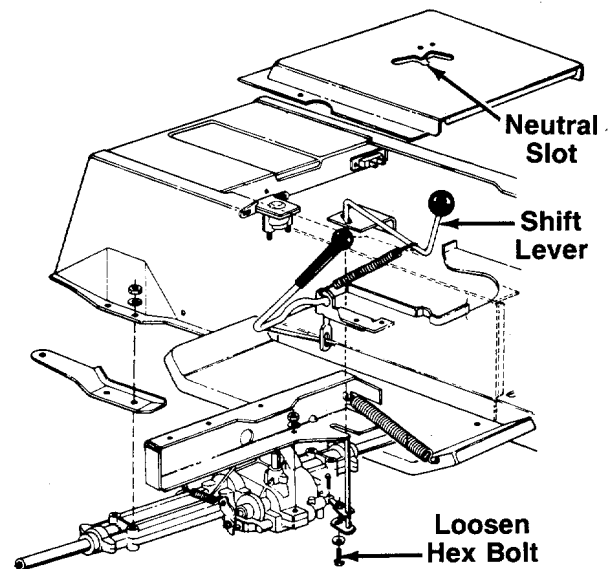


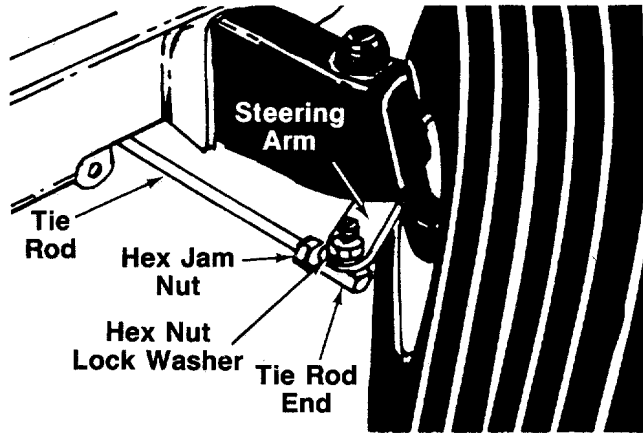
FIGURE 13.

#### WHEEL ADJUSTMENT

The caster (forward slant of the king pin) and the camber (tilt of the wheels out at the top) require no adjustment. Automotive steering principles have been used to determine the caster and camber on the tractor. The front wheels should toe-in 1/8 inch.

To adjust the toe-in, follow these steps.

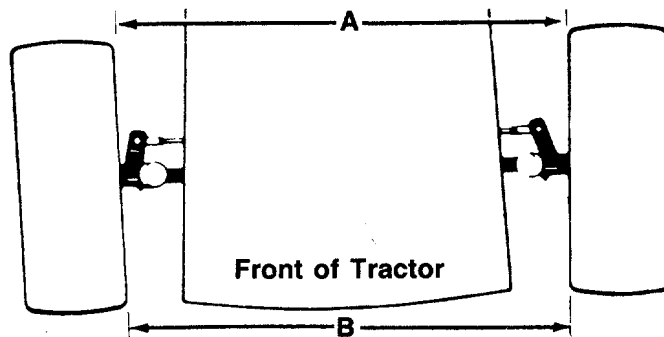
1. Remove the hex nut and lock washer, and drop the tie rod end from the wheel bracket. See figure 14.
2. Loosen the hex jam nut on tie rod.
3. Adjust the tie rod assembly for correct toe-in.



**FIGURE 14.**

Dimension "B" should be approximately 1/8" less than Dimension "A." See figure 15.

- A.) To increase Dimension "B," screw tie rod into tie rod end.
- B.) To decrease Dimension "B," unscrew tie rod from tie rod end.
- C.) Reassemble tie rod. Check dimensions. Readjust if necessary.



**FIGURE 15. TOE-IN DIAGRAM**

### CARBURETOR ADJUSTMENT



If any adjustments are made to the engine while the engine is running (e.g. carburetor), disengage all clutches, and blades. Keep clear of all moving parts. Be careful of heated surfaces and muffler.

**Minor carburetor adjustment may be required to compensate for differences in fuel, temperature, altitude and load.** To adjust the carburetor, refer to the separate engine manual packed with your unit.

### NOTE

A dirty air cleaner will cause an engine to run rough. Be certain air cleaner is clean and attached to the carburetor before adjusting carburetor. Refer to the separate engine manual.

### BRAKE ADJUSTMENT (See figure 16)

The brake is located by the right rear wheel inside the frame. During normal operation of this machine, the brake is subject to wear and will require periodic examination and adjustment.

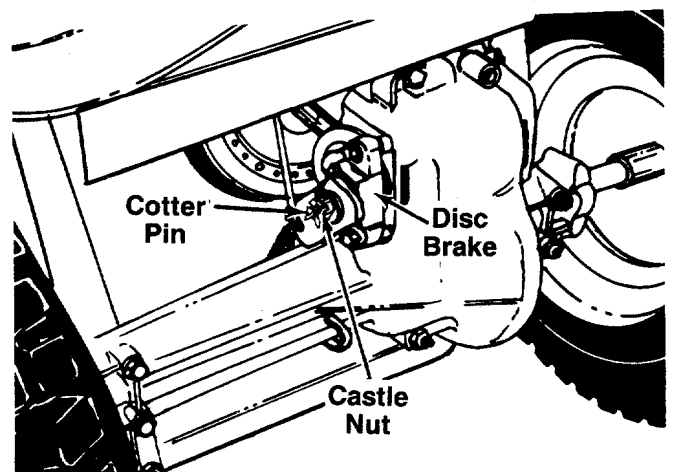


Do not have the engine running when you adjust the brake.

To adjust the brake, remove the cotter pin. Adjust the castle nut so the brake starts to engage when the brake lever is 1/4" to 5/16" away from the axle housing.

### NOTE

Figure 16 is shown with the unit tipped up on rear wheels for clarity only.



**FIGURE 16.**

### DECK LEVELING ADJUSTMENT

If an uneven cut is obtained, the deck may be leveled as follows.

1. Remove the transmission cover:
  - a. Place the gear shift lever in the neutral position. Unscrew the gear shift knob.

# DECK LEVELING ADJUSTMENT

- b. Remove the two truss head screws which secure the transmission cover.
- c. Lift the transmission cover. Unplug the safety wire from beneath the transmission cover and remove cover.
2. Using a 1/2" wrench, loosen the jam nut. See figure 17.
3. With the unit on a hard, level surface, measure the distance from the bottom edge of the center of the left side of deck to the ground. Measure the same distance on the center of the right side of the deck (just behind the chute area on side discharge units). Or, place the blades in a straight line and measure the distance from the outside edge of the blade tips to the ground.
4. Adjust the deck as follows: To raise the left side of the deck, tighten the adjusting screw. To lower the left side of the deck, back the adjusting screw off several turns. Remeasure the deck as described in step 3, and readjust if necessary. Tighten the jam nut to secure the adjusting screw when the deck is level.
5. Replace the transmission cover, following the instructions in step 1 in reverse order. Be certain to reconnect the safety wire.

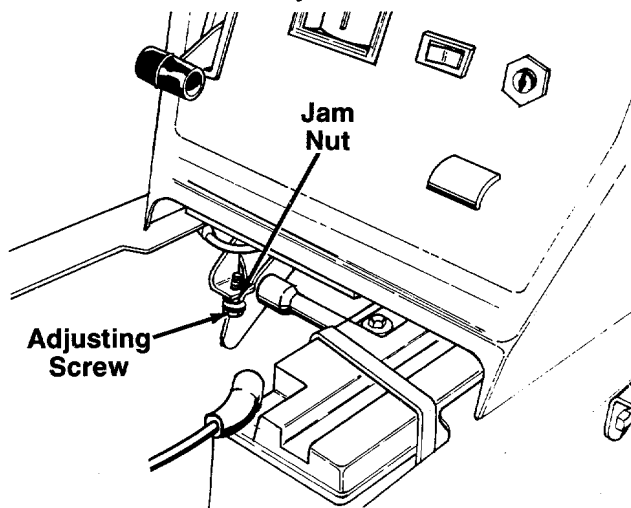


FIGURE 17.

## LUBRICATION



Always stop engine and disconnect spark plug wire before cleaning, lubricating or doing any kind of work on lawn tractor.

### STEERING GEARS

Lubricate teeth of steering gears with automotive multi-purpose grease after every 25 hours of operation or once a season. See figure 18.

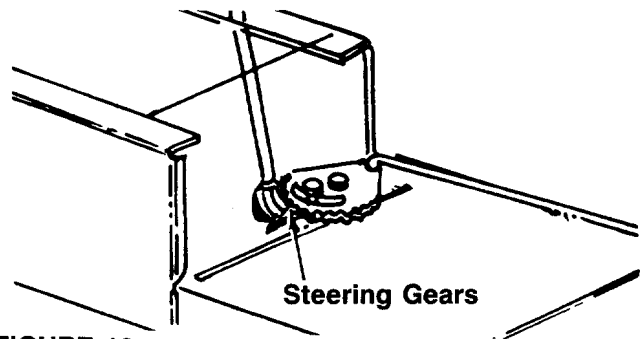


FIGURE 18.

### STEERING SHAFT

Lubricate steering shaft at least once a season with light oil.

### TRANSAXLE

The transaxle is lubricated and sealed at the factory and does not require checking. If disassembled for any reason, lubricate with 10 oz. of grease, part number 737-0148.

### FRONT WHEELS

The front wheels are provided with grease fittings. Lubricate at least once a season with automotive multi-purpose grease.

### PIVOT POINTS

Lubricate all pivot points with light oil at least once a season.

## MAINTENANCE



Disconnect the spark plug wire and ground against the engine before performing any repairs or maintenance.

### TROUBLE SHOOTING

Refer to page 20 of this manual for trouble shooting information.

### CRANKCASE OIL

Check the oil level in the crankcase before each use of the machine and after every five hours of operation. Oil level should be maintained as instructed in the separate engine manual.

After the first five hours of operating a new engine, drain the oil from the crankcase while engine is still hot and refill crankcase with new oil; thereafter change the oil every 25 hours of operation. Refer to the engine manual.

### AIR CLEANER

Under normal operating conditions, the air cleaner, located on top of the carburetor, must be serviced after every ten hours of use. Under extremely dusty operating conditions, the air cleaner must be serviced



after every hour of operation. To service the air cleaner, refer to the separate engine manual packed with your unit.

### CLEANING ENGINE AND BLADE HOUSING

Any fuel or oil spilled on the machine should be wiped off promptly. Grass, leaves, and other dirt must not be left to accumulate around the cooling fins of the engine or on any part of the machine.

Clean the underside of the blade housing after each mowing.

### SPARK PLUGS

The spark plug should be cleaned and the gaps reset once a season. Spark plug replacement is recommended at the start of each mowing season; check engine manual for correct plug type and gap specification.

### CUTTING BLADES

#### A. Removal for Sharpening or Replacement



Be sure to disconnect and ground the spark plug wire and remove ignition key before working on the cutting blades to prevent accidental engine starting. Protect hands by using heavy gloves or a rag to grasp the cutting blades.

1. Remove the large bolt and lock washer which holds the blade and adapter to the blade spindle.
2. Remove the blade and adapter from the spindle. Be careful not to lose the key on the spindle.
3. If the blade or blade adapter needs replacing, remove the two small bolts, lock washers and nuts which hold the blade to the adapter.

#### B. Sharpening

Remove the cutting blade by following the directions of the preceding section.

When sharpening the blade, follow the original angle of grind as a guide. It is **extremely important** that each cutting edge receives an equal amount of grinding to prevent an unbalanced blade. An unbalanced blade will cause excessive vibration when rotating at high speeds, may cause damage to the mower and could break, causing personal injury.

The blade can be tested for balance by balancing it on a round shaft screwdriver. Remove metal from the heavy side until it balances evenly.



It is recommended that the blade always be removed from the adapter for the best test of balance.

#### C. Reassembly

Before reassembling the blade and the blade adapter to the unit, lubricate the spindle and the inner surface of the blade adapter with light oil. Lubricating the bolt holes, bolts and inner surface of the nuts with light oil is also recommended. A 4 oz. plastic bottle of light oil lubricant is available. Order part number 737-0170. Engine oil may also be used.

When replacing the blade, be sure to install the blade with the side of the blade marked "Bottom" (or with part number) facing the ground when the mower is in the operating position. Make certain key is in place on the blade spindles.

#### Blade Mounting Torque

3/8" Dia. Bolt 375 in. lb. min., 450 in. lb. max.

5/16" Dia. Bolt 150 in. lb. min., 250 in. lb. max.

To insure safe operation of your unit, ALL nuts and bolts must be checked periodically for correct tightness.

#### Blade Spindle Nuts (44" Deck Only)

If disassembled for any reason, tighten the blade spindle nuts for the 22" blades to between 80 and 100 foot pounds. Tighten the blade spindle nut for the smaller center blade to between 40 and 45 foot pounds.

#### FUEL FILTER

Your unit is equipped with a replaceable in-line fuel filter. Replace filter whenever contamination or discoloration is noticed. Order replacement filter through your engine authorized service dealer.

#### BELT REMOVAL AND REPLACEMENT



Disconnect the spark plug wire and ground it against the engine. Block the wheels of the unit.



Figures 20 through 22 are shown with the unit tipped up for clarity. It is not necessary to tip the unit to remove the belts.

#### Rear Drive Belt

1. Remove the two truss head screws which secure the transmission cover.
2. Lift the transmission cover. Unplug the safety wire from beneath the transmission cover. Remove transmission cover.
3. Push the idler pulley toward the right side of the unit. Lift the belt over the idler pulley. See figure 19.
4. Remove the belt from the variable speed pulley.

- Remove the two bolts which hold the shift lever bracket to the frame on the left side of the unit. Swing the bracket toward the right so the belt can be removed from the transmission pulley. See figure 19.
- Replace belt, and reassemble in reverse order.

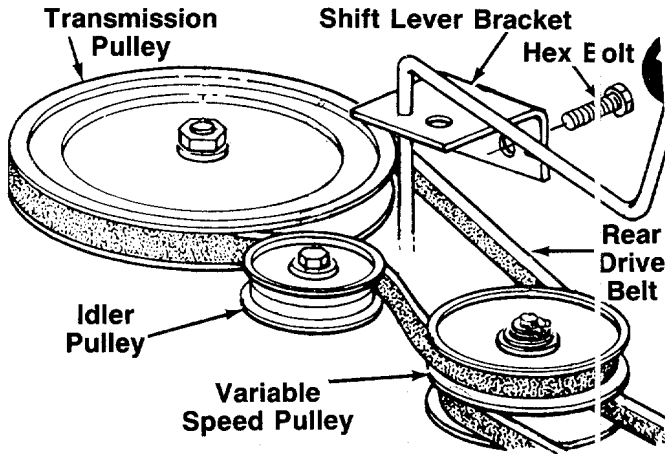


FIGURE 19.

#### Front Drive Belt

- To remove the front drive belt, first remove the rear drive belt from the idler pulley and variable speed pulley.
- Place the lift lever in the disengaged position.
- Remove the hex bolts (belt keepers) from the engine pulley belt guard. Refer to deck manual.

#### NOTE

Make certain hex bolts are reassembled as shown in the separate deck manual.

- Unhook the deck belt from the engine pulley.
- Remove the two bolts, lock washers and nuts on each side of the frame which hold the engine pulley belt guard to the frame. See figure 20.

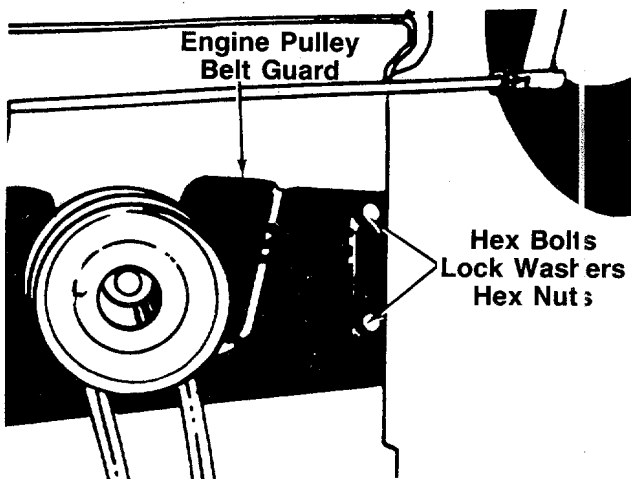


FIGURE 20.

- Remove the engine pulley belt guard by slipping it back and to the right. See figure 21.

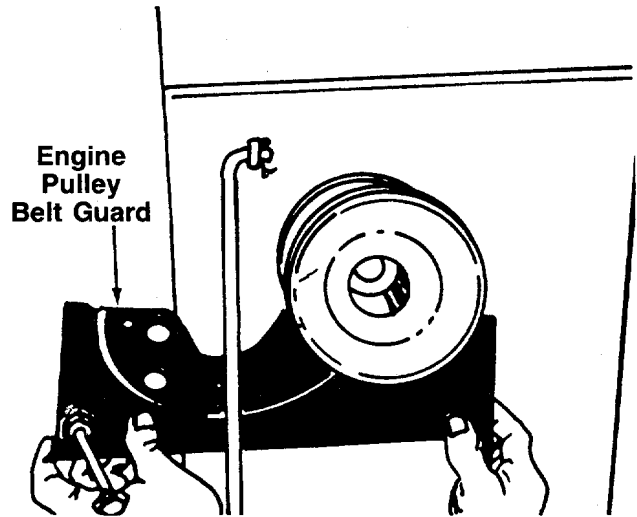


FIGURE 21.

- Place the clutch-brake pedal in park position.
- Push forward on the variable speed pulley, and lift the belt off the engine and remove the belt from the engine pulley.
- Release the clutch-brake pedal. Using the pedal to move the variable speed pulley as necessary, lift the belt up and off the variable speed pulley.

#### NOTE

When reassembling, make certain belt is inside the pins. See figure 22.

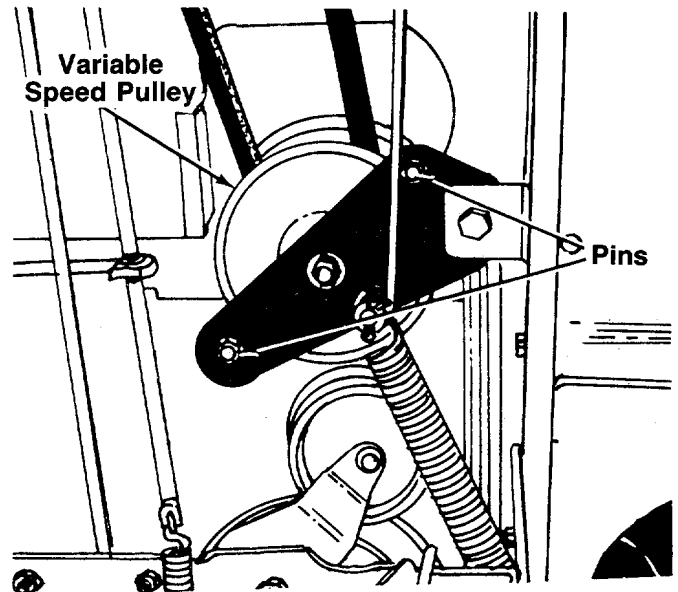


FIGURE 22.

- Reassemble with a new belt, following instructions in reverse order.

## BATTERY REMOVAL OR INSTALLATION



### WARNING

When removing the battery, follow this order of disassembly to prevent the screwdriver from shorting against the frame.

1. Remove the Negative cable.
2. Remove the Positive cable.

To install a battery:

1. Attach the Positive cable.
2. Attach the Negative cable.

## JUMP STARTING

1. Attach the first jumper cable from the Positive terminal of the good battery to the Positive terminal of the dead battery.
2. Attach the second jumper cable from the Negative terminal of the good battery to the FRAME OF THE UNIT WITH THE DEAD BATTERY.



### WARNING

Failure to use this starting procedure could cause sparking, and the gas in either battery could explode.

## BATTERY MAINTENANCE

1. Check periodically (every two weeks or before and after charging) to be sure electrolyte level is above the lowest line on battery. Add only distilled water or a good quality drinking water. NEVER add additional acid or other chemicals to battery after initial activation.
2. The battery should be checked with a hydrometer after every 25 hours of operation. If the specific gravity is less than 1.225, remove battery and recharge.
3. Coat the terminals and exposed wiring with a thin coat of grease or petroleum jelly for longer service and protection against electrolyte corrosion.
4. The battery should be kept clean. Any deposits of acid should be neutralized with soda and water. Be careful not to get this solution in the cells.

## BATTERY STORAGE

1. Charge battery using normal methods. NEVER store discharged battery as it will not recover.
2. When storing battery for extended periods, disconnect battery cables. Removing battery from unit is recommended.
3. Store in cold, dry place.

4. Recharge battery whenever the specific gravity is less than 1.225, before returning to service, or every two months, whichever occurs first.

## COMMON CAUSES FOR BATTERY FAILURE ARE:

1. Overcharging
2. Undercharging
3. Lack of water
4. Loose holds downs and/or corroded connections
5. Excessive loads
6. Battery electrolyte substitutes
7. Freezing of electrolyte



### NOTE

THESE FAILURES DO NOT CONSTITUTE WARRANTY.

## INSTALLATION OF TIRE TO RIM



### WARNING

The following procedure must be followed when removing or installing a tire to the rim.

1. Be sure rim is clean and rust free.
2. Lubricate both the tire and rim generously.
3. Never inflate to over 30 p.s.i. to seat beads. Excessive inflation pressure when seating beads may cause tire/rim assembly to burst with force sufficient to cause serious injury.

## OFF-SEASON STORAGE

If the machine is to be inoperative for a period longer than 30 days, prepare for storage as follows.

1. Clean the engine and the entire unit thoroughly.
2. Lubricate all lubrication points. Wipe the entire machine with an oiled rag to protect the surfaces.
3. Refer to the engine manual for correct engine storage instructions. The engine must be completely drained of fuel to prevent gum deposits from forming on essential carburetor parts, fuel lines and fuel tanks.
4. Refer to battery storage instructions on page 16.
5. Store unit in a clean, dry area.



### NOTE

When storing any type of power equipment in an unventilated or metal storage shed, care should be taken to rustproof the equipment. Using a light oil or silicone, coat the equipment, especially any chains, springs, bearings and cables.

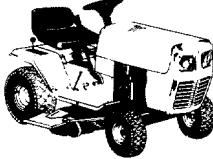
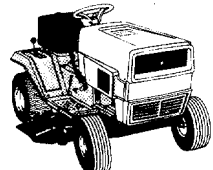
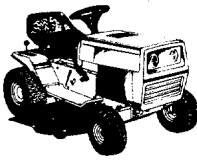
## TROUBLE SHOOTING CHART FOR ELECTRIC START MODELS

TROUBLE	LOOK FOR	REMEDY
Engine will not crank	Battery installed incorrectly	The battery must be installed with the negative terminal, identified at the terminal post by (Neg, N or -), grounded. The positive terminal (Pos, P or +) attaches to the large cable from the solenoid. The small red wire from the fuse holder or circuit breaker is also attached to the positive terminal.
	Blown fuse or circuit breaker	Replace fuse with 7½ amp. fuse ¼ x 1¼" lg. Circuit breaker will reset itself when it cools off. Fuses or circuit breakers seldom open or fail without a reason. The problem must be corrected. Check for loose connections in the fuse holder. Replace fuse holder if necessary. A dead short may be in the cranking or charging circuit where the insulation may have rubbed through and exposed the bare wire. Replace the wire or repair with electrician's tape if the wire strands have not been damaged. Note: Look for a wire pinched between body panels, burned by the exhaust pipe or muffler or rubbed against a moving part.
	Battery is dead or weak	<p>Use a hydrometer to check the condition of the battery. The Specific Gravity (s.g.) should be 1.265 at 80°F. (1.215 s.g. minimum needed for cranking engine). The reason for the battery failing must be determined. (1) Defective battery. Battery will not accept or hold a full charge. (2) Short circuit. Check for grounded wire. (3) Charging system not working.</p> <p>The charging system is an alternator located under the flywheel. It is unregulated and rated 3 amp. at 3600 r.p.m. A diode (rectifier) is located in the output lead just before the wire harness plug on the engine side</p> <div style="text-align: center;"> </div> <p>The diode changes A.C. to D.C. to charge the battery. A bad diode can either fail to charge the battery or discharge the battery if the alternator is shorted as well as the diode. To test: (1) Disconnect charger lead from the battery (small red wire). (2) Connect 12 V small test lamp between the 3 amp. D.C. charge lead and the positive terminal of the battery. (3) With the engine off, the lamp should not light. If it does, the diode and possibly the alternator should be replaced. (4) Start the engine. The lamp should light. If it does not, the alternator (stator) or lead wire is bad and should be replaced.</p>
	Mechanical failure (Wires and switches)	The interlock system includes two mechanical activated switches which are wired in series in the circuit used to energize the starter solenoid. While testing the interlock system, you will make the mower temporarily unsafe by permitting the engine to be started with the blade and clutch engaged. <b>WARNING:</b> While testing, disengage the clutch, shut off the blade control, set the parking brake and place the gear shift lever in neutral. Attach a wire (minimum 18 gauge) to the positive terminal of the battery and touch the other end to the small terminal on the solenoid. <b>If the engine does not crank:</b> (1) There is a loose connection or poor ground. (2) The solenoid may be bad. The solenoid can be checked by using a heavy wire (#8 gauge minimum) and jumping between the two large terminals. If the engine cranks, the solenoid is bad. (3) If the engine does not crank when you jump the solenoid, have the starter motor tested by an authorized engine dealer. If the engine does crank, the problem is with one of the safety switches, ignition switch or the wire between the fuse holder (or circuit breaker) and the small terminal on the solenoid. Note: Look for a poor connection at the switches or a defective switch. Replace if necessary.
Engine cranks but will not start	Throttle or choke not in starting position	Check owner's guide for correct position for throttle control and choke for starting.
	No spark to spark plug	<p>Spark plug lead disconnected. Connect lead. Hold spark plug lead away from engine block about 1/8". Crank engine. There should be a spark. If not, have engine repaired at authorized engine service dealer.</p> <p>Faulty spark plug. To test, remove spark plug. Attach spark plug lead to spark plug. Ground the spark plug body against the engine block. Crank the engine. The spark plug should fire at the electrode. Replace if it does not.</p>

## TROUBLE SHOOTING CHART FOR ELECTRIC START MODELS

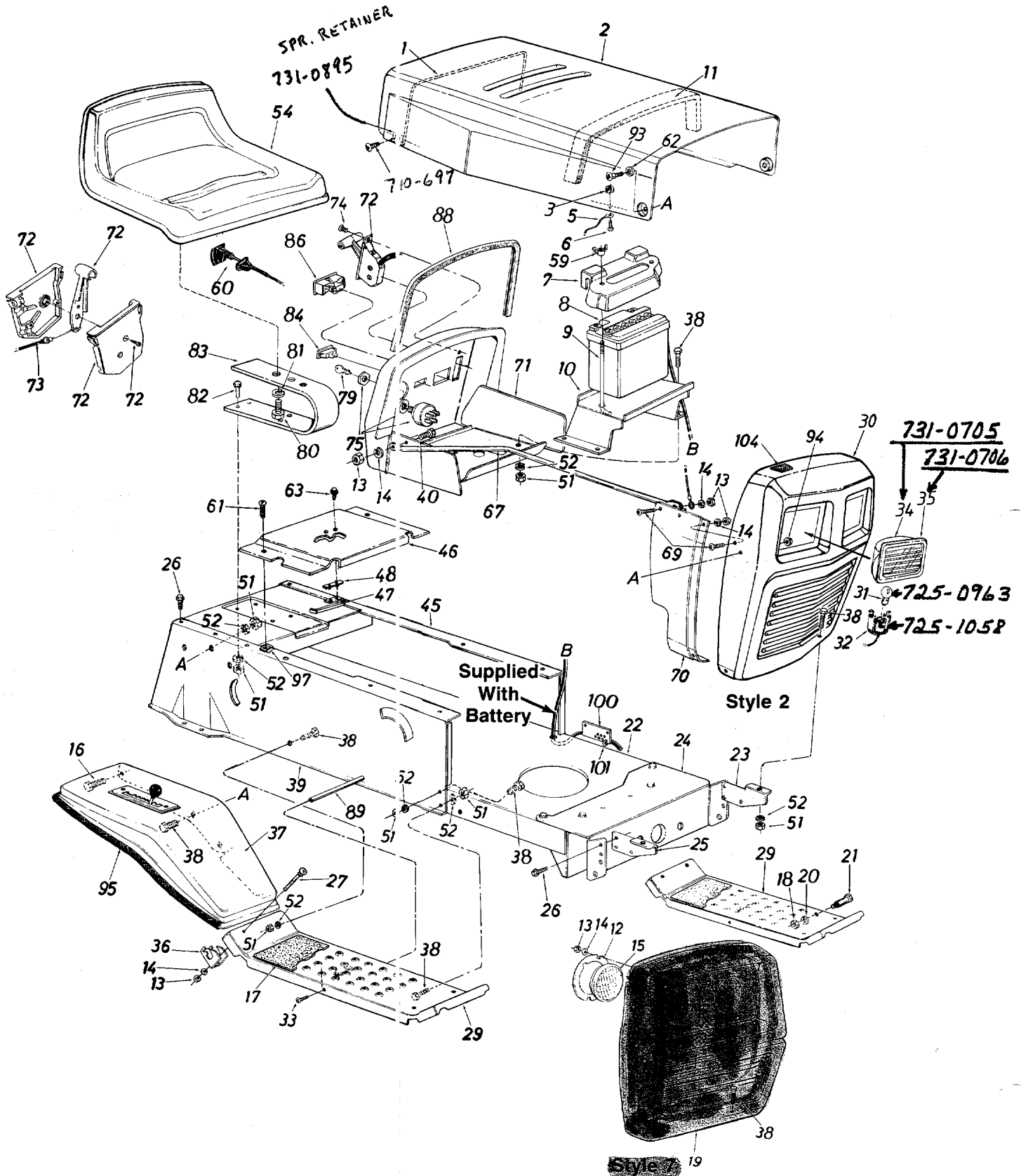
TROUBLE	LOOK FOR	REMEDY
	No fuel to the carburetor	Gasoline tank empty. Fill. Fuel line or in-line fuel filter plugged. Remove and clean fuel line. Replace filter if necessary.
	Air filter dirty	If the air cleaner is dirty, the engine may not start. Clean or replace as recommended by the engine manufacturer.
Engine smokes	Engine loses crankcase vacuum	Dipstick not seated or broken. Replace defective part. Engine breather defective. Replace.
Excessive vibration	Bent or damaged blade spindle	<b>Stop engine immediately.</b> Check all pulleys, blade adapters, keys and bolts for tightness and damage. Tighten or replace any damaged parts.
	Bent blade	<b>Stop engine immediately.</b> Replace damaged blade. Only use original equipment blades.
Mower will not discharge grass or leaves uncut strips	Engine speed low Transmission selection Blades short or dull	Throttle must be set between 3/4 and full throttle. Use lower transmission speed. The slower your ground speed, the better the quality of cut. Sharpen or replace blades (uncut strip problem only).

## MODEL IDENTIFICATION

Sheet Metal	Model No.	Deck	Front Wheels	Rear Wheels
<b>Style 2</b> 	572, 582 662 672, 682, 692	40" Rear Discharge (190-804) 38" Side Discharge (190-805) 44" Side Discharge (190-803)	15 x 6 15 x 6 15 x 6	18 x 6.5 18 x 9.5 18 x 9.5
<b>Style 3</b> 	573, 583 663 673, 683, 693	40" Rear Discharge (190-804) 38" Side Discharge (190-805) 44" Side Discharge (190-803)	15 x 6 15 x 6 15 x 6	18 x 6.5 18 x 9.5 18 x 9.5
<b>Style 7</b> 	577, 587 667 677, 687, 697	40" Rear Discharge (190-804) 38" Side Discharge (190-805) 44" Side Discharge (190-803)	15 x 6 15 x 6 15 x 6	18 x 6.5 18 x 9.5 18 x 9.5

# Style 2 (Models 572, 582, 662, 672, 682, 692)

# Style 7 (Models 577, 587, 667, 677, 687, 697)



# Style 2 (Models 572, 582, 662, 672, 682, 692)

(Models 577, 587, 667, 677, 687, 697)

## PARTS LIST FOR FRONT ENGINE LAWN TRACTORS

REF. NO.	PART NO.	COLOR CODE	DESCRIPTION	NEW PART	REF. NO.	PART NO.	COLOR CODE	DESCRIPTION	NEW PART
1	732-0559		Hood Spring	N	46	16433		Shift Cover	
2	16207		Hood		47	725-0759		Reverse Safety Switch	
3	712-0272		Hex Sems Nut #10-24 Thd.*		48	726-0222		Insulator Nut Plate	
4	726-0154		Push Mount Tie		51	712-0267		Hex Nut 5/16-18 Thd.*	
5	723-0302		Hood Stop 7" Lg.		52	736-0119		L-Wash. 5/16" I.D.*	
6	710-0473		Truss Hd. Scr. #10-24 x 1/2" *		54	757-0318		Seat Ass'y.	
7	731-0707		Battery Cover		59	712-0113		Wing Nut 1/4-20 Thd.—Plastic	
8	725-0453		12 Volt Battery		60	746-0613		Choke Control 44.0" Lg.	
9	711-0222		Battery Hold Down Rod		61	710-0351		Truss Mach. Tap Scr. #10 x .50" Lg.	
10	12747		Battery Bracket		62	736-0413		Washer .39" I.D. x .62" O.D.	
11	722-0138		PVC Foam—Strip		63	710-0227		Hex Wash. Hd. AB-Tap Scr. #8 x .50	
12					67	749-0716		Grille Support Rod—R.H.†	N
13	712-0287		Hex Nut 1/4-20 Thd.*						
14	736-0329		L-Wash. 1/4" I.D.*						
15						749-0717		Grille Support Rod—L.H. (Not Shown)†	N
16	710-0653		Hex Wash. Hd. Tap Scr. 1/4 x 3/8" Lg.						
17	723-0360		Foot Pad						
18	712-0798		Hex Nut 3/8-16 Thd.*		69	710-0255		Truss Hd. Scr. 1/4-20 x .75" Lg.*	
19	14781		Grille (Style 7)		70	16622		R.H.—Grille Side Panel†	
20	736-0169		L-Wash. 3/8" I.D.*						
21	738-0145		Shld. Bolt .50" Dia. x .84			16621		L.H.—Grille Side Panel (Not Shown)†	
22	14606		Lower Frame						
23	16643		Grille Mount Brkt.—L.H.†	N					
24	14619		Front Pivot Brkt.						
25	16644		Grille Mount Brkt.—R.H.†	N	71	16184		Dash Panel Ass'y.	
26	710-0726		Hex Wash. Hd. AB-Tap Scr. 5/16 x .75" Lg.		72	831-0823		Throttle Control Box Ass'y.	
27	710-0495		Carr. Bolt 1/4-20 x 2.00" Lg.*		73	746-0634		Throttle Control Wire—35"	
29	14604		Running Board (R.H. & L.H.)		74	710-0779		Truss Mach. AB-Tap Scr. #10 x .5" Lg.	
30	17025		Grille (Style 2)		75	725-0267		Ignition Switch	
33	710-0323		Truss Mach. Scr. 5/16-18 x .75" Lg.*		79	725-0201		Ignition Key	
36	14671		Fender Clamp		80	710-0865		Hex Bolt 1/2-13 x 1.00" Lg. (Grade 5) (2-Req'd.)	
37	16197		Fender (R.H.)—Used w/Side Discharge Deck		81	736-0921		L-Wash. 1/2" I.D.*	
	14666		Fender (L.H.)—Used w/Side Discharge Deck		82	710-0376		Hex Bolt 5/16-18 x 1.0" *	
	16198		Fender (R.H.)—Used w/Rear Discharge Deck		83	732-0458		Seat Spring 5.5" High	
	15350		Fender (L.H.)—Used w/Rear Discharge Deck		84	725-0634		Light Switch	
38	710-0118		Hex Bolt 5/16-18 x .75" Lg.*		86	725-0925		Ammeter	
39	14602		R.H. Side Frame		88	731-0511		Molding Strip 27" Lg.	
40	710-0258		Hex Bolt 1/4-20 x .62" Lg.*		89	738-0526		Running Board Rod	
41	722-0157		Foam Strip		93	738-0724		Shld. Bolt .375 Dia. x .125	
45	14603		L.H. Side Frame		94	712-0380		L-Nut 1/4-28 Thd.	
					95	731-0511		Trim Strip 31.0" Lg.	
					97	726-0139		Speed Nut #10Z	
					100	16371		Brake Cable Bracket	
					101	726-0197		Cable Tie	
					104	722-0157		Foam Strip 3/8 x 1-1/8 x 1-1/2	

\*For faster service obtain standard nuts, bolts and washers locally. If these items cannot be obtained locally, order by part number and size as shown on parts list.

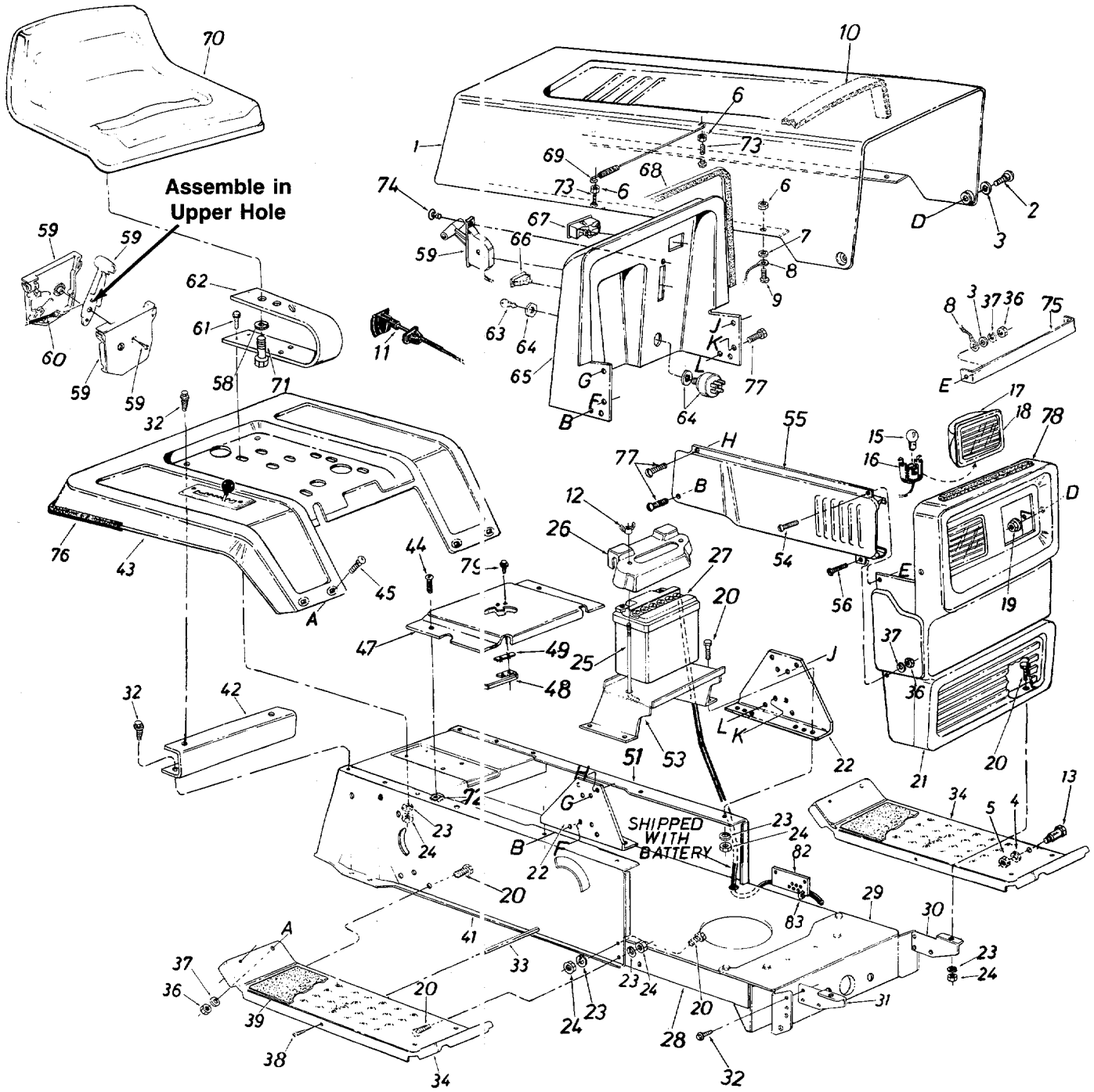
If color or finish is important when ordering parts, use the appropriate color code shown below [i.e. (part no.)-463 for Topflite Red Finish].

### Color Codes

312—White	463—Topflite Red
436—Radiant Yellow	480—Brilliant Green
447—Patina Silver	483—Charcoal Grey
452—Black	499—Beige
456—Radiant Tangerine	606—Majestic Orange
460—Green Flake	629—Silver Flake

†Used with Grille Ref. No. 30 (Style 2).

# Style 3 (Models 573, 583, 663, 673, 683, 693)





# Style 3 (Models 573, 583, 663, 673, 683, 693)

## PARTS LIST FOR FRONT ENGINE LAWN TRACTORS

REF. NO.	PART NO.	COLOR CODE	DESCRIPTION	NEW PART	REF. NO.	PART NO.	COLOR CODE	DESCRIPTION	NEW PART
1	15808		Hood		45	710-0167		Carriage Bolt 1/4-20 x .50" Lg.*	
2	738-0724		Shld. Bolt .375 Dia. x .125					Transmission Panel	
3	736-0413		Washer .39" I.D. x .62" O.D.		47	16433		Reverse Safety Switch	
4	736-0169		L-Wash. 3/8" I.D.*		48	725-0759		Insulator Nut Plate	
5	712-0798		Hex Nut 3/8-16 Thd.*		49	726-0222		L.H. Side Frame	
6	712-0272		Hex Sems Nut #10-24 Thd.*		51	14603		Battery Bracket	
7	736-0931		FI-Wash. .203" I.D. x .41" O.D. x .040		53	12747		Truss Hd. Scr. 1/4-20 x .75" Lg.*	
8	727-0290		Hood Stop		54	710-0255		Side Cover—R.H.	
9	710-0473		Truss Hd. Scr. #10-24 x 1/2" Lg.*		55	16469		Side Cover—L.H. (Not Shown)	
10	722-0138		PVC Foam			15815		Truss Mach. Scr. 1/4-20 x .50" Lg.*	
11	746-0613		Choke Control 44.0" Lg.		56	710-0286		L-Wash. 1/2" I.D.*	
12	712-0113		Wing Nut 1/4-20 Thd.—Plastic					Throttle Control Box Ass'y.	
13	738-0145		Shld. Bolt .50" Dia. x .84		58	736-0921		Throttle Control Wire 35"	
15	725-0963		Lamp		59	831-0823		Hex Bolt 5/16-18 x 1.0"*	
16	725-1058		Twist Lock—Lamp Socket		60	746-0634		Seat Spring 5.5" High	
17	731-0705		Headlight Housing		61	710-0376		Ignition Key	
18	731-0706		Lens		62	732-0458		Ignition Switch	
19	712-0380		L-Nut 1/4-28 Thd.		63	725-0201		Dash Panel	
20	710-0118		Hex Bolt 5/16-18 x .75" Lg.*		64	725-0267		Light Switch	
21	15804		Grille		65	16489		Ammeter	
22	15818		Dash Support Bracket		66	725-0634		Trim Strip—27"	
23	736-0119		L-Wash. 5/16" I.D.*		67	725-0925		Hood Spring	
24	712-0267		Hex Nut 5/16-18 Thd.*		68	731-0511		Seat Ass'y.	
25	711-0222		Battery Hold Down Rod		69	732-0462		Hex Bolt 1/2-13 x 1.0" Lg. (2 Req'd.)	
26	731-0707		Battery Cover		70	757-0318		Speed Nut #10Z	
27	725-0453		12 Volt Battery		71	710-0865		Hex Scr. #10-24 x 1.0" Lg.	
28	14606		Lower Frame					Truss Mach. AB-Tap Scr. #10 x .5" Lg.	
29	14619		Front Pivot Brk't.		72	726-0139		Tie Strap—Grille/Side Panel	
30	15821		Grille Mount Brk't.—L.H.		73	710-0749		Trim Strip—81"	
31	15822		Grille Mount Brk't.—R.H.		74	710-0779		Hex Wash. Hd. Tap Scr. 1/4 x .75" Lg.	
32	710-0726		Hex Wash. Hd. AB-Tap Scr. 5/16 x .75" Lg.		75	15931		Foam Strip 3/8 x 1-1/8 x 1 1/2" Lg. (2-Req'd.)	
33	738-0526		Running Board Rod		76	731-0511		Hex Wash. Hd. AB-Tap Scr. #8 x .50" Lg.	
34	14604		Running Board (R.H. & L.H.)		77	710-0642		Brake Cable Bracket	
36	712-0287		Hex Nut 1/4-20 Thd.*					Cable Tie	
37	736-0329		L-Wash. 1/4" I.D.*		78	722-0157			
38	710-0323		Truss Mach. Scr. 5/16-18 x .75" Lg.*		79	710-0227			
39	723-0360		Foot Pad						
41	14602		R.H. Side Frame		82	16371			
42	15848		Fender Mount Brace		83	726-0154			
43	16221		Rear Fender						
44	710-0351		Truss Mach. Tap Scr. #10 x .50" Lg.						

\*For faster service obtain standard nuts, bolts and washers locally. If these items cannot be obtained locally, order by part number and size as shown on parts list.

If color or finish is important when ordering parts, use the appropriate color code shown below [i.e. (part no.)-463 for Topflite Red Finish].



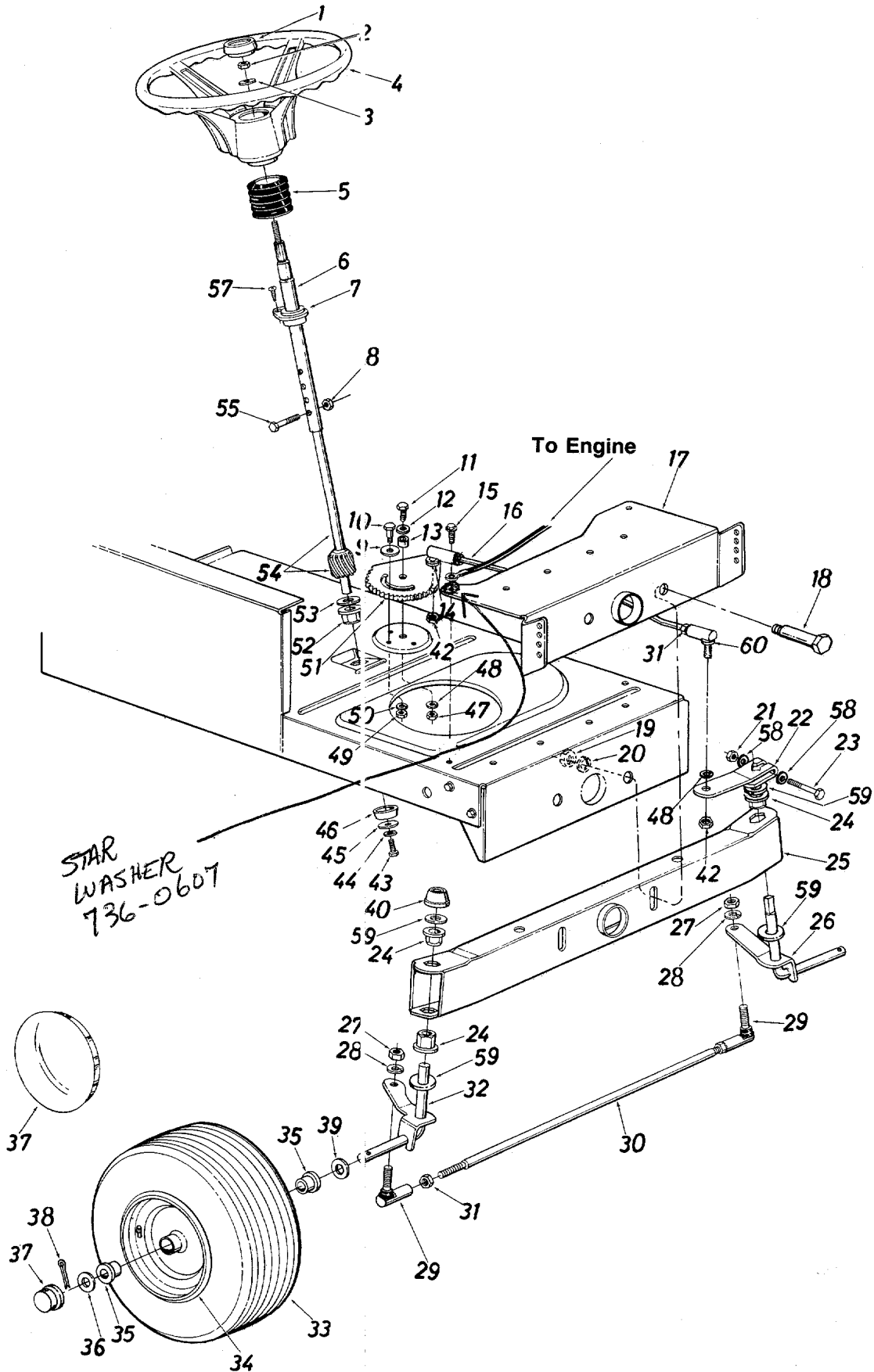
This instruction manual covers various models, and all specifications shown do not necessarily apply to your model. Specifications subject to change without notice or obligation.

### Color Codes

312—White  
436—Radiant Yellow  
447—Patina Silver  
452—Black  
456—Radiant Tangerine  
460—Green Flake

463—Topflite Red  
480—Brilliant Green  
483—Charcoal Grey  
499—Beige  
606—Majestic Orange  
629—Silver Flake

# Models 572 thru 587, 662 thru 697



# Models 572 thru 587, 662 thru 697

## PARTS LIST FOR FRONT ENGINE LAWN TRACTORS

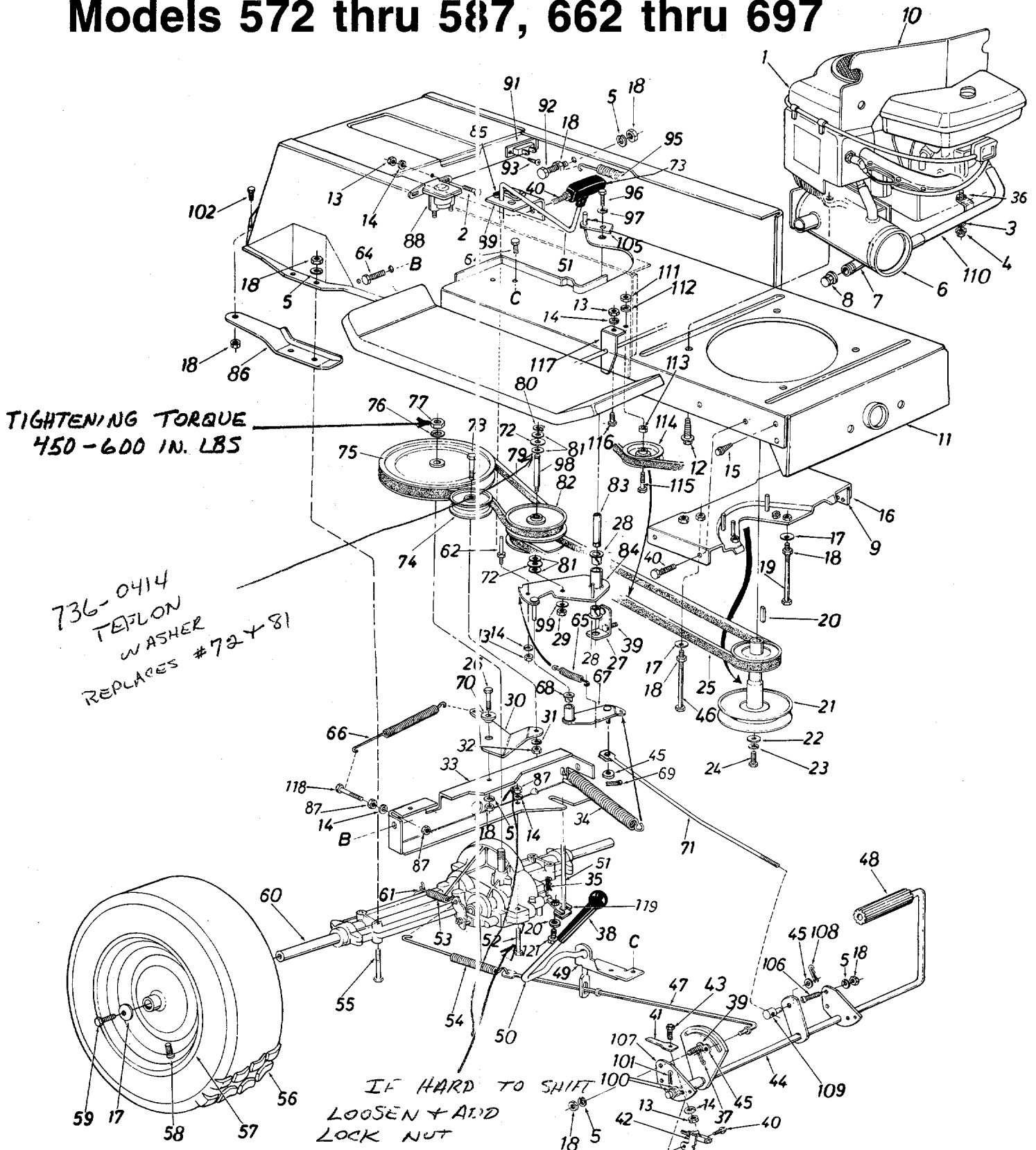
REF. NO.	PART NO.	COLOR CODE	DESCRIPTION	NEW PART	REF. NO.	PART NO.	COLOR CODE	DESCRIPTION	NEW PART
1	731-0220		Steering Wheel Cap		30	711-0613		Tie Rod	
2	712-0237		Hex L-Nut 5/16-24 Thd.		31	712-0711		Hex Jam Nut 3/8-24 Thd.*	
3	736-0242		Belleville Wash. .345" I.D.		32	14650		Front Axle Ass'y.—R.H.	
4	731-0805		Steering Wheel (3 Spoke)		33	**		Wheel Ass'y. Comp.	
	731-0806		Steering Wheel (4 Spoke)		34	**		Front Wheel Rim Only	
5	731-0559		Steering Bellow		35	741-0487		Bearing	N
6	16512		Steering Column Ass'y.		36	736-0187		FI-Wash. .640" I.D. x 1.54" O.D.	
7	741-0356		Flange Bearing .890 I.D. x 1.36 O.D.		37	731-0484		Front Wheel Hub Cap	
8	712-0324		Hex L-Nut 1/4-20 Thd.			734-0541		Front Wheel Hub Cap (Chrome—Optional)	
9	736-0319		FI-Wash. .438" I.D. x 1.37"		38	714-0470		Cotter Pin 1/8" Dia. x 1.25" Lg.*	
10	738-0141		Shoulder Bolt .437" Dia. x .35 Lg. 5/16-18 Thd.		39	736-0187		FI-Wash. .640" I.D. x .24" O.D.	
11	710-0152		Hex Bolt 3/8-24 x 1.0" Lg. (Grade 5)		40	726-0214		Push Cap 5/8" Dia. Rod	
12	<del>736-0258</del> 0219		FI-Wash. .38" I.D. x 1.0"		42	712-0241		Hex Nut 3/8-24 Thd.*	
13	750-0535		Spacer .380" I.D. x .625" O.D. x .227		43	710-0538		Hex L-Bolt 5/16-18 x .62"*	
14	736-0169		L-Wash. 3/8" I.D.*		44	736-0119		L-Wash. 5/16" I.D.*	
15	710-0726		Hex Wash. Hd. Self-Tap Scr.		45	736-0231		FI-Wash. .344" I.D. x 1.25" O.D.	
16	711-0788		Steering Drag Link		46	750-0532		Spacer (Plastic)	
17	14619		Front Pivot Brkt.		47	712-0241		Hex Nut 3/8-24 Thd.*	
18	738-0527		Shoulder Bolt .498" Dia. x 2.04 Lg. 3/8-16 Thd.		48	736-0169		L-Wash. 3/8" I.D.*	
19	712-0798		Hex Nut 3/8-16 Thd.*		49	712-0267		Hex Nut 5/16-18 Thd.*	
20	736-0169		L-Wash. 3/8" I.D.*		50	736-0119		L-Wash. 5/16" I.D.*	
21	712-0237		Hex Cent. L-Nut 5/16-24 Thd.		51	717-0622		Steering Gear Segment	
22	16481		Steering Arm Front Axle		52	741-0225		Hex Fig. Brg. .634 I.D.	
23	710-0772		Hex Bolt 5/16-24 x 2.00" Lg. (Grade 5)		53	736-0187		FI-Wash. (Hardened)	
24	741-0225		Hex Fig. Brg. .634 I.D.		54	738-0522		Steering Shaft Lower	
25	14608		Pivot Bar Ass'y.		55	710-0958		Hex Bolt 1/4-20 x 1.31" Lg.	
26	16479		Front Axle Ass'y.—L.H.		57	710-0837		Oval Hd. Cr.—Sunk Scr. #10 x 5/8" Lg.	
27	712-0241		Hex Nut 3/8-24 Thd.*		58	736-0271		Wave Wash. .32" I.D. x .62"	
28	736-0169		L-Wash. 3/8" I.D.*		59	736-0187		FI-Wash. (Hardened)	
29	723-0156		Ball Joint 3/8-24 Thd.		60	723-3018		Drag Link Ball Joint 3/8-24 Thd.	

\*For faster service obtain standard nuts, bolts and washers locally. If these items cannot be obtained locally, order by part number and size as shown on parts list.

### \*\*FRONT WHEEL CHART

Description	15 x 6.00 (Rib Tread)	15 x 6.00 (Turf Tread)
Wheel Assembly Comp.	734-1231	734-0863
Tire Only	734-1232	734-0864
Rim Only	734-0997	734-0997
Bearing	741- <del>0313</del> 0487	741- <del>0313</del> 0487
Air Valve	734-0255	734-0255
Grease Fitting	737-0146	737-0146

# Models 572 thru 587, 662 thru 697



**\*\*REAR WHEEL CHART**

Description	18 x 9.50	18 x 8.50	18 x 6.50	16 x 6.50	18 x 5.5
Wheel Assembly Comp.	734-0817	734-0601	734-1132	734-0591	734-1190
Tire Only	734-0443	734-0516	734-0294	734-0275	734-1197
Rim Only	734-0603	734-0603	734-1133	734-0594	734-1191

# Models 572 thru 587, 662 thru 697

## PARTS LIST FOR FRONT ENGINE LAWN TRACTORS

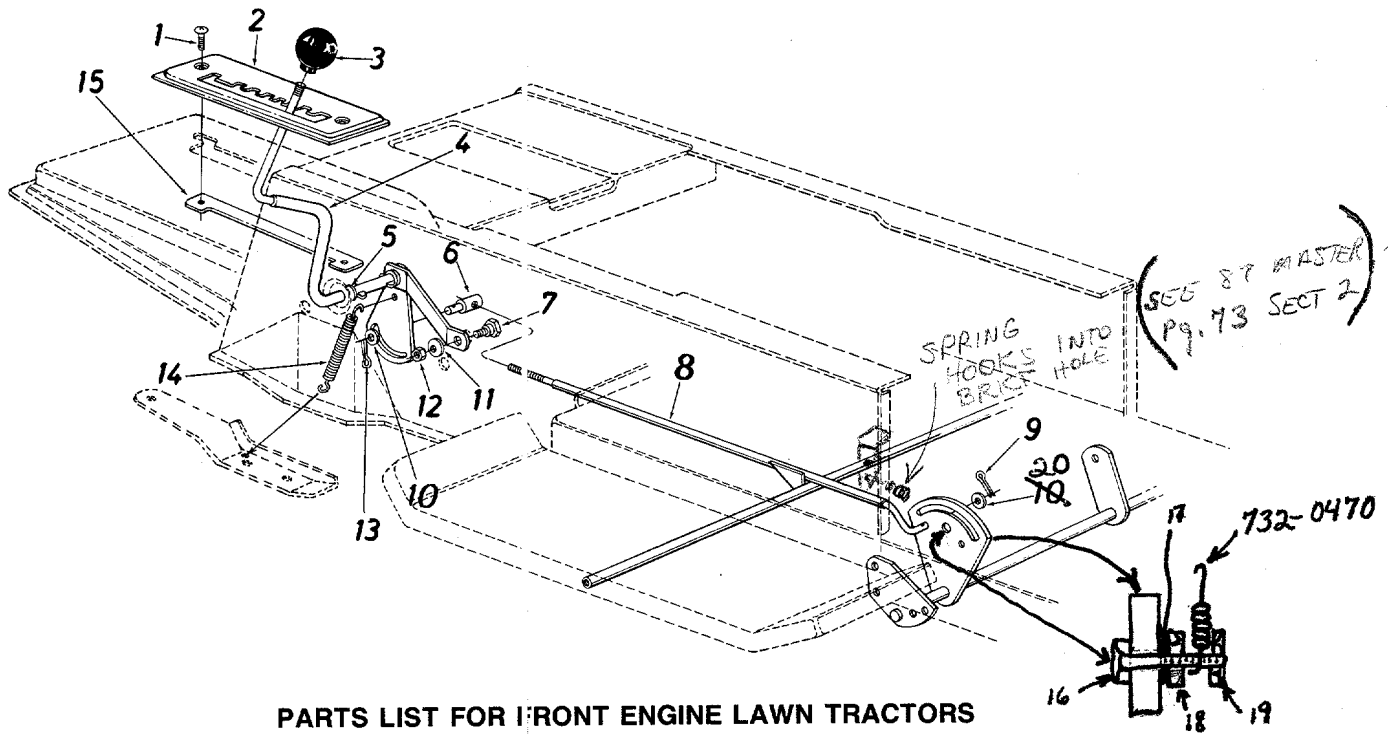
REF. NO.	PART NO.	COLOR CODE	DESCRIPTION	NEW PART	REF. NO.	PART NO.	COLOR CODE	DESCRIPTION	NEW PART
1	—		Engine		50	15888		Hill Holder Brake Handle	
2	710-0258		Hex Bolt 1/4-20 x .62" Lg.*		51	16430		Shift Lever Ass'y.	
3	736-0170		Special L-Wash. 5/16" I.D.		52	710-0559		Hex Bolt 1/4-28 x 1.75" Lg.*	
4	712-0267		Hex Nut 5/16-18 Thd.*		53	732-0264		Ext. Spring x 2.5" Lg.	
5	736-0119		L-Wash. 5/16" I.D.*		54	732-0413		Ext. Spring x 7.08" Lg.	
6	751-0444		Exhaust Muffler		55	710-0176		Hex Bolt 5/16-18 x 2.75"*	
7	737-0164		Pipe Nipple		56	**		Wheel Ass'y. Comp.	
8	737-0143		Cap Oil Drain		57	**		Wheel Rim Only	
9	16371		Brake Cable Brk't.		58	734-0255		Air Valve (Service Only)	
10	16215		Heat Shield (Style 2 and 7)		59	710-0627		Hex Bolt 5/16-24 x .75" Lg.*	
	16224		Heat Shield (Style 3)		60	717-1050		Transaxle Complete—R.H.	
11	15930		Lower Frame Ass'y.		61	732-0454		Brake Return Spring Anchor	
12	710-0502		Hex Wash. Hd. TT-Tap Scr. 3/8-16 x 1.25" Lg.		62	711-0768		Belt Guard Pin 1/4-20 Thd.	
13	712-0287		Hex Nut 1/4-20 Thd.*		64	710-0604		Hex Wash. TT-Tap Scr. 5/16 x .62" Lg.	
14	736-0329		L-Wash. 1/4" I.D.*		65	732-0568		Ext. Spring	
15	710-0726		Hex Wash. Hd. AB-Tap Scr. 5/16" x .75" Lg.		66	732-0384		Ext. Spring .62" O.D. x 6.12"	
16	16219		Belt Guard Brkt. Ass'y.		67	16554		Variable Speed Torque Brkt. Ass'y.	N
17	736-0242		Bell-Wash. .345" I.D. x .88"		68	741-0419		Flanged Bearing	
18	712-0267		Hex Nut 5/16-18 Thd.*		69	714-0507		Cotter Pin 3/32" Dia.*	
19	710-0190		Hex Bolt 5/16-18 x 4.00"*		70	748-0234		Shoulder Spacer .500" Dia. x .27" Lg.	
20	714-0114		Sq. Key 1/4" x 1/4" x 2.00"		71	747-0530		Speed Control Link	
21	756-0424		Engine Pulley (Use w/38" & 44" Decks) <small>DEEP</small>		72	741-0405		Truss Bearing .56 Dia. x 1.25"	
	756-0458		Engine Pulley (Use w/40" Deck)		73	720-0165		Ball Knob	
22	736-0322		FI-Wash. 7/16" I.D. x 1.25"		74	756-0437		FI-Idler Pulley 3.25" x 1.0"	
23	736-0171		L-Wash. 7/16" I.D.*		75	756-0374		1/2" "V"-Pulley 8.0" O.D. x .501" I.D.	
24	710-0757		Hex Bolt 7/16-20 x 1.50" Lg.		76	736-0921		L-Wash. 1/2" I.D.*	
25	754-0280		Variable-Speed Belt		77	712-0922		Hex Jam Nut 1/2-20 Thd.*	
26	710-0118		Hex Bolt 5/16-18 x .75" Lg.*		78	710-0539		Hex Bolt 3/8-24 x .75" Lg.*	
27	16553		Bearing Shaft Bracket Ass'y.		79	754-0281		Variable-Speed Belt	
28	741-0295		Flanged Nylon Brg. 5/8" I.D. x .88" Lg.		80	716-0114		Snap Ring .56" Dia.	
29	712-0241		Hex Nut 3/8-24 Thd.*		81	736-0355		FI-Wash.	
30	15891		Idler Bracket		82	717-0800		Variable Speed Pulley Ass'y. 5" O.D.	
31	736-0169		L-Wash. 3/8" I.D.*		83	711-0766		Bearing Shaft	
32	712-0241		Hex Nut 3/8-24 Thd.*		84	16354		Variable Speed Brkt. Ass'y.	
33	15945		Transaxle Support Brkt.		85	732-0525		Comp. Spring Clip	
34	732-0459		Ext. Spring .94" O.D. x 6.7		86	14770		Transaxle Support Brkt.— R.H.	
35	714-0149		Inter. Cotter Pin			14769		Transaxle Support Brkt.— L.H. (Not Shown)	
36	736-0204		FI-Wash. .34" I.D. x .62" O.D. x .033		87	712-0138		Hex Nut 1/4-28 Thd.	
37	714-0507		Cotter Pin 3/32" Dia. x .75"*		88	725-0771		Solenoid	
38	720-0143		Grip—Black		89	16429		Shift Lever Bracket	
39	710-0323		Truss Mach. Scr. 5/16-18 x .75" Lg.		91	725-0459		Circuit Breaker	
40	710-0599		Hex Wash. Hd. Self-Tap Scr. 1/4-20 x .50" Lg.		92	710-0959		Hex Bolt 5/16-18 x 1.50" Lg.	
41	732-0435		Switch Actuator		93	710-0351		Truss Hd. Phil. Scr. #10 x 1/2" Lg.	
42	725-0577		Safety Switch		95	732-0307		Ext. Spring .99" O.D. x 11.0"	
43	710-0597		Hex Bolt 1/4-20 x 1.0" Lg.*		96	710-0180		Hex Bolt 3/8-24 x .75" Lg.*	
44	16235		Clutch & Brake Pedal Ass'y.		97	736-0105		Bell-Wash. .38" I.D. x .88"	
45	736-0117		FI-Wash.		98	738-0569		Shaft .56" Dia. x 3.875" Lg.	
46	710-0402		Hex Bolt 5/16-18 x 4.5"*		99	736-0331		Bell-Wash. .39" I.D. x 1.12"	
47	747-0519		Brake Rod 20.9" Lg.		100	736-0256		FI-Wash.	
48	735-0196		Foot Pad		101	714-0507		Cotter Pin 3/32" Dia. x .75"*	
49	15889		Brake Lever Bracket						

# Models 572 thru 587, 662 thru 697

## PARTS LIST FOR FRONT ENGINE LAWN TRACTORS (CONTINUED)

REF. NO.	PART NO.	COLOR CODE	DESCRIPTION	NEW PART	REF. NO.	PART NO.	COLOR CODE	DESCRIPTION	NEW PART
102	710-0604		Hex Wash. Hd. Scr. 5/16-18 x .62" Lg.		113	736-0280		FI-Wash. .390" I.D. x 1.12"	
105	16067		Belt Guard		114	756-0217		FI-Idler w/Flanges 2.750	
106	710-0118		Hex Bolt 5/16-18 x .75" Lg.*		115	710-0427		Hex Bolt 3/8-16 x 2.00" Lg.*	
107	15835		Pedal Bracket		116	710-0258		Hex Bolt 1/4-20 x .62" Lg.*	
108	714-0507		Cotter Pin 3/32 x .75" *		117	16181		Spring Hanger Bracket	
109	711-0198		Ferrule		118	710-0428		Hex Bolt 1/4-28 x 1.25" Lg.*	
110	751-0446		Inlet Tube Ass'y.		119	16437		Shift Lever Link Ass'y.	
111	712-0798		Hex Nut 3/8"-16 Thd.*		120	736-0270		Bell-Wash. .265 I.D. x .75 O.D.	
112	736-0169		L-Wash. 3/8" I.D.*		121	710-0195		Hex Bolt 1/4-28 x .62" Lg.	

# Models 572 thru 587, 662 thru 697



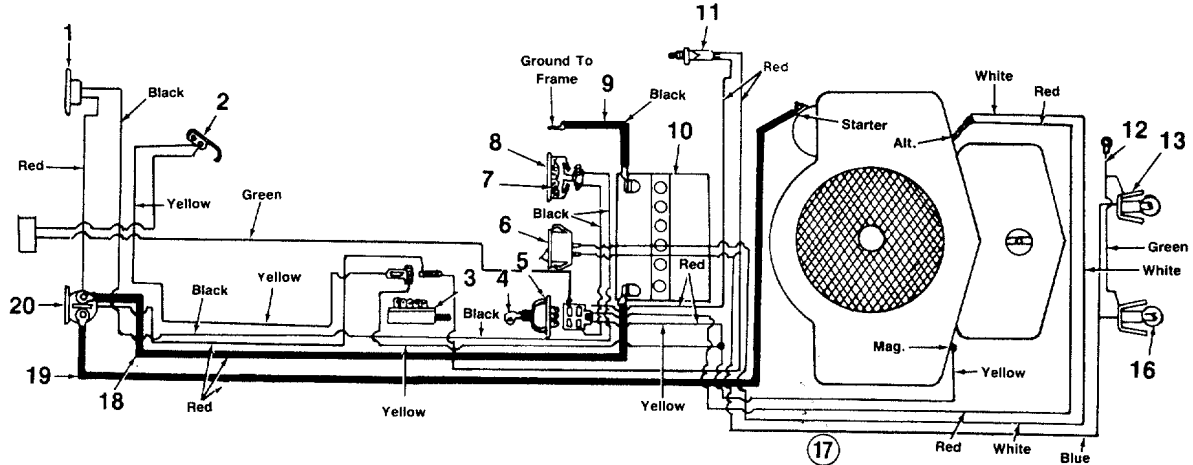
## PARTS LIST FOR FRONT ENGINE LAWN TRACTORS

REF. NO.	PART NO.	COLOR CODE	DESCRIPTION	NEW PART	REF. NO.	PART NO.	COLOR CODE	DESCRIPTION	NEW PART
1	710-0924		Truss Mach. Scr. 1/4-20 x .75" Lg.		5	736-0192		Flat Washer .53" I.D. x .93"	
2	16237		Speed Selector Plate 4-Speed		6	711-0198		Ferrule 3/8-24 x .37" Dia.	
	16195		Speed Selector Plate 5-Speed		7	738-0155		Shoulder Bolt .435" Dia. x .160	
	16236		Speed Selector Plate 6-Speed		8	16355		Speed Control Rod Ass'y.	
	16194		Speed Selector Plate 7-Speed		9	714-0507		Cotter Pin 3/32" Dia. x .75" *	
3	720-0175		Gear Shift Knob		10	736-0140		FI-Wash. .385" I.D. x .62"	
4	16192		Speed Selector Cam Ass'y.		11	736-0119		L-Wash. 5/16" I.D.*	
					12	712-0267		Hex Nut 5/16-18 Thd.*	
					13	714-0507		Cotter Pin 3/32 Dia. x .75" *	
					14	732-0303		Spring	
					15	16196		Clamping Plate	
					16	710-0376		5/16"-18 GRD. 5 1" LONG HEX BOLT	

17 736-0119  
 18 712-0267  
 19 712-0158  
 20 736-0226  
 5/16" L. WASHER  
 5/16"-18 HEX NUT  
 5/16"-18 L. HEX NUT  
 FL. WASHER .47 ID V. 88 OD

**Style 2** (Models 572, 582, 552, 562, 662, 672, 682, 692)

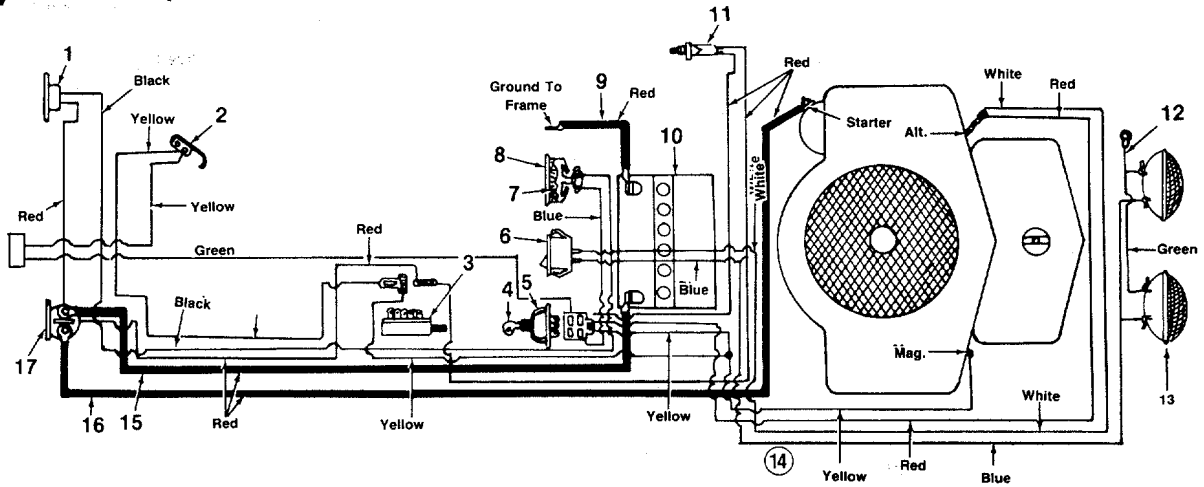
**Style 3** (Models 573, 583, 553, 563, 663, 673, 683, 693)



**PARTS LIST FOR ELECTRICAL SYSTEM**

REF. NO.	PART NO.	DESCRIPTION	NEW PART	REF. NO.	PART NO.	DESCRIPTION	NEW PART
1	725-0459	Circuit Breaker		10	725-0453	12 Volt Battery	
2	725-0759	Spring Switch		11	725-0577	Safety Switch	
3	725-0819	Safety Switch Dpst.		12	725-0916	Ground Wire	
4	725-0201	Ignition Key		13	725-1058	Socket	
5	725-0267	Ignition Switch		16	725-0963	Lamp	
6	725-0634	Headlight Switch		17	725-1179	Wire Harness	
7	722-0135	Foam Strip		18	725-1080	Electric Wire 27.0" Lg.	
8	725-0925	Ammeter		19	725-0562	Electric Wire 32.5" Lg.	
9	725-0994	Ground Wire 14.0" Lg.		20	725-0771	Solenoid	

**Style 7** (Models 577, 587, 667, 677, 687, 697)

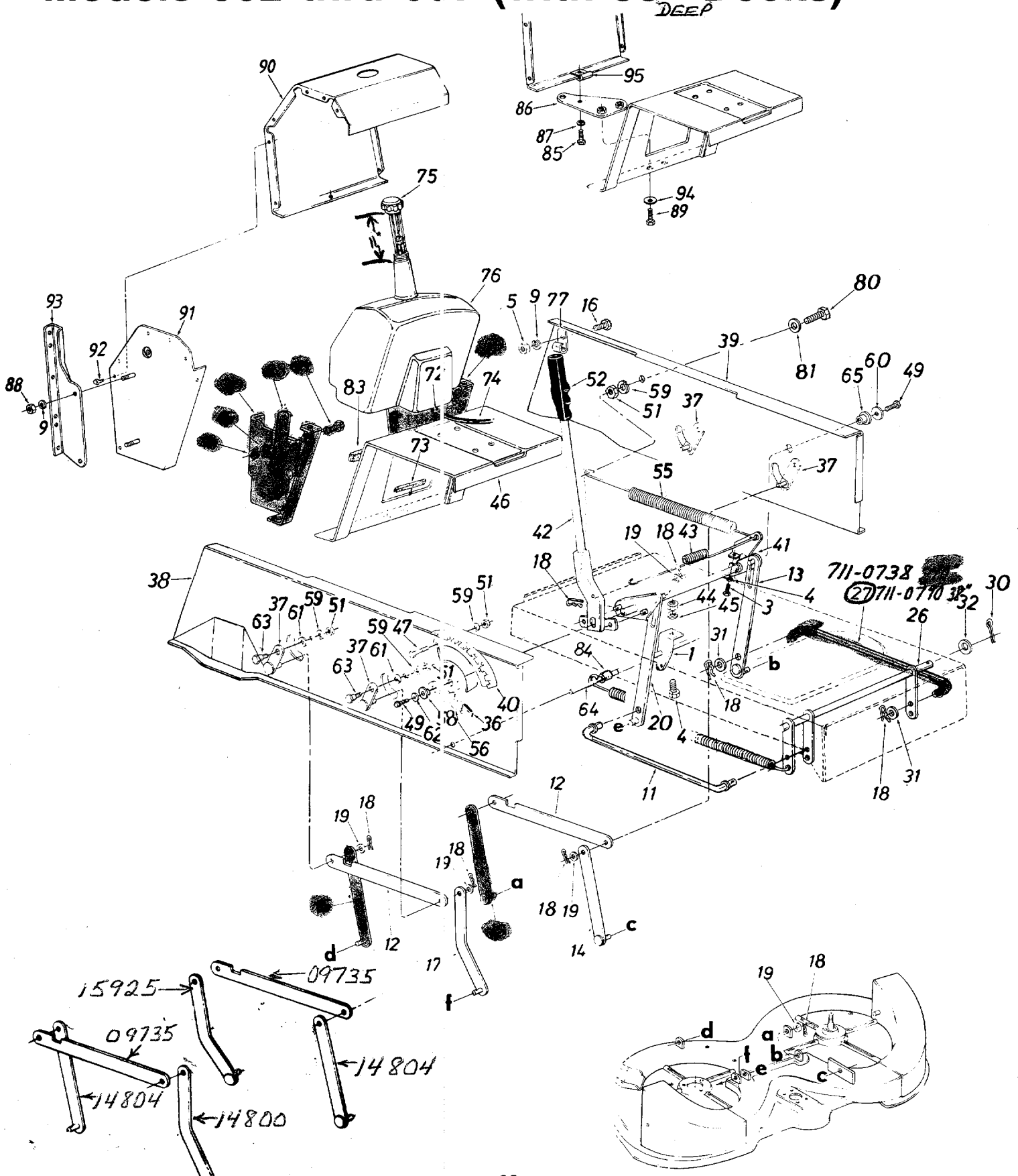


**PARTS LIST FOR ELECTRICAL SYSTEM**

REF. NO.	PART NO.	DESCRIPTION	NEW PART	REF. NO.	PART NO.	DESCRIPTION	NEW PART
1	725-0459	Circuit Breaker		10	725-0453	12 Volt Battery	
2	725-0759	Spring Switch		11	725-0577	Safety Switch	
3	725-0819	Safety Switch Dpst.		12	725-0916	Ground Wire	
4	725-0201	Ignition Key		13	725-0222	Headlight	
5	725-0267	Ignition Switch		14	725-1179	Wire Harness	
6	725-0634	Headlight Switch		15	725-1080	Electric Wire 27.0" Lg.	
7	722-0135	Foam Strip		16	725-0562	Electric Wire 32.5" Lg.	
8	725-0925	Ammeter		17	725-0771	Solenoid	
9	725-0994	Grounding Wire 14.0" Lg.					

190-060-000 BAG-IT<sub>2</sub>

# Models 572 thru 587 ~~with 38" Decks~~ Models 662 thru 667 (with 38" Decks)



38" DEEP DECK LINKAGE



# Models 572 thru 587 (with 40" Decks) Models 662 thru 667 (with 38" Decks)

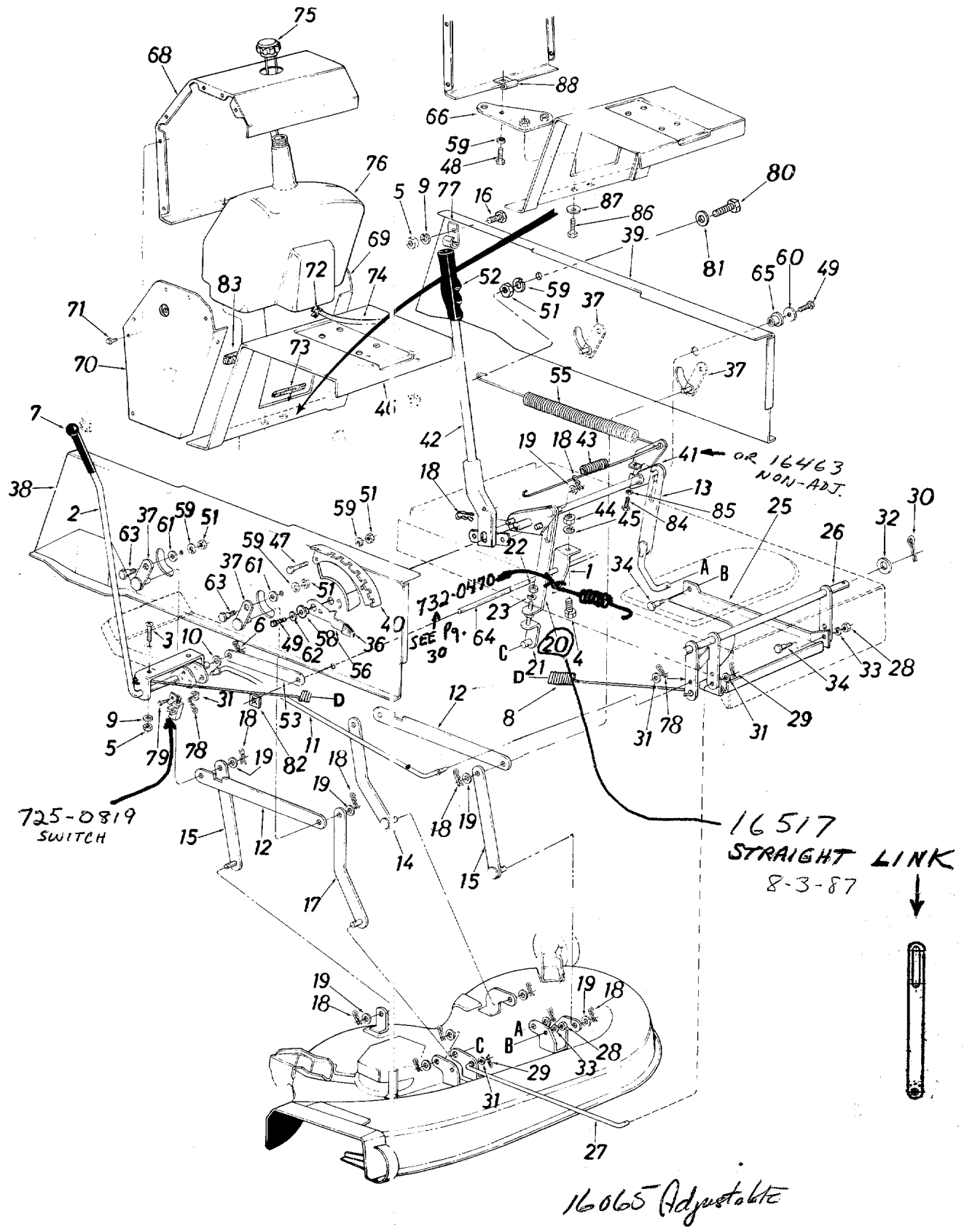
## PARTS LIST FOR FRONT ENGINE LAWN TRACTORS WITH 38" OR 40" DECKS

REF. NO.	PART NO.	COLOR CODE	DESCRIPTION	NEW PART	REF. NO.	PART NO.	COLOR CODE	DESCRIPTION	NEW PART
1	16181		Spring Hanger Bracket		56	732-0412		Deck Lift—Down Stop	
2	710-0602		Hex Tap. Scr. 5/16-18 x 1"		58	748-0176		Flange Brg. .630" I.D.	
3	712-3007		Hex Jam Nut 5/16-18 Thd.		59	736-0119		L-Wash. 5/16" I.D.*	
4	710-0258		Hex Bolt 1/4-20 x .62" Lg.*		61	736-0264		FI-Wash. .344" I.D. x .62" O.D. x .063	
5	712-0267		Hex Nut 5/16-18 Thd.*		62	736-0231		FI-Wash. .344" I.D. x 1.125" O.D.	
8	732-0410		Ext. Spring 13.25" Lg.		63	738-0140		Shld. Bolt .437" Dia. x .180	
9	736-0119		L-Wash. 5/16" I.D.*		64	738-0526		Running Board Rod	
11	711-0738		Stabilizer Rod		65	741-0313		Flange Brg. .632" I.D.	
12	09735		Connecting Rod		66	16330		Fender Support Brkt.	
13	14802		Deck Lift Link Ass'y.						
14	14804		Deck Hanger Link Ass'y.—Rear L.H.						
	5873		Deck Hanger Link Ass'y.						
16	710-0118		Hex Bolt 5/16-18 x .75" Lg.*						
17	14800		Deck Hanger Link Ass'y.—(Dog Leg)						
18	714-0101		Inter. Cotter Pin 1/2" Dia.		72	726-0207		Grass Catcher Support Brkt.—L.H. (Not Shown)†	
19	736-0160		FI-Wash. .531 I.D. x .93" O.D.		73	731-0511		Grass Catcher Support Brkt.—R.H. (Not Shown)†	
20	14802		Deck Lift Link Ass'y.		74	751-0173		Hex Bolt 1/4-20 x .50" Lg.*	
26	16234		Stabilizer Shaft Ass'y.		75	751-0226		Hose Clamp—.406" Dia.	
27					76	751-0403		Trim Strip—5" Lg.	
	711-0790		Stabilizer Rod (38" Decks)		77	726-0175		Gas Line—44" Lg.	
30	714-0470		Cotter Pin 1/8" Dia. x 1.25"*		80	710-0959		Gas Tank Cap 11" Lg.	
31	736-0117		FI-Wash. .385" I.D. x .620" O.D.		81	736-0159		Gas Tank	
32	736-0156		FI-Wash. .635" I.D. x 1.12" O.D.		83	722-0157		Hose Clamp	
36	08540		Knob—Height Adj.		84	711-0425		Hex Bolt 5/16-18 x 1.50" Lg.*	
37	09721		Pivot Link Ass'y.		85	710-0376		FI-Wash. .344" I.D. x .875" O.D.	
38	14602		Side Panel Upper Frame—R.H.		86	17166		Foam Strip 3/8" x 1-1/8" x 1 1/2" Lg. (2 Req'd.)	
39	14603		Side Panel Upper Frame—L.H.		87	736-0119		Spacer .523" I.D. x .640" O.D. x 1.95" Lg.	
40	16462		Index Brkt. (Deck Lift)		88	712-0267		Hex Bolt 5/16-18 x 1" Lg.—Gr. 5†	
41	17154		Lift Shaft Ass'y.	N	89	710-0623		Hitch Bar†	N
42	16465		Lift Handle Brkt. Ass'y.		90	16238		L-Wash. 5/16" I.D.*	
43	732-0498		Ext. Spring .56" I.D. x 32 Coils		91	17082		Hex Nut 5/16-18 Thd.*†	
			Hex Nut 1/4-20 Thd.*		92	17083		Self-Tap Scr. 3/4" Lg.†	
			L-Wash. 1/4" I.D.*		93	17077		Gas Tank Housing†	
46	16223		Hitch Plate		94	736-0105		Side Panel—R.H.†	
47	710-0118		Hex Bolt 5/16-18 x .75" Lg.*		95	726-0211		Side Panel—L.H. (Not Shown)†	
49	710-0604		Hex Wash. TT-Tap Scr. 5/16-18 x .62" Lg.					Truss Mach. B-Tap Scr. #10 x .50" Lg.†	
51	712-0267		Hex Nut 5/16-18 Thd.*					Mounting Bracket—R.H.†	
52	720-0157		Grip					Mounting Bracket—L.H. (Not Shown)† (Use With Optional Grass Catcher)	
55	732-0307		Ext. Spring 11" Lg.					Bell-Wash. 3/8" I.D.†	
								Speed Nut†	

†Units with 38" Decks Only (Models 662 thru 667).

†† DECK LINKS FOR 38" DECK; REFER TO SEPARATE DECK MANUAL

# Models 672 thru 697 (with 44" Decks)

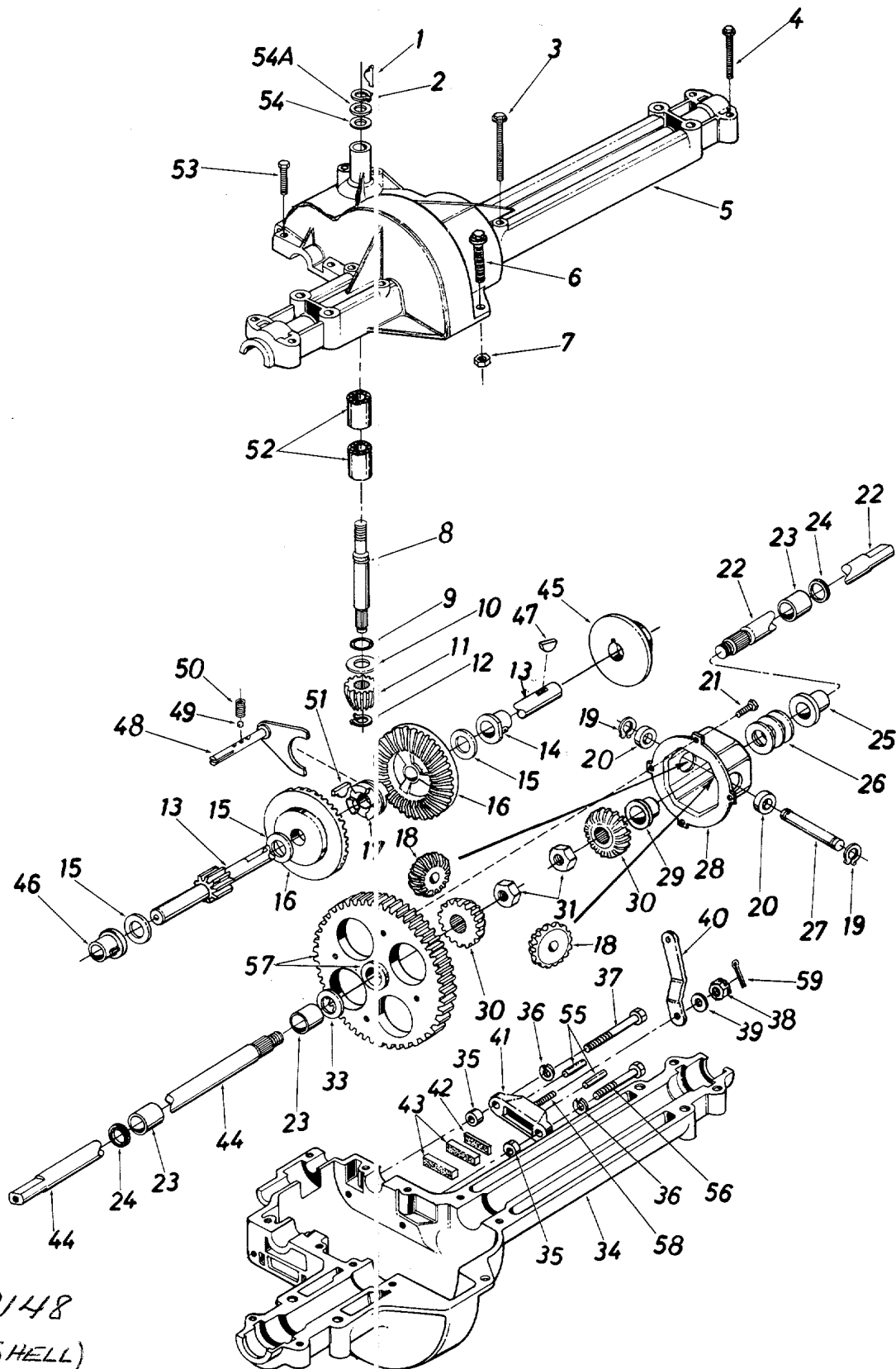


# Models 672 thru 697 (with 44" Decks)

## PARTS LIST FOR FRONT ENGINE LAWN TRACTORS WITH 44" DECKS

REF. NO.	PART NO.	COLOR CODE	DESCRIPTION	NEW PART	REF. NO.	PART NO.	COLOR CODE	DESCRIPTION	NEW PART
1	16181		Spring Hanger Bracket		43	732-0498		Ext. Spring .56" I.D. x 32 Coils	
2	16212		Deck Engagement Lever Ass'y.		44	712-0287		Hex Nut 1/4-20 Thd.*	
3	710-0323		Truss Mach. Scr. 5/16-18 x .75" Lg.*		45	736-0329		L-Wash. 1/4" I.D.*	
4	710-0258		Hex Bolt 1/4-20 x .62" Lg.*		46	16223		Hitch Plate	
5	712-0267		Hex Nut 5/16-18 Thd.*		47	710-0118		Hex Bolt 5/16-18 x .75" Lg.*	
6	714-0111		Cotter Pin 3/32" Dia. x 1.00" Lg.*		48	710-0376		Hex Bolt 5/16-18 x 1.00" Lg. (Grade 5)	
7	720-0143		Grip		49	710-0604		Hex Wash. TT-Tap Scr. 5/16-18 x .62" Lg.	
8	732-0531		Ext. Spring .99" O.D. x 22" Lg.		51	712-0267		Hex Nut 5/16-18 Thd.*	
9	736-0119		L-Wash. 5/16" I.D.*		52	720-0157		Grip	
10	736-0272		FI-Wash. .510" I.D. x 1.0" O.D.		53	16369		Link 1.0" x 7.5" x .19	
11	747-0491		Drive Deck Control Rod		55	732-0307		Ext. Spring .99" Dia. x 11.00" Lg.	
12	09735		Connecting Rod 3/16 x 1 x 12.5		56	732-0412		Deck Lift—Down Stop	
13	16178		Deck Lift Link Ass'y.		58	748-0176		Flange Brg. .630" I.D.	
14	16209		Deck Hanger Link Ass'y.—Rear L.H.		59	736-0119		L-Wash. 5/16" I.D.*	
15	16216		Deck Hanger Link Ass'y.		60	736-0231		FI-Wash. .344" I.D. x 1.125" O.D. x .125	
16	710-0118		Hex Bolt 5/16-18 x .75" Lg.*		61	736-0264		FI-Wash. .344" I.D. x .62" O.D. x .063	
17	16345		Deck Hanger Link Ass'y.—Front R.H.		62	736-0231		FI-Wash. .344" I.D. x 1.125" O.D.	
18	714-0101		Inter. Cotter Pin 1/2" Dia.		63	738-0140		Shld. Bolt .437" Dia. x .180	
19	736-0160		FI-Wash. .531 I.D. x .93" O.D.		64	738-0526		Running Board Rod	
20	<del>16063</del> 16517		Adj. Link Deck Lifting		65	741-0313		Flange Brg. .632" I.D.	
21	<del>16342</del>		Adj. Lower Link Ass'y.		66	17166		Hitch Bar	
22	<del>712-0241</del>		Hex Jam Nut 3/8-24 Thd.		68	16238		Gas Tank Housing	
23	<del>736-0169</del>		L-Wash. 3/8" I.D.*		69	16239		Side Panel—L.H.—Gas Tank	
24					70	16240		Side Panel—R.H.—Gas Tank	
25	16214		Diagonal Brace		71	710-0351		Truss Mach. B-Tapp Scr. #10 x .50" Lg.	
26	16234		Stabilizer Shaft Ass'y.		72	726-0207		Hose Clamp—.406" Dia.	
27	711-0777		Stabilizer Rod		73	731-0511		Trim Strip—5" Lg.	
28	712-0798		Hex Nut 3/8-16 Thd.*		74	751-0173		Gas Line—44" Lg.	
29	714-0111		Cotter Pin 3/32" Dia. x 1.0" Lg.		75	751-0226		Gas Tank Cap	
30	714-0470		Cotter Pin 1/8" Dia. x 1.25" Lg.*		76	751-0403		Gas Tank	
31	736-0117		FI-Wash. .385" I.D. x .620" O.D.		77	726-0175		Hose Clamp	
32	736-0156		FI-Wash. .635" I.D. x 1.12" O.D.		78	714-0507		Cotter Pin 3/32" Dia. x .75" Lg.	
33	736-0169		L-Wash. 3/8" I.D.*		79	710-0599		Hex Wash. Hd. Tap Scr. 1/4 x .50" Lg.	
34	738-0258		Shoulder Bolt 3/8-16		80	710-0959		Hex Bolt 5/16-18 x 1.50" Lg.*	
36	08540		Knob—Height Adj.		81	736-0159		FI-Wash. .344" I.D. x .875" O.D.	
37	09721		Pivot Link Ass'y.		82	712-0247		Speed Nut .5" Dia. Stud	
38	14602		Side Panel Upper Frame—R.H.		83	722-0157		Foam Strip 3/8" x 1-1/8" x 1 1/2" Lg. (2 Req'd.)	
39	14603		Side Panel Upper Frame—L.H.		84	710-0602		Hex Tap Scr. 5/16-18 x 1"	
40	16462		Index Brkt. (Deck Lift)		85	712-3007		Hex Jam Nut 5/16-18 Thd.	
41	17154		Lift Shaft Ass'y.	N	86	710-0623		Self-Tap Scr. 3/4" Lg.	
42	16465		Lift Handle Brkt. Ass'y.		87	736-0105		Bell-Wash. 3/8" I.D.	
					88	726-0211		Speed Nut	

# Models 572 thru 587, 662 thru 697



737-0148  
10 OZS. (SHELL)

**SINGLE SPEED TRANSAXLE—R.H.  
MODEL 717-1050**

# Models 572 thru 587, 662 thru 697

## PARTS LIST FOR SINGLE SPEED TRANSAXLE RIGHT HAND 717-1050

REF. NO.	PART NO.	COLOR CODE	DESCRIPTION	NEW PART	REF. NO.	PART NO.	COLOR CODE	DESCRIPTION	NEW PART
1	714-0129		#4 Hi-Pro Key 3/32 x 5/8" Dia.		33	736-0351		FI-Wash. .75" I.D. x 1.5" O.D.	
2	716-0115		Snap Ring .625" Shaft		34	717-0761		Lower Housing	
3	710-0854		Hex Bolt 1/4-20 x 1.75" Lg.*		35	750-0555		Spacer .53" O.D. x 3/8" Lg.	
4	710-0809		Hex Bolt 1/4-20 x 1.25" Lg.*		36	736-0329		L-Wash. 1/4" I.D.*	
5	717-0764		Upper Housing		37	710-0886		Hex Bolt 1/4-20 x 1.50" Lg. (Grade 5)	
6	710-0642		Hex FI-Bolt 1/4-20 x .75" Lg.		38	712-0335		Castle Nut 5/16-24 Thd.*	
7	712-0287		Hex Nut 1/4-20 Thd.*		39	736-0371		FI-Wash. .34" I.D. x .875" O.D.	
8	717-0634		Input Shaft		40	717-0700		Actuating Arm—R.H.	
9	721-0178		Square Seal 5/8" I.D.		41	717-0679		Brake Yoke	
10	736-0335		Thrust Washer 5/8" I.D. x 1.25" O.D.		42	717-0682		Puck Plate	
11	717-0633		Pinion Input 14T		43	717-0678		Brake Puck	
12	716-0108		Retaining Ring 7/16" Ext.		44	717-1011		Axle L.H.	
13	717-0758		Drive Shaft—R.H.		45	717-0677		Brake Disc	
14	741-0336		Flange Brg. 5/8" I.D. x 3/4" Lg.*		46	741-0337		Flange Bearing 5/8" I.D. x 15/16" Lg.	
15	**		FI-Wash. (See Below)		47	714-0161		Woodruff Key 3/16 x 5/8 HT	
16	717-0757		Bevel Gear 42T		48	717-0754		Shift Fork Ass'y.	
17	717-0667		Clutch Collar		49	741-0862		Ball Detent .250" Dia.	
18	717-1020		Miter Gear 15T—H.D.		50	732-0863		Spring Detent	
19	716-0142		Snap Ring		51	714-0169		#9 Hi-Pro Key 3/16" x 3/4" Dia. HT	
20	717-0690		Thrust Bearing 1/2" I.D. x 1.0" O.D.		52	741-0335		Needle Brg. 5/8" I.D. x 1/2" Lg.	
21	710-0862		Pan Head Scr. 1/4-20 x .50" Lg. w/Patch		53	710-0855		Hex Bolt 1/4-20 x 1.00" Lg.	
22	717-1012		Axle R.H.		54	736-0336		FI-Wash. 5/8" I.D. x .030	
23	741-0340		Sleeve Bearing 3/4" I.D. x 1.0" Lg.		54A	736-0337		FI-Wash. 5/8" I.D. x .040	
24	721-0179		Oil Seal 3/4" I.D.		54B	736-0349		FI-Wash. 5/8" I.D. x .020	
25	741-0339		Flange Bearing 3/4" I.D. x 15/16" Lg.		55	741-0343		Actuating Pin 5/16" Dia.	
26	736-0188		FI-Wash. .760" I.D. x 1.49" O.D.		56	710-0886		Hex Bolt 1/4-20 x 1.50" Lg. (Grade 5)	
27	717-0673		Cross Shaft		57	717-1059		Differential Gear 72T Ass'y. w/Bearing	
28	717-0777		Differential Housing Ass'y.		58	717-0796		Sq. Hd. Bolt 5/16-24 Thd.	
29	—		Comes with Ref. 28		59	1544-013		Cotter Pin 3/32" Dia. x .50" Lg.	
30	717-1019		Miter Gear—H.D.		—	737-0148		Grease—Shell (10 oz.)	
31	712-0200		Hex Ins. L-Nut 1/2-20 Thd.						N

\*\*Ref. No. 15 736-0349 FI-Wash. 5/8" I.D. x 1.0" O.D. x .020 Thk.  
 736-0336 FI-Wash. 5/8" I.D. x 1.0" O.D. x .030 Thk.  
 736-0337 FI-Wash. 5/8" I.D. x 1.0" O.D. x .040 Thk.

# PARTS INFORMATION

## POWER EQUIPMENT PARTS AND SERVICE

Parts and service are available through the authorized service firms listed below. All orders should specify the model number of your unit, part numbers, description of parts and the quantity of each part required.

NOTE: If any parts are found to be missing or defective upon assembly of this unit, write to advise the factory so that immediate replacement can be made.

<b>ALABAMA</b>	<b>BIRMINGHAM</b>
Auto Electric & Carburetor Co. . . . .	2625 4th Ave. S. . . . . 15233
<b>ARKANSAS</b>	<b>NORTH LITTLE ROCK</b>
Sutton's Lawn Mower Shop. . . . .	5301 Roundtop Drive Box 368, Rt. 4 . . . . . 72117
<b>CALIFORNIA</b>	<b>PORTERVILLE</b>
Billious . . . . .	75 North D Street . . . . . 93257
<b>COLORADO</b>	<b>DENVER</b>
Spitzer Industrial Products Co. . . . .	6601 N. Washington St. . . . . 81229
<b>FLORIDA</b>	<b>JACKSONVILLE</b>
Radco Distributors . . . . .	4909 Victor St. Box 5459 . . . . . 31207
Small Eng. Dist. . . . .	<b>HIALEAH</b>
<b>GEORGIA</b>	7995 W. 26th Court . . . . . 31016
East Point Cycle & Key Inc. . . . .	<b>EAST POINT</b>
<b>ILLINOIS</b>	2834 Church St. . . . . 31344
Keen Edge Co. . . . .	<b>LYONS</b>
<b>INDIANA</b>	8615 Ogden Ave. . . . . 60534
Parts & Sales Inc. . . . .	<b>ELKHART</b>
<b>IOWA</b>	2101 Industrial Pkwy. . . . . 46516
Power Lawn & Garden Equip. . . . .	<b>DUBUQUE</b>
<b>LOUISIANA</b>	2551 J.F. Kennedy . . . . . 52101
Suhren Engine Co. . . . .	<b>NEW ORLEANS</b>
<b>MARYLAND</b>	8330 Earhart Blvd. . . . . 70118
Center Supply Co. . . . .	<b>TAKOMA PARK</b>
<b>MASSACHUSETTS</b>	6867 New Hampshire Ave. . . . . 20812
Morton B. Collins Co. . . . .	<b>SPRINGFIELD</b>
<b>MICHIGAN</b>	300 Birnie Ave. . . . . 01107
Lorenz Service Co. . . . .	<b>LANSING</b>
<b>MINNESOTA</b>	2500 S. Pennsylvania . . . . . 48910
Hance Distributing Inc. . . . .	<b>MOUNT CLEMENS</b>
<b>MISSOURI</b>	340 Hubbard . . . . . 48043
Oscar Wilson Engine & Parts . . . . .	<b>HOPKINS</b>
<b>NEBRASKA</b>	420 Excelsior Ave. W. . . . . 55313
Automotive Equip. Service . . . . .	<b>EARTH CITY</b>
Ross-Frazier Supply Co. . . . .	4159 Shoreline Dr. . . . . 63045
<b>NEW HAMPSHIRE</b>	<b>KANSAS CITY</b>
Henzler, Inc. . . . .	3117 Holmes St. . . . . 64119
<b>NEW JERSEY</b>	<b>ST. JOSEPH</b>
Piersons . . . . .	8th and Monterey . . . . . 64513
<b>NEW MEXICO</b>	<b>ST. LOUIS</b>
Spitzer Eng. & Parts Co. . . . .	2015 Lemay Ferry Rd. . . . . 63125
	<b>ALLOWAY</b>
	Canal St. . . . . 08001
	<b>ALBUQUERQUE</b>
	1023 Third Ave. N.W. . . . . 87103

## BRIGGS AND STRATTON, TECUMSEH AND PEERLESS PARTS AND SERVICE

Briggs & Stratton, Tecumseh and Peerless parts and service should be handled by your nearest authorized engine service firm. Check the yellow pages of your telephone directory under the listing **Engines—Gasoline**, Briggs & Stratton or Tecumseh Lauson.

<b>NEW YORK</b>	<b>CARTHAGE</b>
Gamble Dist., Inc. . . . .	West End Ave. . . . . 13619
<b>NORTH CAROLINA</b>	<b>GREENSBORO</b>
Dixie Sales Company . . . . .	335 N. Green . . . . . 27402
<b>OHIO</b>	<b>CARROLL</b>
Stebe's Mid-State Mower Supply . . . . .	Box 366, 71 High St. . . . . 43112
Bleckrie, Inc. . . . .	<b>CLEVELAND</b>
National Central . . . . .	7900 Lorain Ave. . . . . 44102
Burton Supply Co. . . . .	<b>WADSWORTH</b>
<b>OREGON</b>	687 Seville Rd. . . . . 44281
Kenton Supply Co. . . . .	<b>YOUNGSTOWN</b>
<b>PENNSYLVANIA</b>	1301 Logan Ave. Box 929 . . . . . 44501
EECO Inc. . . . .	<b>PORTLAND</b>
Thompson Rubber Co. . . . .	8216 N. Denver Ave. . . . . 97217
Bluemont Co. . . . .	<b>HARRISBURG</b>
Frank Roberts & Sons . . . . .	4021 N. 6th St. . . . . 17110
Scranton Auto Ignition Co. . . . .	<b>WILLOW GROVE</b>
<b>TENNESSEE</b>	850 Davisville Rd. . . . . 19090
Ace Distributors . . . . .	<b>PITTSBURGH</b>
American Sales & Service, Inc. . . . .	11125 Frankstown Rd. . . . . 15235
<b>TEXAS</b>	<b>PUNXSUTAWNEY</b>
Marr Brothers, Inc. . . . .	R.D. 2 . . . . . 15767
Woodson Sales Corp. . . . .	<b>SCRANTON</b>
Engine House Inc. . . . .	1133-35 Wyoming Ave. . . . . 18509
<b>UTAH</b>	<b>KNOXVILLE</b>
Powered Products . . . . .	2103 Magnolia . . . . . 37919
<b>VIRGINIA</b>	<b>MEMPHIS</b>
RBI Corp. . . . .	3035-43 Bellbrook . . . . . 38116
<b>WASHINGTON</b>	<b>DALLAS</b>
Equip. Northwest . . . . .	423 E. Jefferson . . . . . 75203
<b>WISCONSIN</b>	<b>FORT WORTH</b>
Wisconsin Magneto Inc. . . . .	6733 Baker Blvd. Hwy. 10 . . . . . 76118
	<b>SAN ANTONIO</b>
	8610 Botts Lane P.O. Box 17867 . . . . . 78217
	<b>SALT LAKE CITY</b>
	1661 N. Beck St. . . . . 84116
	<b>ASHLAND</b>
	101 Cedar Ridge Dr. . . . . 23005
	<b>SEATTLE</b>
	1410 14th Ave. . . . . 98122
	<b>MILWAUKEE</b>
	4727 N. Teutonia St. . . . . 53209

## WARRANTY PARTS AND SERVICE POLICY

(0686)

The purpose of warranty is to protect the customer from defects in workmanship and materials, defects which are NOT detected at the time of manufacture. It does not provide for the unlimited and unrestricted replacement of parts. Use and maintenance are the responsibility of the customer. The manufacturer cannot assume responsibility for conditions over which it has not control. Simply put, if it's the manufacturer's fault, it's the manufacturer's responsibility; if it's the customer's fault, it's the customer's responsibility.

### CLAIMS AGAINST THE MANUFACTURER'S WARRANTY INCLUDES:

1. Replacement of Missing Parts on new equipment.
2. Replacement of Defective Parts within the warranty period.
3. Repair of Defects within the warranty period.

All claims MUST be substantiated with the following information:

1. Model Number, Serial Number and/or Data Code of unit involved.
2. Date unit was purchased or first put into service.
3. Date of Failure.
4. Nature of Failure.

MTD PRODUCTS INC • P.O. BOX 36900 • CLEVELAND, OHIO 44136