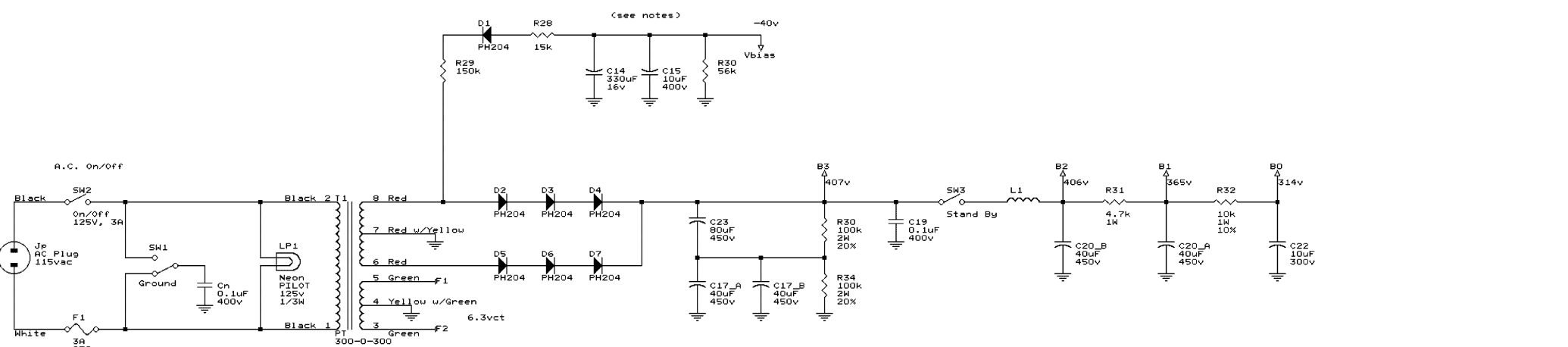


Front Panel Lineup:
 Channel 1 Channel 2 Volume 1 Volume 2 Treble Bass Expander Standby Pilot
 J4 J3 J2 J1 Volume 1 Volume 2 Treble Bass Low High On/Off

Rear Panel Lineup:
 Fuse Ground A.C On Ext Speaker Foot Switch
 Su Su Su J5 J6 (N/C)

Tube Lineup, as seen in order on chassis:
 7027A V5 7027A V4 12AX7A/7025A V3 12AX7A/7025A V2 12AX7A/7025A V1



Notes:
 Unless otherwise noted all resistors are 5%, 1/2 watt.
 The DC voltages shown are measured with all tubes in, 8ohm dummy load attached, no input and all other knobs at '5'.
 This schematic was created by tracing out an unmodified original amp.
 Wherever possible, the part reference designators (C1, R32, etc.) were kept the same as the corresponding items in the Oct 21, 1966 Traynor YBA-1 schematic.
 Some units do not have C15 installed.
 While different than YBA-1/Fender Bassman, the configuration of C14/C15 is consistent across multiple Lifco 1000 instances including the fact that C14 is only a 16v part - despite it being in a circuit that sees greater than 2x that amount.
 The use of a 330uF cap in the C14 location makes for a very slow ramp of the bias voltage at power-up. It can take 90 seconds or more to reach full value.
 C24 is believed to be an original component in the unit reviewed - but it is not present in other units seen.
 Please send any comments or corrections to ac151@ncf.ca

| | |
|---------------------------------------|-------------------------------|
| Transcribed by ac151@ncf.ca | |
| Lifco Company Montreal CSA LR11639 | |
| Title | Model 1000 (No Tremolo) |
| Size | Document Number |
| C | 1/1 |
| Date: | December 9, 2016 Sheet 1 of 1 |