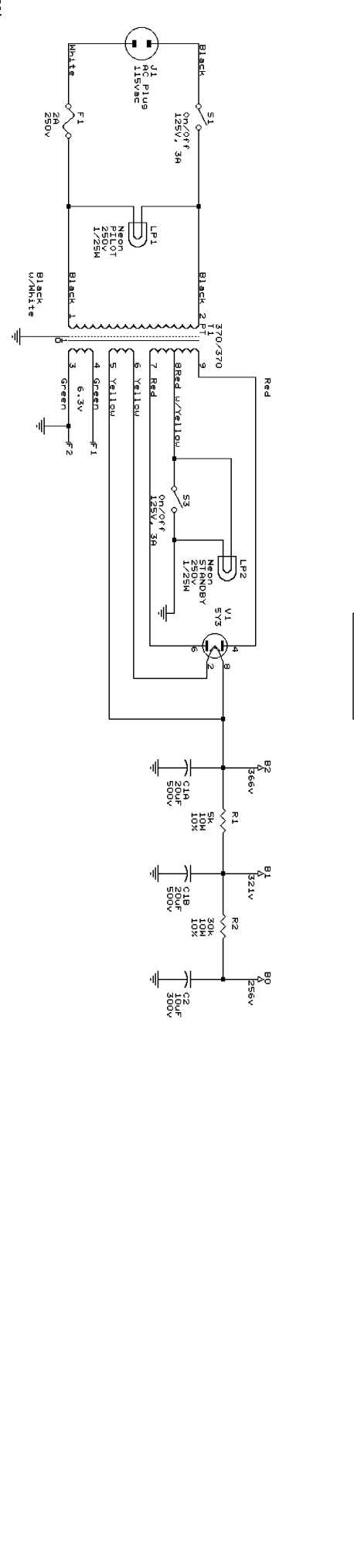
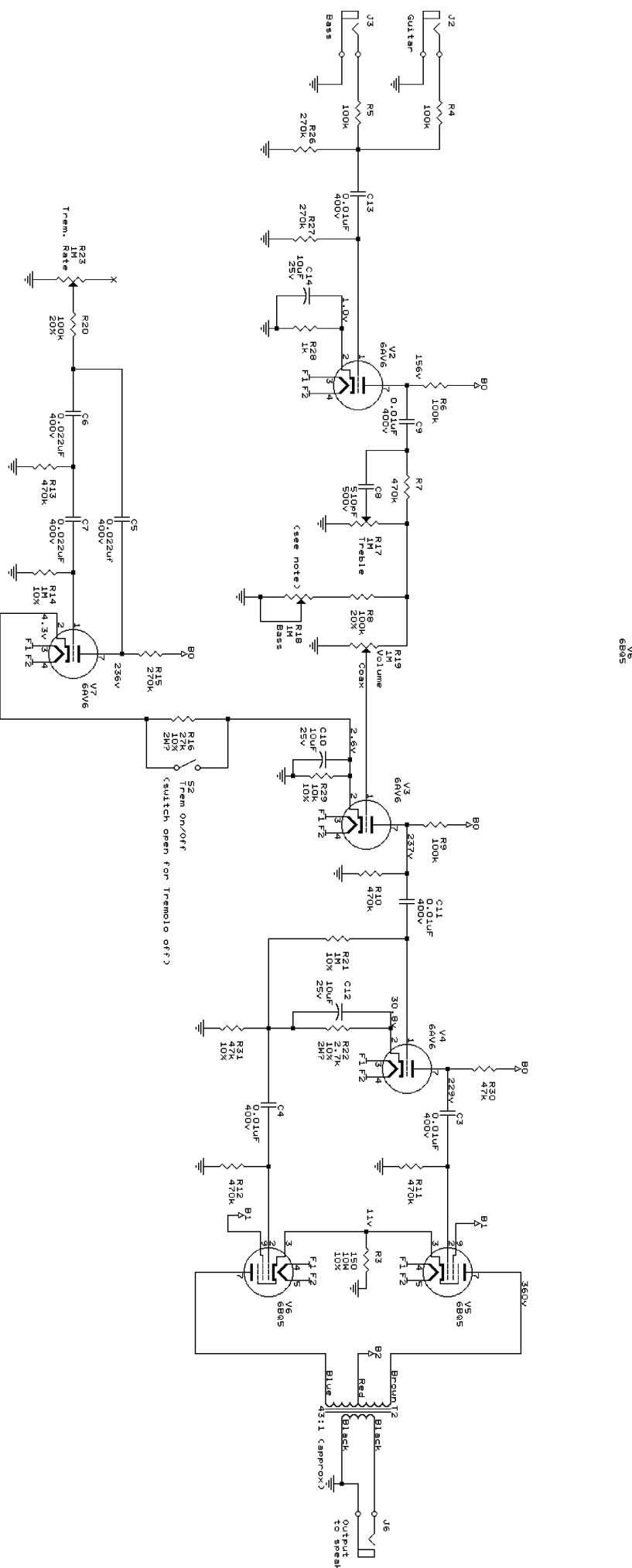


Tube Lineup, as seen in order on chassis:

V1	6BX5	V4	6AV6	V2	6AV6	V7	6AV6
V3	5Y3	V5	6AV6	V6	6AV6	Tremolo	Rate
V6	68S5	V8	6AV6	V9	6AV6	Volume	Treble
V7	68S5	V10	6AV6	V11	6AV6	Bass	Standby
V8	68S5	V12	6AV6	V13	6AV6	Pilot	Power
V9	68S5	V14	6AV6	V15	6AV6	Light	Fuse



Notes:

Unless otherwise noted all resistors are 5%, 1/2 watt.

The 68S5 and 68S6 are shown in the diagram with a 68S5 or 68S6. If a 68S5 or 68S6 is used, the 68S6 must be used as well.

This schematic was created by tracing out units available on hand and is intended as a reference only. It is not intended to be a production drawing.

The total resistance of the filament heaters is 250 ohms. This is the value that the Bass control really does not control Bass.

Further discussion of some controls on these amps is at the main web site.

Please send any comments or corrections to ac51@nrc.ca

Transcribed by ac51@nrc.ca
 Lifco Company Montreal
 CSR LRI1639
 Title Lifco Model 530 Tube Amp - 'New' Style
 Size Document Number 1/1
 Rev C
 Date: May 15, 2016 Sheet 1 of 2