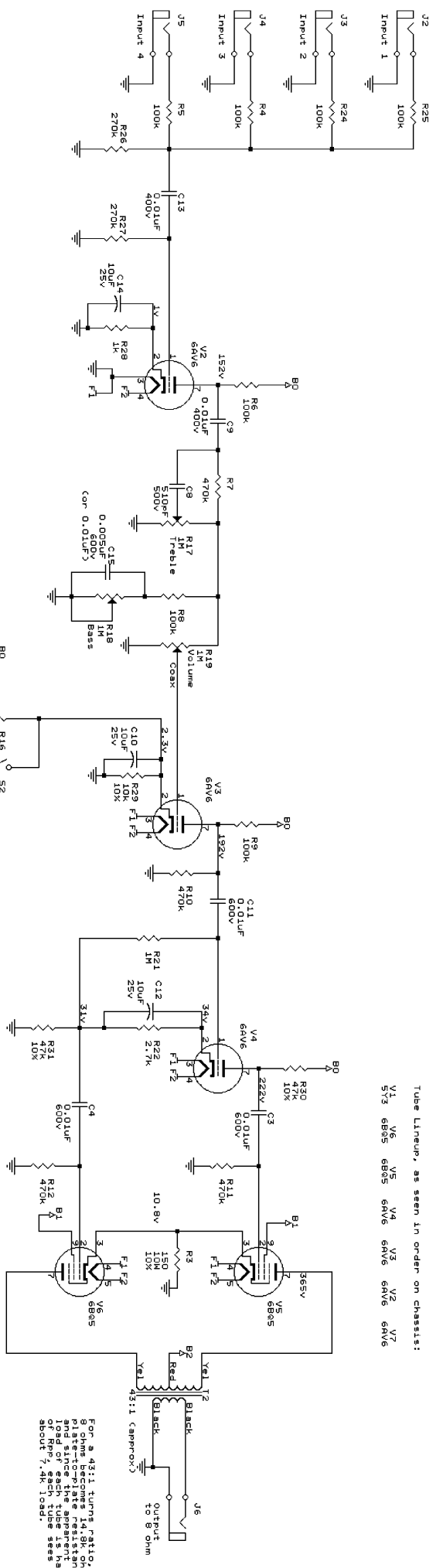
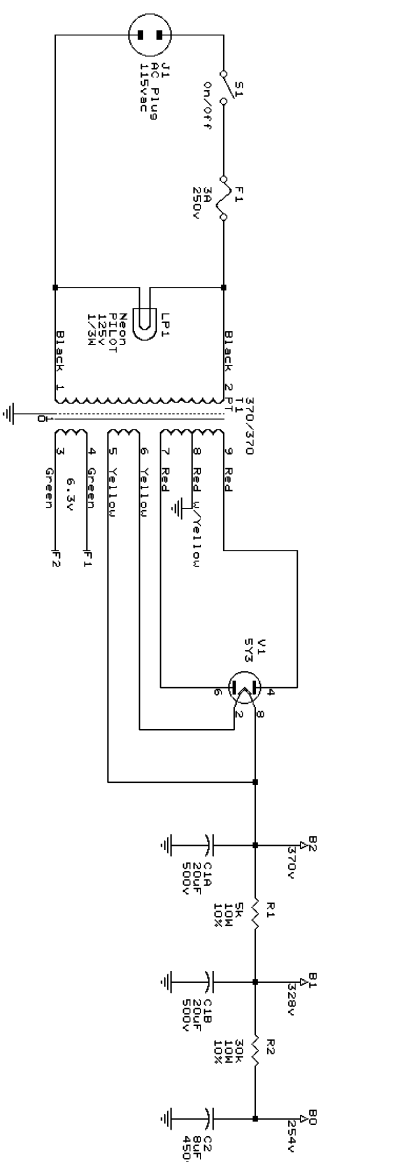
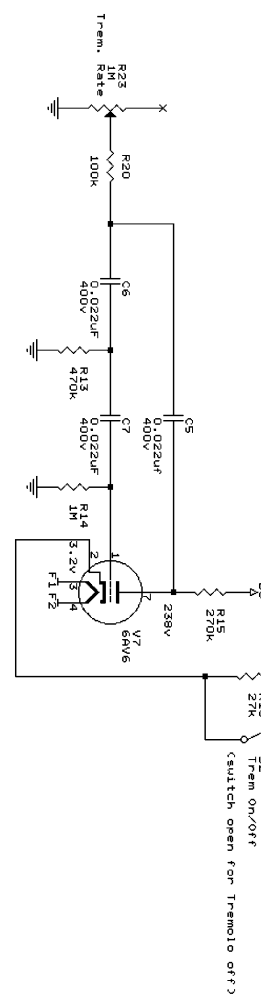


Front Panel Lineup:  
 Fuse Pilot On/Off Volume Bass Treble Instruments Tremolo  
 Light Switch

Tube Lineup, as seen in order on chassis:  
 V1 5Y3  
 V2 6AV6  
 V3 6AV6  
 V4 6AV6  
 V5 6AV6  
 V6 6AV6



For a 43:1 turns ratio, B1 gms becomes 1.44k gms and since the apparent load of each tube sees about 7.4k load.



Notes:  
 Unless otherwise noted all resistors are 5%, 1/2 watt.  
 The DC voltages shown are measured with all the other knobs and all other knobs at half.  
 This schematic was created by tracing out units available on hand.  
 This chassis is available in different configurations, some with a different speaker configuration, some with a different speaker configuration, some with a different speaker configuration.  
 Normalizing to a 0.01uF in some units and 0.005uF in other units. Per the unit on the web site, the 0.005uF value will give more bass control.

Please send any comments or corrections to act@liferco.ca

Transcribed by act@liferco.ca  
 Lifeco Model 630 Tube Amp  
 Lifeco Company Montreal  
 CSA LR11639

Title	Lifeco Model 630 Tube Amp
Size/Document Number	1/1
Rev	0.2
Date	Mar 15, 2015
Sheet	1 of 3